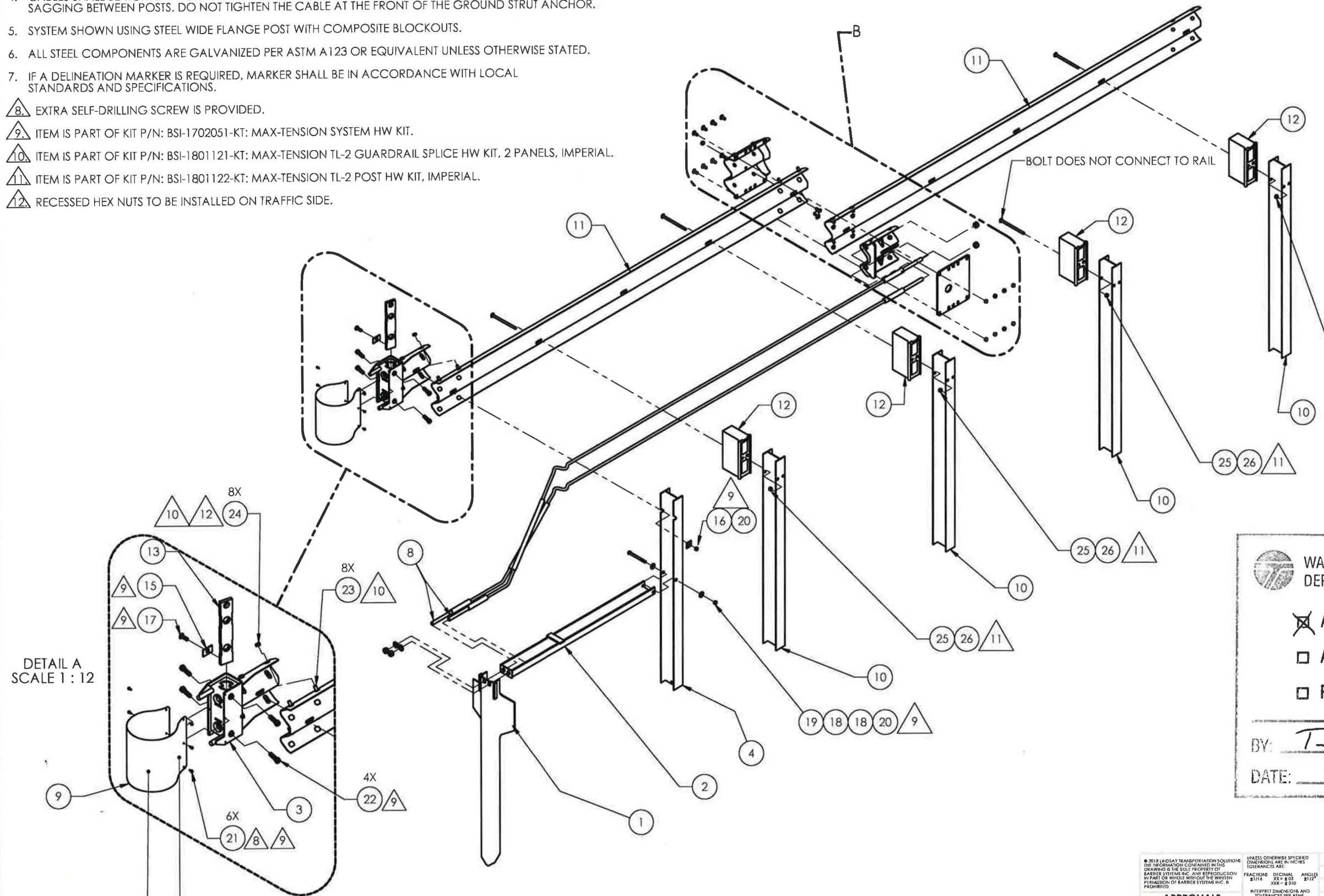


NOTES: UNLESS OTHERWISE SPECIFIED.

1. SYSTEM TO BE INSTALLED IN ACCORDANCE WITH MANUFACTURER'S INSTRUCTIONS.
2. SEE ASSEMBLY AND INSTALLATION MANUAL FOR ADDITIONAL DETAILS.
3. A DRIVING CAP WITH A TIMBER OR PLASTIC INSERT SHALL BE USED WHEN DRIVING THE POST TO PREVENT DAMAGE TO THE GALVANIZING ON THE TOP OF THE POST.
4. CABLES SHALL BE TIGHTENED USING THE HEX NUTS AT THE ISS PANEL UNTIL THEY ARE NOT VISIBLY SAGGING BETWEEN POSTS. DO NOT TIGHTEN THE CABLE AT THE FRONT OF THE GROUND STRUT ANCHOR.
5. SYSTEM SHOWN USING STEEL WIDE FLANGE POST WITH COMPOSITE BLOCKOUTS.
6. ALL STEEL COMPONENTS ARE GALVANIZED PER ASTM A 123 OR EQUIVALENT UNLESS OTHERWISE STATED.
7. IF A DELINEATION MARKER IS REQUIRED, MARKER SHALL BE IN ACCORDANCE WITH LOCAL STANDARDS AND SPECIFICATIONS.

- △8. EXTRA SELF-DRILLING SCREW IS PROVIDED.
- △9. ITEM IS PART OF KIT P/N: BSI-1702051-KT: MAX-TENSION SYSTEM HW KIT.
- △10. ITEM IS PART OF KIT P/N: BSI-1801121-KT: MAX-TENSION TL-2 GUARDRAIL SPLICE HW KIT, 2 PANELS, IMPERIAL.
- △11. ITEM IS PART OF KIT P/N: BSI-1801122-KT: MAX-TENSION TL-2 POST HW KIT, IMPERIAL.
- △12. RECESSED HEX NUTS TO BE INSTALLED ON TRAFFIC SIDE.

ITEM	PART NO.	DESCRIPTION	QTY.
1	BSI-1610060-00	SOIL ANCHOR, GALVANIZED	1
2	BSI-1610061-00	GROUNDSTRUT, GALVANIZED	1
3	BSI-1610062-00	IMPACT HEAD, CHASE THREADS	1
4	BSI-1610063-00	POST, I-BEAM, W6x9 6FT., GALVANIZED	1
5	BSI-1610064-00	TSS PANEL, GALVANIZED	1
6	BSI-1610065-00	ISS PANEL, GALVANIZED	1
7	BSI-1610067-00	RSS PLATE, GALVANIZED	1
8	BSI-1612013-00	CABLE ASSEMBLY, MAX-TENSION TL-2	2
9	BSI-1701063-00	BRACKET, DELINEATION, MAX-TENSION	1
10	BSI-1012078-00	LINE POST, X-LITE, GALV	4
11	BSI-4004386	W-BEAM GUARDRAIL, 4-SPACE, (RWM04a), 12 GAUGE	2
12	B090534	W-BEAM COMPOSITE BLOCKOUT BIN, XT110	4
13	B061058	CABLE FRICTION PLATE, HEAD UNIT	1
BSI-1702051-KT: MAX-TENSION SYSTEM HW KIT			
14	BSI-1610066-00	TOOTH, GEOMET	1
15	4002051	GUARDRAIL WSHR RECT AASHTO FWR03	1
16	BSI-1102027-00	WASHER, SQUARE, X-LITE	1
17	BSI-2001888	Bolt CH 5/8-11x2 Fully Threaded, Gr5 Geomet	1
18	2001636	Wshr 5/8 F436 Struct MGal	2
19	BSI-2001886	BOLT HH 5/8-11x7, 2in THREAS, Gr5, GEOMET	1
20	4001116	GUARDRAIL NUT RECESSED 5/8-11, Gr2 Mgal	3
21	BSI-2001887	SCREW SD, HH 1/4-14 x 3/4, 410SS	6
22	BSI-2001885	BOLT HH 3/4-10x3 FULLY THREADED, Gr5, GEOMET	4
BSI-1801121-KT: MAX-TENSION TL-2 GUARDRAIL SPLICE HW KIT, IMPERIAL			
23	4001115	GUARDRAIL BOLT 5/8-11 x 1 1/4, Gr2 Mgal	32
24	4001116	GUARDRAIL NUT RECESSED 5/8-11, Gr2 Mgal	32
BSI-1801122-KT: MAX-TENSION TL-2 POST HW KIT, IMPERIAL			
25	2001840	GUARDRAIL BOLT 5/8-11 X 10, MGAL	4
26	4001116	GUARDRAIL NUT RECESSED 5/8-11, GR-2 MGAL	4
27	MANMAX2	MAX-TENSION INSTALLATION MANUAL TL-2	1



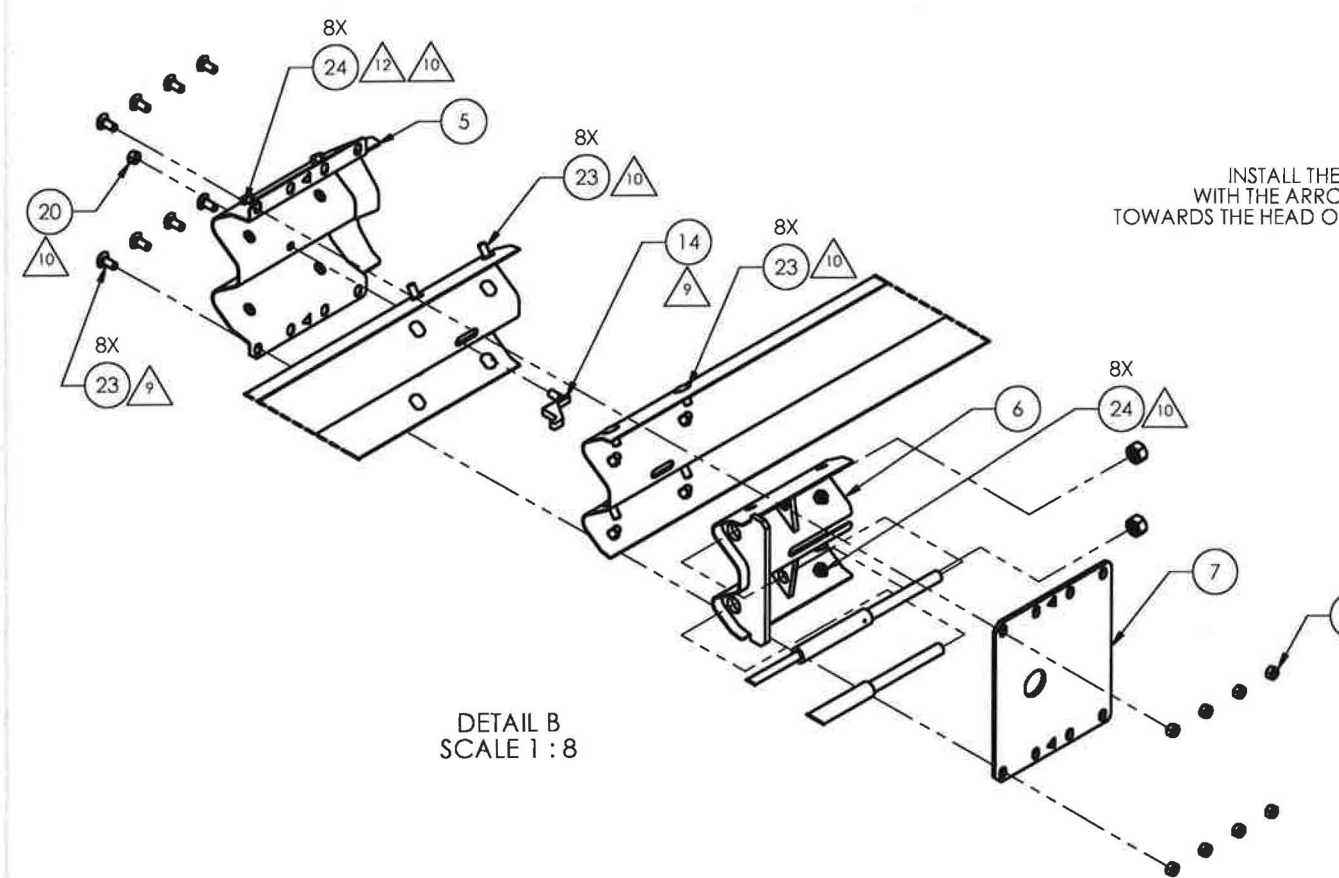
WASHINGTON STATE DEPARTMENT OF TRANSPORTATION P. 1 of 2

Approved
 Approved with revision
 Rejected

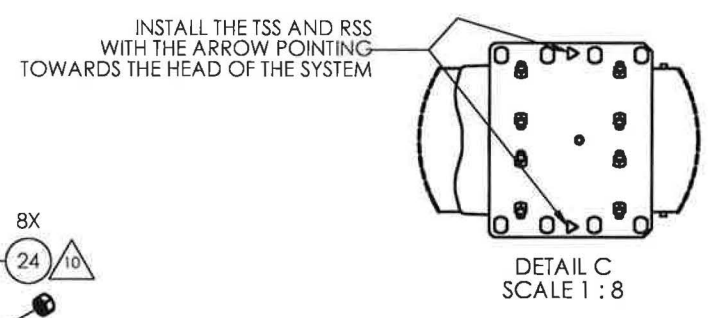
BY: T. M. M.
 DATE: 5/1/19

© 2018 LINDSAY TRANSPORTATION SOLUTIONS
 THE INFORMATION CONTAINED IN THIS DRAWING IS THE SOLE PROPERTY OF LINDSAY TRANSPORTATION SOLUTIONS. ANY REPRODUCTION OR TRANSMISSION OF THIS DRAWING WITHOUT THE WRITTEN PERMISSION OF LINDSAY TRANSPORTATION SOLUTIONS IS PROHIBITED.

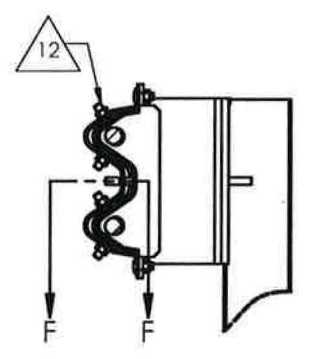
UNLESS OTHERWISE SPECIFIED DIMENSIONS ARE IN INCHES TOLERANCES ARE:
 FRACTIONS DECIMAL ANGLES
 3/16 .015 .015
 1/4 .015 .015
 3/8 .015 .015
 1/2 .015 .015
 3/4 .015 .015
 1 .015 .015
 1 1/4 .015 .015
 1 1/2 .015 .015
 2 .015 .015
 3 .015 .015
 4 .015 .015
 5 .015 .015
 6 .015 .015
 8 .015 .015
 10 .015 .015
 12 .015 .015
 14 .015 .015
 16 .015 .015
 18 .015 .015
 20 .015 .015
 24 .015 .015
 30 .015 .015
 36 .015 .015
 48 .015 .015
 60 .015 .015
 72 .015 .015
 96 .015 .015
 120 .015 .015
 144 .015 .015
 180 .015 .015
 216 .015 .015
 240 .015 .015
 300 .015 .015
 360 .015 .015
 480 .015 .015
 600 .015 .015
 720 .015 .015
 960 .015 .015
 1200 .015 .015
 1440 .015 .015
 1800 .015 .015
 2160 .015 .015
 2400 .015 .015
 3000 .015 .015
 3600 .015 .015
 4800 .015 .015
 6000 .015 .015
 7200 .015 .015
 9600 .015 .015
 12000 .015 .015
 14400 .015 .015
 18000 .015 .015
 21600 .015 .015
 24000 .015 .015
 30000 .015 .015
 36000 .015 .015
 48000 .015 .015
 60000 .015 .015
 72000 .015 .015
 96000 .015 .015
 120000 .015 .015
 144000 .015 .015
 180000 .015 .015
 216000 .015 .015
 240000 .015 .015
 300000 .015 .015
 360000 .015 .015
 480000 .015 .015
 600000 .015 .015
 720000 .015 .015
 960000 .015 .015
 1200000 .015 .015
 1440000 .015 .015
 1800000 .015 .015
 2160000 .015 .015
 2400000 .015 .015
 3000000 .015 .015
 3600000 .015 .015
 4800000 .015 .015
 6000000 .015 .015
 7200000 .015 .015
 9600000 .015 .015
 12000000 .015 .015
 14400000 .015 .015
 18000000 .015 .015
 21600000 .015 .015
 24000000 .015 .015
 30000000 .015 .015
 36000000 .015 .015
 48000000 .015 .015
 60000000 .015 .015
 72000000 .015 .015
 96000000 .015 .015
 120000000 .015 .015
 144000000 .015 .015
 180000000 .015 .015
 216000000 .015 .015
 240000000 .015 .015
 300000000 .015 .015
 360000000 .015 .015
 480000000 .015 .015
 600000000 .015 .015
 720000000 .015 .015
 960000000 .015 .015
 1200000000 .015 .015
 1440000000 .015 .015
 1800000000 .015 .015
 2160000000 .015 .015
 2400000000 .015 .015
 3000000000 .015 .015
 3600000000 .015 .015
 4800000000 .015 .015
 6000000000 .015 .015
 7200000000 .015 .015
 9600000000 .015 .015
 12000000000 .015 .015
 14400000000 .015 .015
 18000000000 .015 .015
 21600000000 .015 .015
 24000000000 .015 .015
 30000000000 .015 .015
 36000000000 .015 .015
 48000000000 .015 .015
 60000000000 .015 .015
 72000000000 .015 .015
 96000000000 .015 .015
 120000000000 .015 .015
 144000000000 .015 .015
 180000000000 .015 .015
 216000000000 .015 .015
 240000000000 .015 .015
 300000000000 .015 .015
 360000000000 .015 .015
 480000000000 .015 .015
 600000000000 .015 .015
 720000000000 .015 .015
 960000000000 .015 .015
 1200000000000 .015 .015
 1440000000000 .015 .015
 1800000000000 .015 .015
 2160000000000 .015 .015
 2400000000000 .015 .015
 3000000000000 .015 .015
 3600000000000 .015 .015
 4800000000000 .015 .015
 6000000000000 .015 .015
 7200000000000 .015 .015
 9600000000000 .015 .015
 12000000000000 .015 .015
 14400000000000 .015 .015
 18000000000000 .015 .015
 21600000000000 .015 .015
 24000000000000 .015 .015
 30000000000000 .015 .015
 36000000000000 .015 .015
 48000000000000 .015 .015
 60000000000000 .015 .015
 72000000000000 .015 .015
 96000000000000 .015 .015
 120000000000000 .015 .015
 144000000000000 .015 .015
 180000000000000 .015 .015
 216000000000000 .015 .015
 240000000000000 .015 .015
 300000000000000 .015 .015
 360000000000000 .015 .015
 480000000000000 .015 .015
 600000000000000 .015 .015
 720000000000000 .015 .015
 960000000000000 .015 .015
 1200000000000000 .015 .015
 1440000000000000 .015 .015
 1800000000000000 .015 .015
 2160000000000000 .015 .015
 2400000000000000 .015 .015
 3000000000000000 .015 .015
 3600000000000000 .015 .015
 4800000000000000 .015 .015
 6000000000000000 .015 .015
 7200000000000000 .015 .015
 9600000000000000 .015 .015
 12000000000000000 .015 .015
 14400000000000000 .015 .015
 18000000000000000 .015 .015
 21600000000000000 .015 .015
 24000000000000000 .015 .015
 30000000000000000 .015 .015
 36000000000000000 .015 .015
 48000000000000000 .015 .015
 60000000000000000 .015 .015
 72000000000000000 .015 .015
 96000000000000000 .015 .015
 120000000000000000 .015 .015
 144000000000000000 .015 .015
 180000000000000000 .015 .015
 216000000000000000 .015 .015
 240000000000000000 .015 .015
 300000000000000000 .015 .015
 360000000000000000 .015 .015
 480000000000000000 .015 .015
 600000000000000000 .015 .015
 720000000000000000 .015 .015
 960000000000000000 .015 .015
 1200000000000000000 .015 .015
 1440000000000000000 .015 .015
 1800000000000000000 .015 .015
 2160000000000000000 .015 .015
 2400000000000000000 .015 .015
 3000000000000000000 .015 .015
 3600000000000000000 .015 .015
 4800000000000000000 .015 .015
 6000000000000000000 .015 .015
 7200000000000000000 .015 .015
 9600000000000000000 .015 .015
 12000000000000000000 .015 .015
 14400000000000000000 .015 .015
 18000000000000000000 .015 .015
 21600000000000000000 .015 .015
 24000000000000000000 .015 .015
 30000000000000000000 .015 .015
 36000000000000000000 .015 .015
 48000000000000000000 .015 .015
 60000000000000000000 .015 .015
 72000000000000000000 .015 .015
 96000000000000000000 .015 .015
 120000000000000000000 .015 .015
 144000000000000000000 .015 .015
 180000000000000000000 .015 .015
 216000000000000000000 .015 .015
 240000000000000000000 .015 .015
 300000000000000000000 .015 .015
 360000000000000000000 .015 .015
 480000000000000000000 .015 .015
 600000000000000000000 .015 .015
 720000000000000000000 .015 .015
 960000000000000000000 .015 .015
 1200000000000000000000 .015 .015
 1440000000000000000000 .015 .015
 1800000000000000000000 .015 .015
 2160000000000000000000 .015 .015
 2400000000000000000000 .015 .015
 3000000000000000000000 .015 .015
 3600000000000000000000 .015 .015
 4800000000000000000000 .015 .015
 6000000000000000000000 .015 .015
 7200000000000000000000 .015 .015
 9600000000000000000000 .015 .015
 12000000000000000000000 .015 .015
 14400000000000000000000 .015 .015
 18000000000000000000000 .015 .015
 21600000000000000000000 .015 .015
 24000000000000000000000 .015 .015
 30000000000000000000000 .015 .015
 36000000000000000000000 .015 .015
 48000000000000000000000 .015 .015
 60000000000000000000000 .015 .015
 72000000000000000000000 .015 .015
 96000000000000000000000 .015 .015
 120000000000000000000000 .015 .015
 144000000000000000000000 .015 .015
 180000000000000000000000 .015 .015
 216000000000000000000000 .015 .015
 240000000000000000000000 .015 .015
 300000000000000000000000 .015 .015
 360000000000000000000000 .015 .015
 480000000000000000000000 .015 .015
 600000000000000000000000 .015 .015
 720000000000000000000000 .015 .015
 960000000000000000000000 .015 .015
 1200000000000000000000000 .015 .015
 1440000000000000000000000 .015 .015
 1800000000000000000000000 .015 .015
 2160000000000000000000000 .015 .015
 2400000000000000000000000 .015 .015
 3000000000000000000000000 .015 .015
 3600000000000000000000000 .015 .015
 4800000000000000000000000 .015 .015
 6000000000000000000000000 .015 .015
 7200000000000000000000000 .015 .015
 9600000000000000000000000 .015 .015
 12000000000000000000000000 .015 .015
 14400000000000000000000000 .015 .015
 18000000000000000000000000 .015 .015
 21600000000000000000000000 .015 .015
 24000000000000000000000000 .015 .015
 30000000000000000000000000 .015 .015
 36000000000000000000000000 .015 .015
 48000000000000000000000000 .015 .015
 60000000000000000000000000 .015 .015
 72000000000000000000000000 .015 .015
 96000000000000000000000000 .015 .015
 120000000000000000000000000 .015 .015
 144000000000000000000000000 .015 .015
 180000000000000000000000000 .015 .015
 216000000000000000000000000 .015 .015
 240000000000000000000000000 .015 .015
 300000000000000000000000000 .015 .015
 360000000000000000000000000 .015 .015
 480000000000000000000000000 .015 .015
 600000000000000000000000000 .015 .015
 720000000000000000000000000 .015 .015
 960000000000000000000000000 .015 .015
 1200000000000000000000000000 .015 .015
 1440000000000000000000000000 .015 .015
 1800000000000000000000000000 .015 .015
 2160000000000000000000000000 .015 .015
 2400000000000000000000000000 .015 .015
 3000000000000000000000000000 .015 .015
 3600000000000000000000000000 .015 .015
 4800000000000000000000000000 .015 .015
 6000000000000000000000000000 .015 .015
 7200000000000000000000000000 .015 .015
 9600000000000000000000000000 .015 .015
 12000000000000000000000000000 .015 .015
 14400000000000000000000000000 .015 .015
 18000000000000000000000000000 .015 .015
 21600000000000000000000000000 .015 .015
 24000000000000000000000000000 .015 .015
 30000000000000000000000000000 .015 .015
 36000000000000000000000000000 .015 .015
 48000000000000000000000000000 .015 .015
 60000000000000000000000000000 .015 .015
 72000000000000000000000000000 .015 .015
 96000000000000000000000000000 .015 .015
 120000000000000000000000000000 .015 .015
 144000000000000000000000000000 .015 .015
 180000000000000000000000000000 .015 .015
 216000000000000000000000000000 .015 .015
 240000000000000000000000000000 .015 .015
 300000000000000000000000000000 .015 .015
 360000000000000000000000000000 .015 .015
 480000000000000000000000000000 .015 .015
 600000000000000000000000000000 .015 .015
 720000000000000000000000000000 .015 .015
 960000000000000000000000000000 .015 .015
 1200000000000000000000000000000 .015 .015
 1440000000000000000000000000000 .015 .015
 1800000000000000000000000000000 .015 .015
 2160000000000000000000000000000 .015 .015
 2400000000000000000000000000000 .015 .015
 3



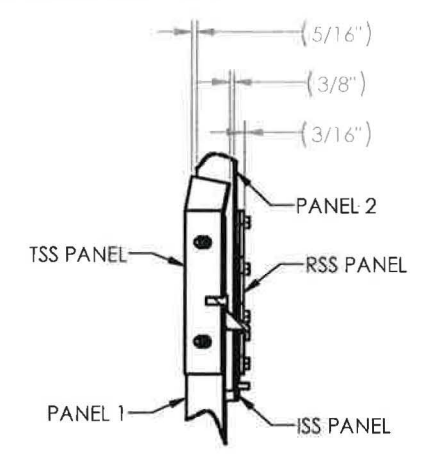
DETAIL B
SCALE 1 : 8



DETAIL C
SCALE 1 : 8



SECTION E-E
SCALE 1 : 8

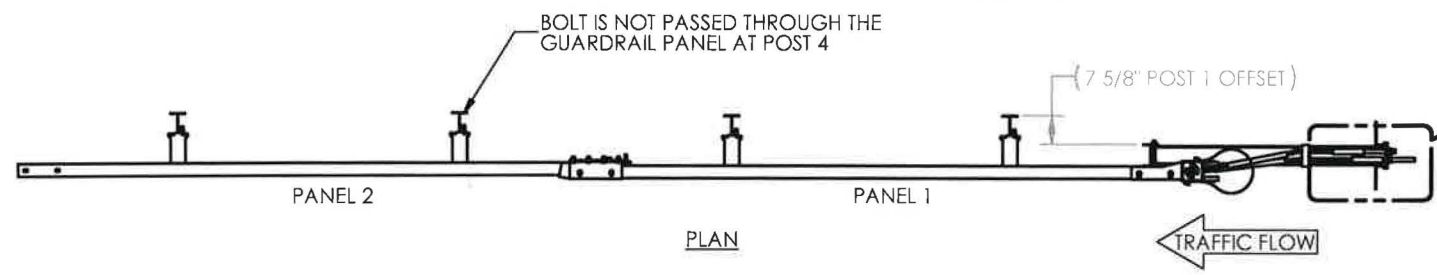


SECTION F-F
SCALE 1 : 8

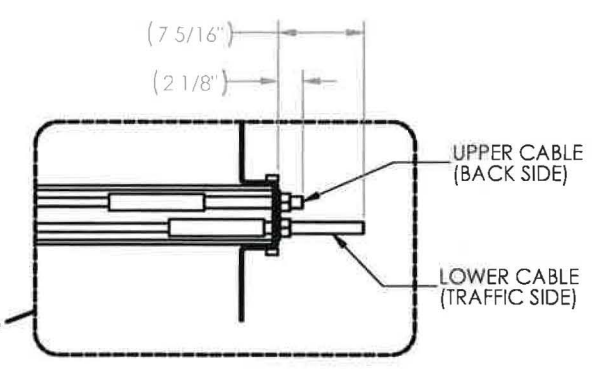
WASHINGTON STATE *p. 2 of 2*
DEPARTMENT OF TRANSPORTATION

Approved
 Approved with revision
 Rejected

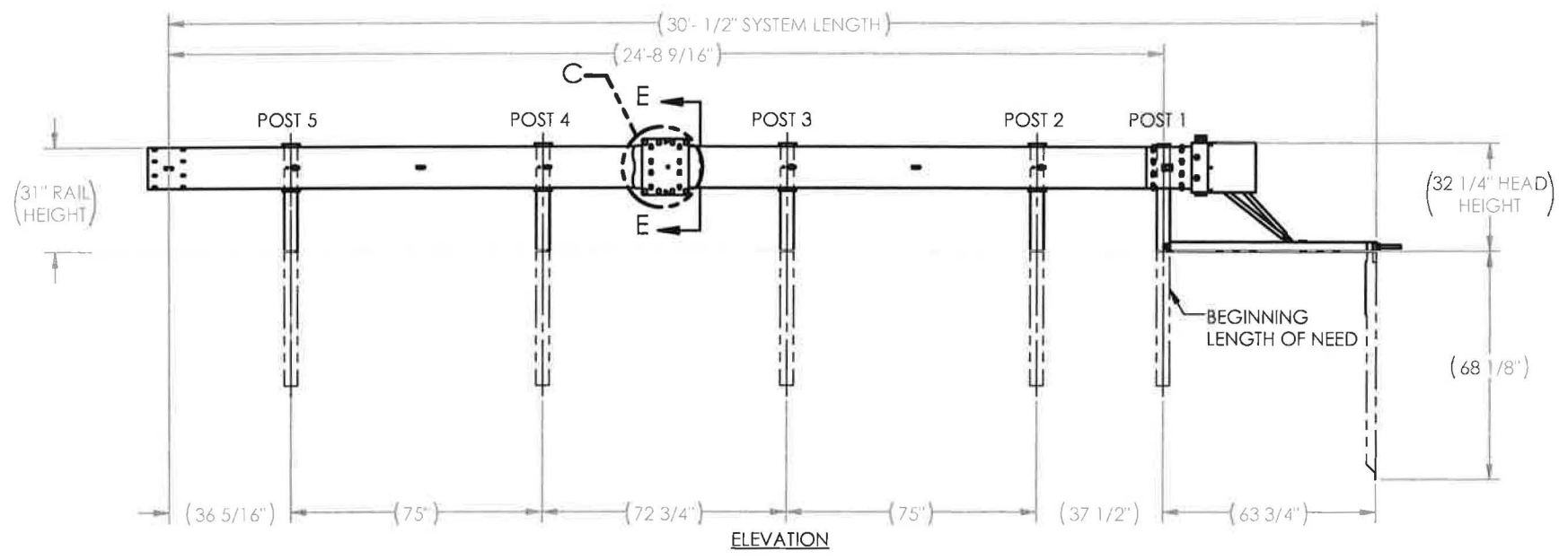
BY: *T. Mel*
 DATE: *5/1/19*



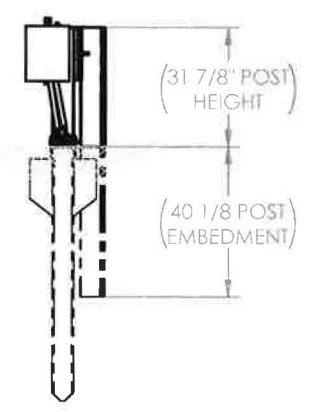
PLAN



DETAIL D
SCALE 1 : 8



ELEVATION



SIZE	DWG. NO.	REV.
D	BSI-1904113-AP	1
SCALE	1:48	SHEET 2 OF 2