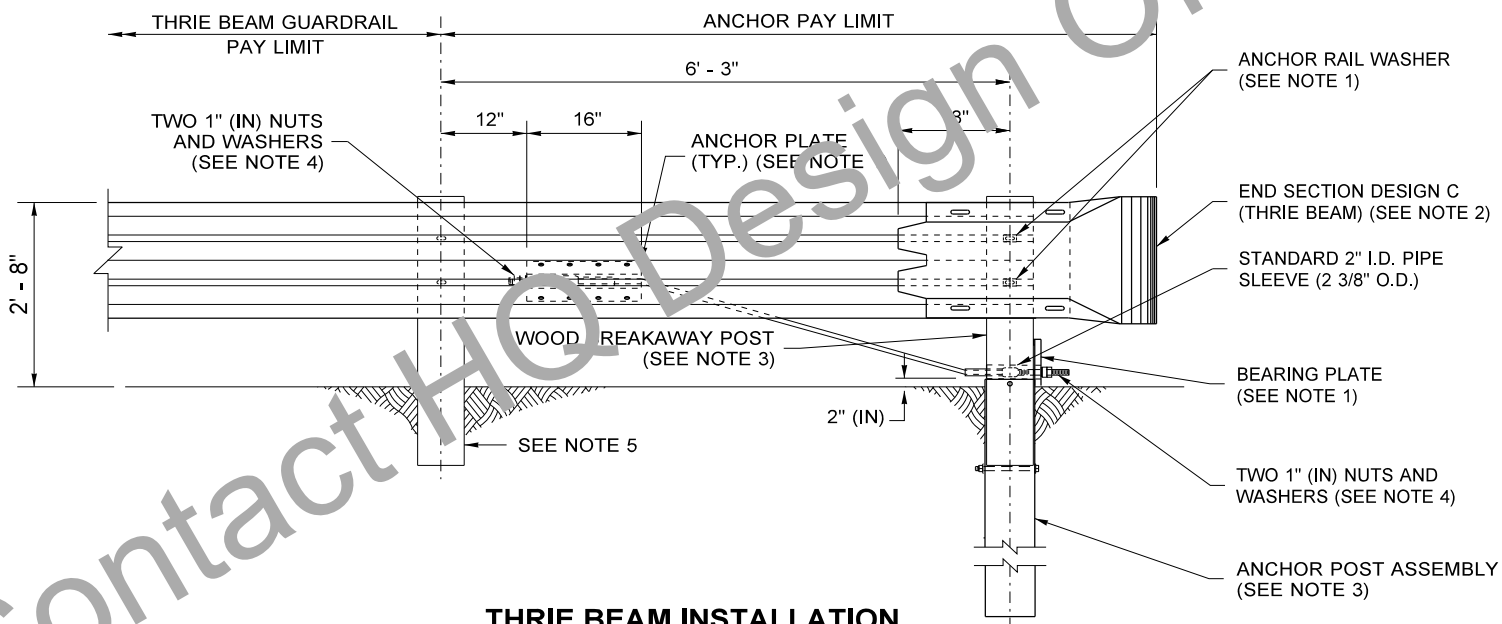


W BEAM INSTALLATION



THRIE BEAM INSTALLATION

BEAM GUARDRAIL TYPE 4 ANCHOR

NOTES

1. FOR ANCHOR DETAILS, SEE PLANSHEET LIBRARY C-6.
2. FOR END SECTION DETAILS SEE STANDARD PLAN C-7 OR C-7A.
3. FOR POST DETAILS, SEE STANDARD PLAN C-1B.
4. OUTSIDE NUT SHALL BE TORQUED AGAINST INSIDE NUT A MINIMUM OF 100 FT.-LBS.
5. POST AND BLOCK SHALL MATCH BEAM GUARDRAIL POSTS.

Contact HQ Design Office Before Using

|  |                |                  |      |                  |  |  |  |                       |  |
|--|----------------|------------------|------|------------------|--|--|--|-----------------------|--|
| FILE NAME S:\Design R P & S\4-Standards\2-Plan Sheet Library\02-PSL Work in Progress\C series conversion\TB-c6c\TB-c6c.dgn |                | REGION NO. STATE |      | FED.AID PROJ.NO. |  | <br>Washington State<br>Department of Transportation |  | Plot 1                |  |
| TIME 8:28:06 AM  | DATE 7/31/2018 | 10               | WASH |                  |  |  |  | PLAN REF NO<br>TB-C6c |  |
| PLOTTED BY liddelf   | DESIGNED BY    | JOB NUMBER       |      | LOCATION NO.     |  | SHEET<br>1<br>OF<br>1<br>SHEETS                      |  |                       |  |
| ENTERED BY   | CHECKED BY     | CONTRACT NO.     |      |                  |  |  |  |                       |  |
| PROJ. ENGR.  | REVISION       | DATE             | BY   | DATE             |  |  |  |                       |  |
| REGIONAL ADM.  |                |                  |      | DATE             |  |  |  |                       |  |