

**CHECK REQUIRED SPECIFICATION**

STANDARD
WSDOT / STATE CONTRACT NUMBER _____
SLIPNOT
GALVANIZED DIAMOND PLATE
BLACK

**GENERAL NOTES:**

LID TO BE TRAVIS INDUSTRIES PRODUCT, PART NUMBERS:

~~716-T802~~ - DIAMOND PLATE 716-S0120

~~716S0032~~ - SLIPNOT 716-S0120

FRAME PART #

716-T801 - DIAMOND PLATE

716-S0031 - SLIPNOT

CONCRETE WITH FIBERMESH REINF.

f'c @ 28 DAYS = 4000 PSI

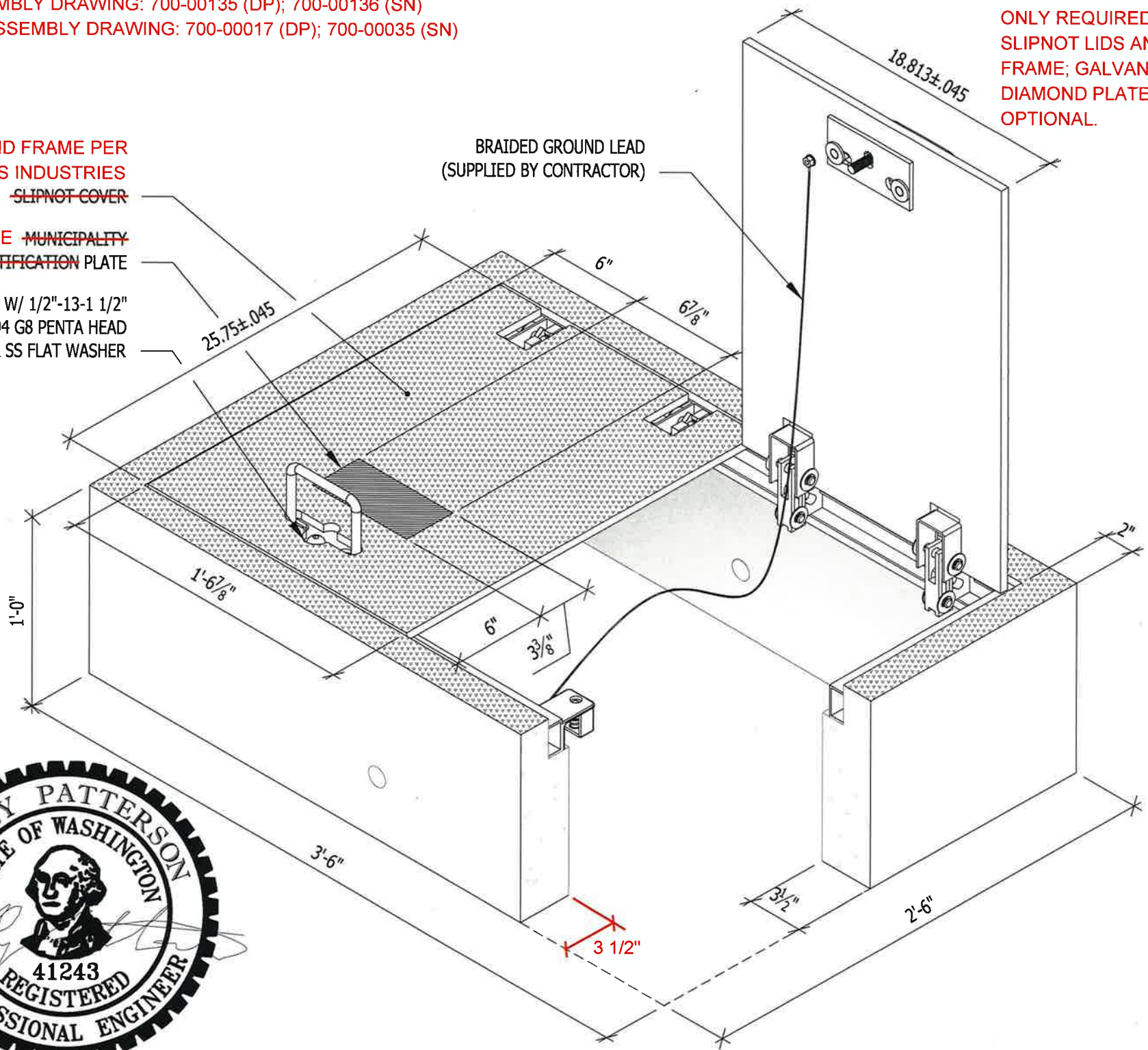
LID AND FRAME SHALL BE HOT-DIPPED GALVANIZED PER 9-29.2(1)A

NOTE: GALVANIZING ONLY REQUIRED FOR SLIPNOT LIDS AND FRAME; GALVANIZING DIAMOND PLATE IS OPTIONAL.

LID ASSEMBLY DRAWING: 700-00135 (DP); 700-00136 (SN)  
 FRAME ASSEMBLY DRAWING: 700-00017 (DP); 700-00035 (SN)

LID AND FRAME PER TRAVIS INDUSTRIES SLIPNOT COVER  
 NAME MUNICIPALITY IDENTIFICATION PLATE  
 1.5"φ HOLE W/ 1/2"-13-1 1/2" ASTM A194 G8 PENTA HEAD BOLT & SS FLAT WASHER

BRAIDED GROUND LEAD (SUPPLIED BY CONTRACTOR)



**GENERAL NOTES:**

THIS ASSEMBLY IS CONSTRUCTED AND TESTED TO CONFORM WITH WSDOT STANDARD SPECIFICATION 9-29.2(2), STANDARD DUTY JUNCTION BOXES 9-29.2(1)

**APPROVED AS NOTED**

Washington State Department of Transportation  
 HQ Traffic Operations Office

BY: *[Signature]* DATE: 5/13/2020

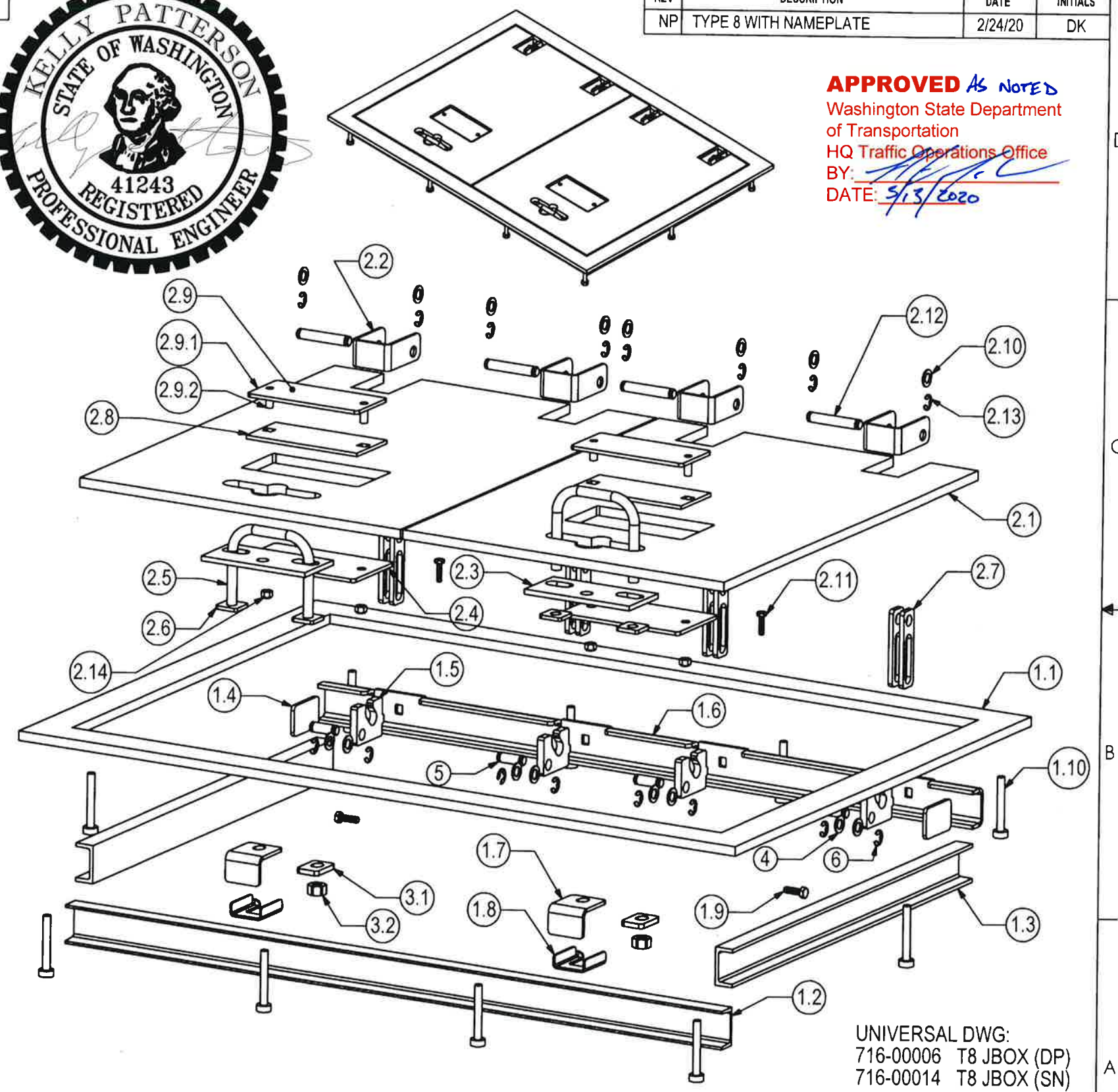
H<sup>2</sup> Pre-Cast Inc.  
 3835 N. Clemons  
 East Wenatchee, WA

Phone: (509) 884-6644  
 Fax: (509) 884-4567  
 Web: www.h2precast.com  
 © 2007 H<sup>2</sup> Pre-Cast Inc.

THE INFORMATION CONTAINED IN THIS DRAWING IS THE SOLE PROPERTY OF TRAVIS INDUSTRIES INC. ANY REPRODUCTION IN PART OR WHOLE WITHOUT THE WRITTEN PERMISSION OF TRAVIS INDUSTRIES INC. IS PROHIBITED.

REV	DESCRIPTION	DATE	INITIALS
NP	TYPE 8 WITH NAMEPLATE	2/24/20	DK

6	100-02319	E-RING, 1/2" - 316SS	316SS	8
5	100-11139	HINGE PIN, SM	316SS	4
4	100-03537	WASHER, FLAT-ANC 816, 316SS	316SS	8
3.2	101-00047	NUT, HEX(HEAVY) 1/2-13	316SS	1
3.1	716-L002	LOCK LATCH	A36HR	1
3	700-00005	LOCK TAB WELD ASSY		2
2.14	101-00011	NUT, HEX LOCK NYLON 3/8-16 SS	18-8SS	2
2.13	100-02319	E-RING, 1/2" - 316SS	316SS	4
2.12	100-11138	HINGE PIN, LARGE	316SS	2
2.11	101-00272	Ø1/4-20 X 1" HHCS (316SS)	316SS	1
2.10	100-03537	WASHER, FLAT-ANC 816, 316SS	316SS	4
2.9.2	101-00902	STUD, 3/8-16 x 1", SS	316SS	2
2.9.1	716-S0079	NAMEPLATE, BLANK STEEL	A36HR	1
2.9	700-00043	NAMEPLATE WELD ASS'Y		1
2.8	716-F0127	NAMEPLATE SPACER	A36HR	1
2.7	716-T805	HINGE SLIDE	A36HR	4
2.6	716-T807	HANDLE STOP	A36HR	2
2.5	716-T811	HANDLE	A36HR	1
2.4	716-S0005	NAME PLATE MOUNT	A36HR	1
2.3	716-T806	HANDLE PLATE	A36HR	1
2.2	716-T804	HINGE BLOCK	A36HR	2
2.1	716-S0124 716-S0125	DOOR, NP (DP) DOOR, NP (SN)	ASTM A786 FP	1
2	700-00135 700-00136	DOOR ASSY, NP (DP) DOOR ASSY, NP (SN)		2
1.10	101-00575	WELD-STUD, 3/8x3-1/8	C1015	10
1.9	101-00271	Ø5/16-18X1" HHCS 316SS	316SS	2
1.8	716-L004	LATCH GUIDE	A36HR	2
1.7	716-T812	LATCH HOUSING, T8	A36HR	2
1.6	716-T810	C-CHANNEL, HINGE	A36HR	1
1.5	716-T803	HINGE	A36HR	4
1.4	716-T813	FRAME FILLER	A36HR	2
1.3	716-T809	C-CHANNEL, SIDES	A36HR	2
1.2	716-T808	C-CHANNEL, FRONT	A36HR	1
1.1	716-T801 716-S0031	FRAME (DP) FRAME (SN)	ASTM A786 FP	1
1	700-00017 700-00035	FRAME ASSY; DP FRAME ASSY; SN		1
#	SKU#	DESCRIPTION	MAT'L	Q.



**APPROVED AS NOTED**  
 Washington State Department  
 of Transportation  
 HQ Traffic Operations Office  
 BY: *[Signature]*  
 DATE: 5/13/2020

TYPE 8 JUNCTION BOX - DOUBLE DOOR

UNIVERSAL DWG:  
 716-00006 T8 JBOX (DP)  
 716-00014 T8 JBOX (SN)

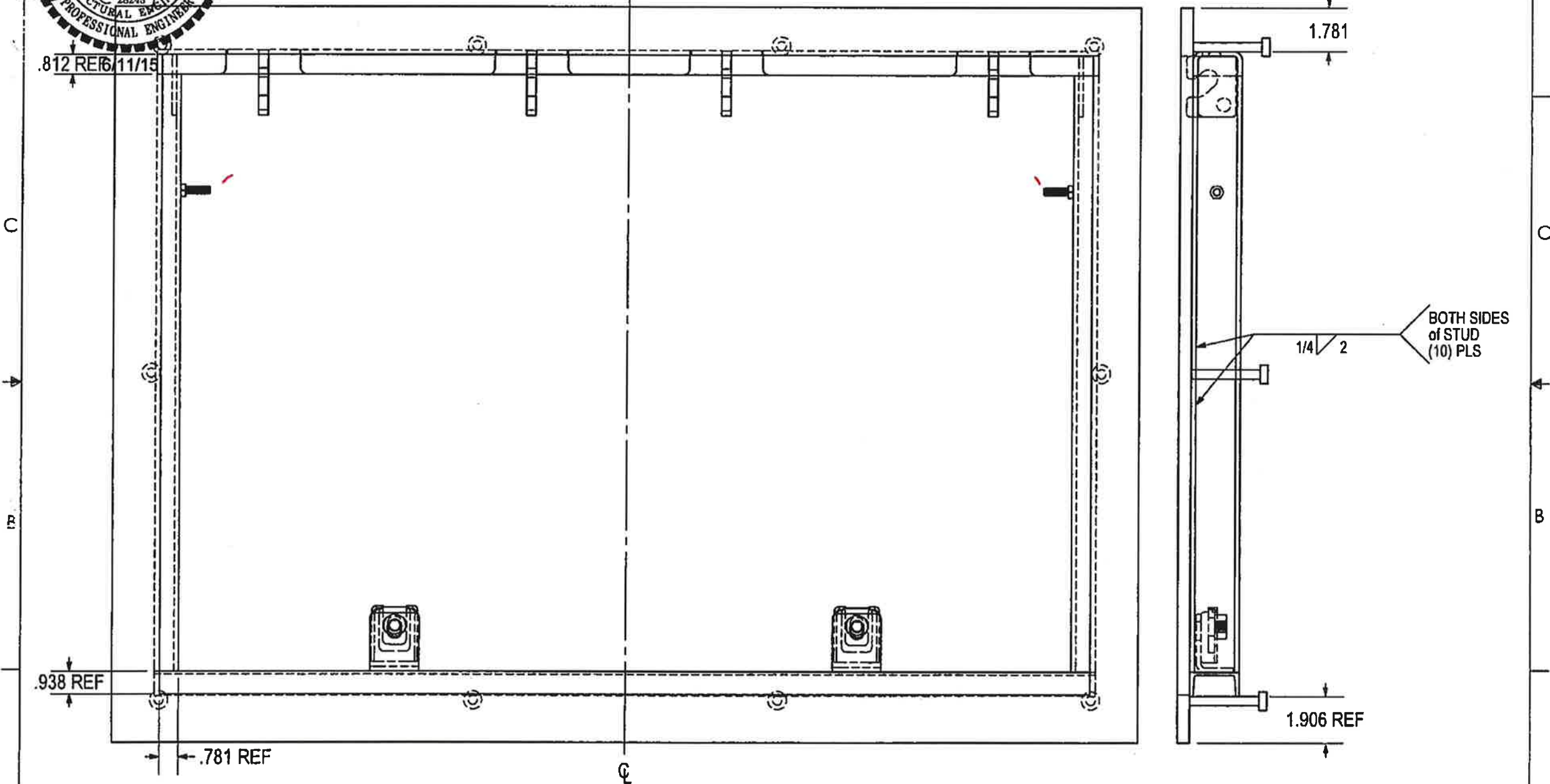
Manufactured by Travis Ind.			
TYPE 8 NAMEPLATE JBOX			
HOLES ± 0.030	SIZE A	DRAWN BY: DREW KEIM	SKU NUMBER: 716-00062
X.XXX ± 0.060		DATE CREATED: 2/24/20	716-00063
ANGLES ± 1.0°	SCALE: NONE	CAD FILE: TYPE 8 NP	SHEET 1 of 1.2

8 7 6 5 4 3 2 1

THE INFORMATION CONTAINED IN THIS DRAWING IS THE SOLE PROPERTY OF H<sup>3</sup> PRECAST INC. ANY REPRODUCTION IN PART OR WHOLE WITHOUT THE WRITTEN PERMISSION OF FM&M IS PROHIBITED.

This assembly is constructed and tested to conform with WSDOT Standard Specification ~~9-29.2(2)~~, Standard Duty Junction Boxes.  
9-29.2(1)

REV	DESCRIPTION	DATE	INITIALS
A	ADDED PART MAT'L INFO TO BOM.	5/23/14	DK



**APPROVED AS NOTED**  
 Washington State Department of Transportation  
 HQ Traffic Operations Office  
 BY: [Signature] DATE: 5/13/2020

TYPE 8 - FRAME POSITION

UNIVERSAL DWG:  
 716-00006 T8 JBOX (DP)  
 716-00014 T8 JBOX (SN)

Prepared for H<sup>3</sup> PRECAST INC.  
**TYPE 8 JUNCTION BOX**

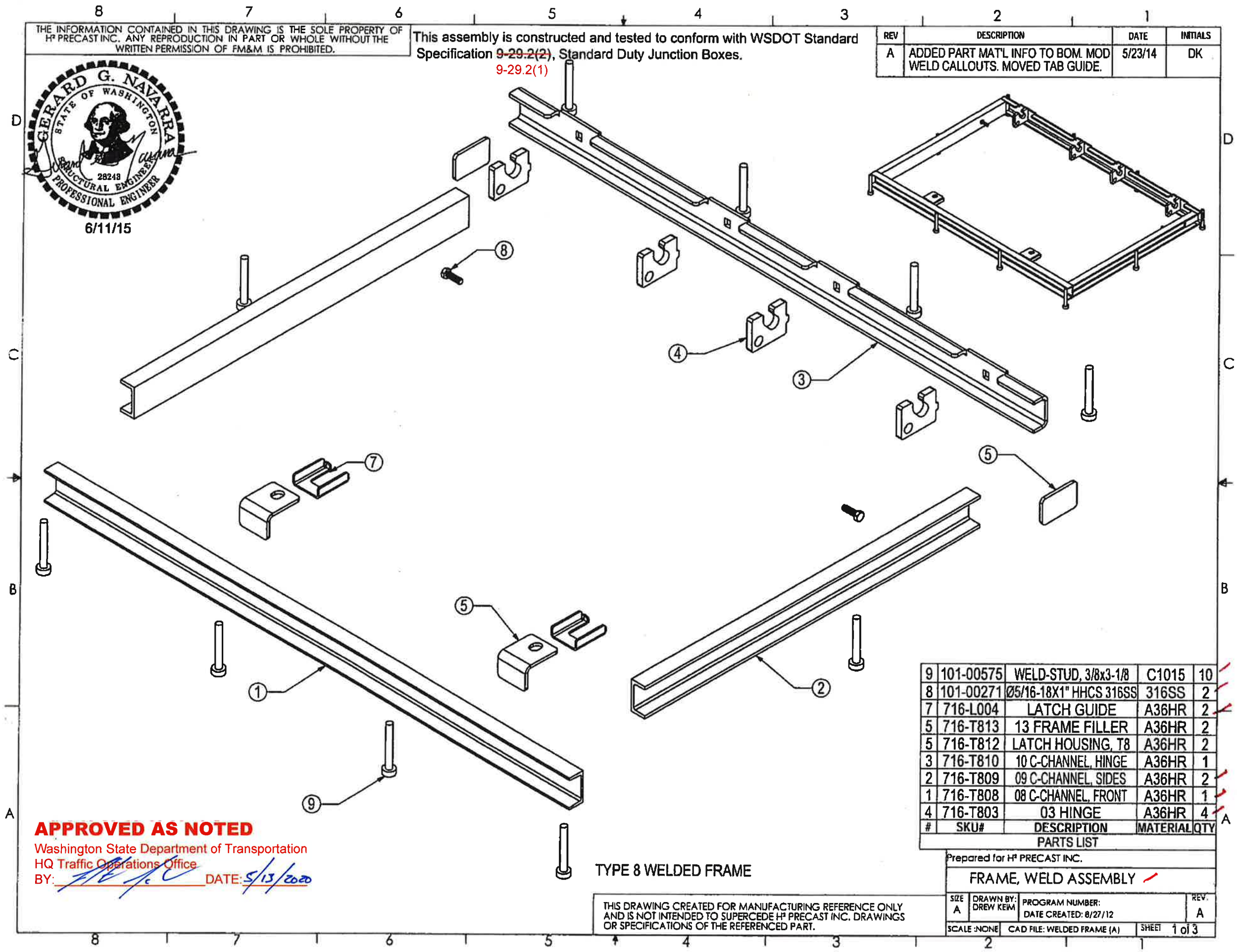
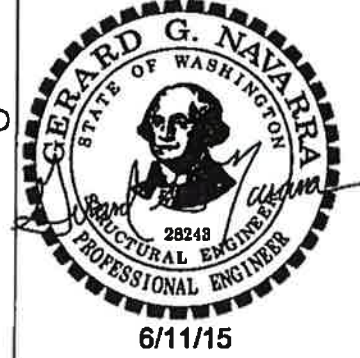
THIS DRAWING CREATED FOR MANUFACTURING REFERENCE ONLY AND IS NOT INTENDED TO SUPERCEDE H<sup>3</sup> PRECAST INC. DRAWINGS OR SPECIFICATIONS OF THE REFERENCED PART.

HOLES ± 0.030	SCALE: NONE	DRAWN BY: DREW KEIM	PROGRAM NUMBER: DATE CREATED: 7/26/12	REV. A
X.XXX ± 0.060	CAD FILE: TYPE 8 J BOX (A)			SHEET 2 of 2
ANGLES ± 1.0°				

THE INFORMATION CONTAINED IN THIS DRAWING IS THE SOLE PROPERTY OF H<sup>3</sup> PRECAST INC. ANY REPRODUCTION IN PART OR WHOLE WITHOUT THE WRITTEN PERMISSION OF FM&M IS PROHIBITED.

This assembly is constructed and tested to conform with WSDOT Standard Specification 9-29.2(2), Standard Duty Junction Boxes.  
9-29.2(1)

REV	DESCRIPTION	DATE	INITIALS
A	ADDED PART MAT'L INFO TO BOM. MOD WELD CALLOUTS. MOVED TAB GUIDE.	5/23/14	DK



#	SKU#	DESCRIPTION	MATERIAL	QTY
9	101-00575	WELD-STUD, 3/8x3-1/8	C1015	10
8	101-00271	Ø5/16-18X1" HHCS 316SS	316SS	2
7	716-L004	LATCH GUIDE	A36HR	2
5	716-T813	13 FRAME FILLER	A36HR	2
5	716-T812	LATCH HOUSING, T8	A36HR	2
3	716-T810	10 C-CHANNEL, HINGE	A36HR	1
2	716-T809	09 C-CHANNEL, SIDES	A36HR	2
1	716-T808	08 C-CHANNEL, FRONT	A36HR	1
4	716-T803	03 HINGE	A36HR	4

PARTS LIST

**APPROVED AS NOTED**

Washington State Department of Transportation  
HQ Traffic Operations Office  
BY: *[Signature]* DATE: 5/13/2020

TYPE 8 WELDED FRAME

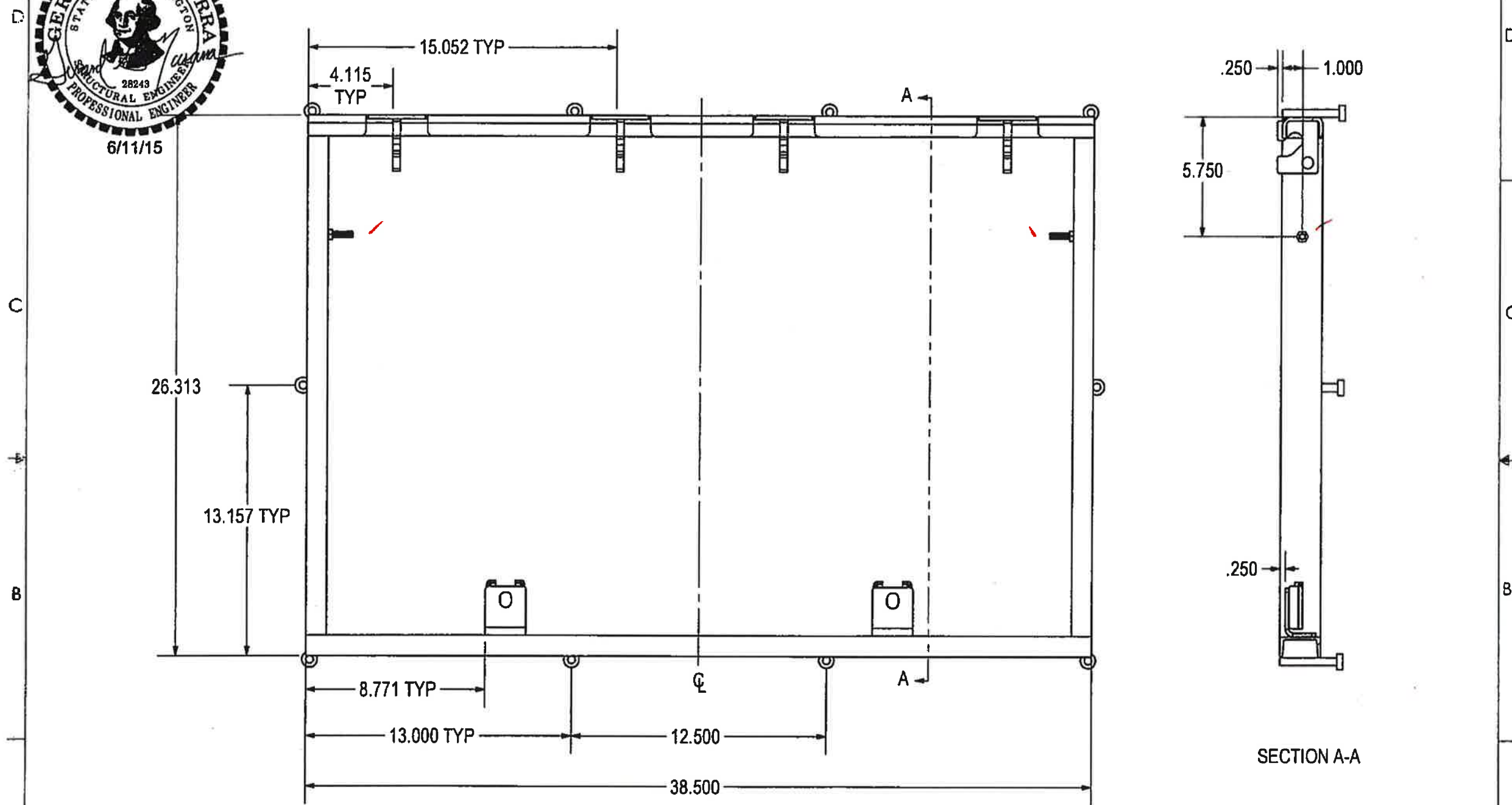
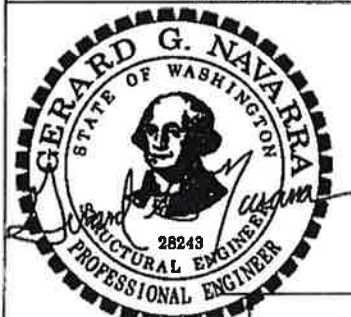
THIS DRAWING CREATED FOR MANUFACTURING REFERENCE ONLY AND IS NOT INTENDED TO SUPERCEDE H<sup>3</sup> PRECAST INC. DRAWINGS OR SPECIFICATIONS OF THE REFERENCED PART.

Prepared for H <sup>3</sup> PRECAST INC.			
FRAME, WELD ASSEMBLY			
SIZE A	DRAWN BY: DREW KEIM	PROGRAM NUMBER: DATE CREATED: 8/27/12	REV. A
SCALE: NONE	CAD FILE: WELDED FRAME (A)	SHEET 1 of 3	

THE INFORMATION CONTAINED IN THIS DRAWING IS THE SOLE PROPERTY OF H<sup>2</sup> PRECAST INC. ANY REPRODUCTION IN PART OR WHOLE WITHOUT THE WRITTEN PERMISSION OF FM&M IS PROHIBITED.

This assembly is constructed and tested to conform with WSDOT Standard Specification ~~9-29.2(2)~~, Standard Duty Junction Boxes.   
 9-29.2(1)

REV	DESCRIPTION	DATE	INITIALS
A	ADDED PART MAT'L INFO TO BOM. MOD WELD CALLOUTS. MOVED TAB GUIDE.	5/23/14	DK



**APPROVED AS NOTED**

Washington State Department of Transportation  
 HQ Traffic Operations Office  
 BY: *[Signature]* DATE: 5/13/2020

TYPE 8 WELDED FRAME

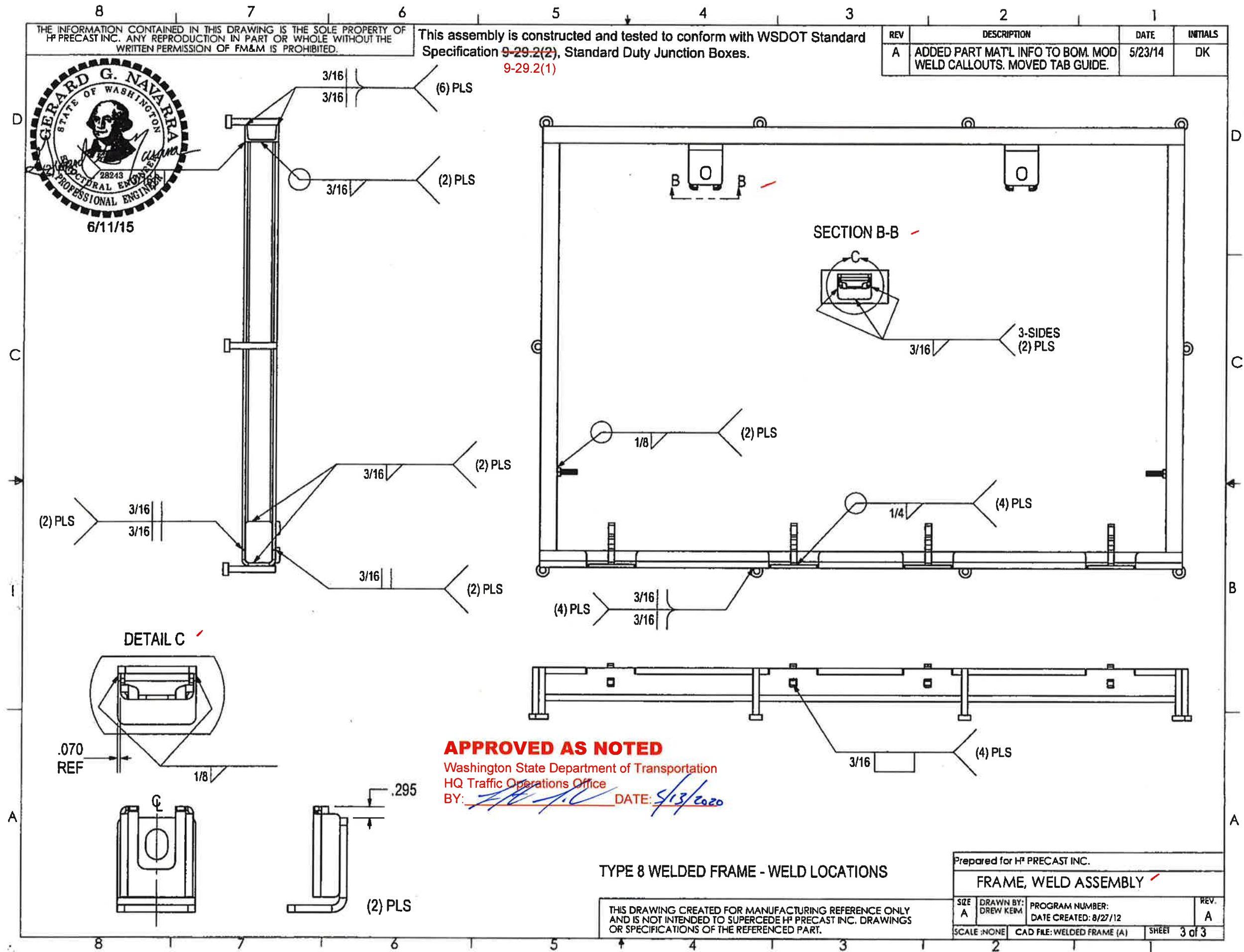
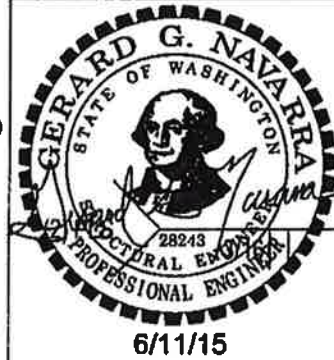
THIS DRAWING CREATED FOR MANUFACTURING REFERENCE ONLY AND IS NOT INTENDED TO SUPERCEDE H<sup>2</sup> PRECAST INC. DRAWINGS OR SPECIFICATIONS OF THE REFERENCED PART.

Prepared for H <sup>2</sup> PRECAST INC.			
FRAME, WELD ASSEMBLY			
SIZE A	DRAWN BY: DREW KEM	PROGRAM NUMBER: DATE CREATED: 8/27/12	REV. A
SCALE: NONE	CAD FILE: WELDED FRAME (A)	SHEET	2 of 3

THE INFORMATION CONTAINED IN THIS DRAWING IS THE SOLE PROPERTY OF HF PRECAST INC. ANY REPRODUCTION IN PART OR WHOLE WITHOUT THE WRITTEN PERMISSION OF FM&M IS PROHIBITED.

This assembly is constructed and tested to conform with WSDOT Standard Specification 9-29.2(2), Standard Duty Junction Boxes.

REV	DESCRIPTION	DATE	INITIALS
A	ADDED PART MAT'L INFO TO BOM. MOD WELD CALLOUTS. MOVED TAB GUIDE.	5/23/14	DK



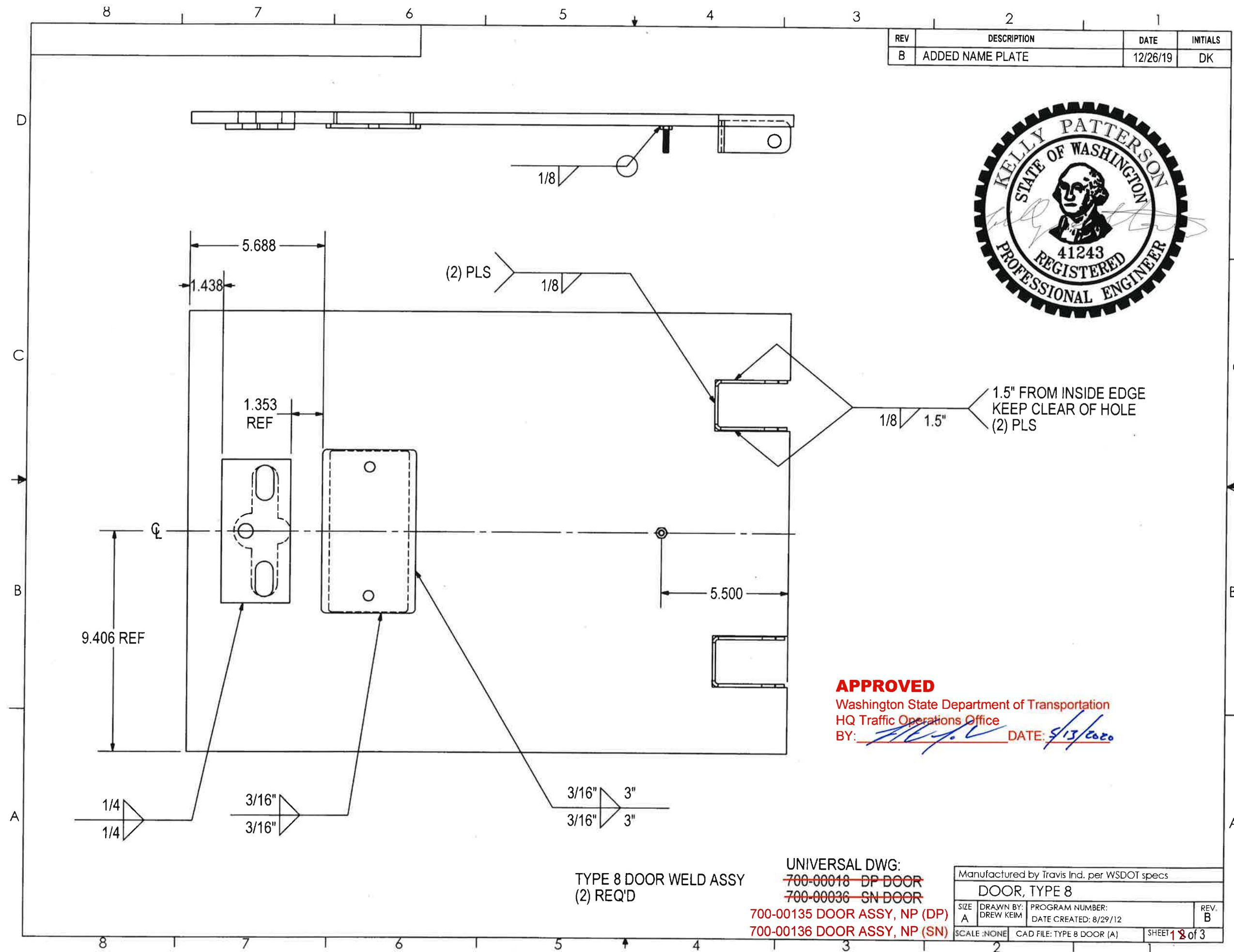
**APPROVED AS NOTED**  
 Washington State Department of Transportation  
 HQ Traffic Operations Office  
 BY: *[Signature]* DATE: 5/13/2020

**TYPE 8 WELDED FRAME - WELD LOCATIONS**

THIS DRAWING CREATED FOR MANUFACTURING REFERENCE ONLY AND IS NOT INTENDED TO SUPERCEDE HF PRECAST INC. DRAWINGS OR SPECIFICATIONS OF THE REFERENCED PART.

Prepared for HF PRECAST INC.			
FRAME, WELD ASSEMBLY			
SIZE A	DRAWN BY: DREW KEIM	PROGRAM NUMBER: DATE CREATED: 8/27/12	REV. A
SCALE: NONE	CAD FILE: WELDED FRAME (A)	SHEET 3 of 3	

REV	DESCRIPTION	DATE	INITIALS
B	ADDED NAME PLATE	12/26/19	DK



**APPROVED**  
 Washington State Department of Transportation  
 HQ Traffic Operations Office  
 BY: *[Signature]* DATE: *5/13/2020*

TYPE 8 DOOR WELD ASSY  
 (2) REQ'D

UNIVERSAL DWG:  
~~700-00018 DP DOOR~~  
~~700-00036 SN DOOR~~  
 700-00135 DOOR ASSY, NP (DP)  
 700-00136 DOOR ASSY, NP (SN)

Manufactured by Travis Ind. per WSDOT specs			
DOOR, TYPE 8			
SIZE A	DRAWN BY: DREW KEIM	PROGRAM NUMBER: DATE CREATED: 8/29/12	REV. B
SCALE: NONE	CAD FILE: TYPE 8 DOOR (A)	SHEET 1 of 3	

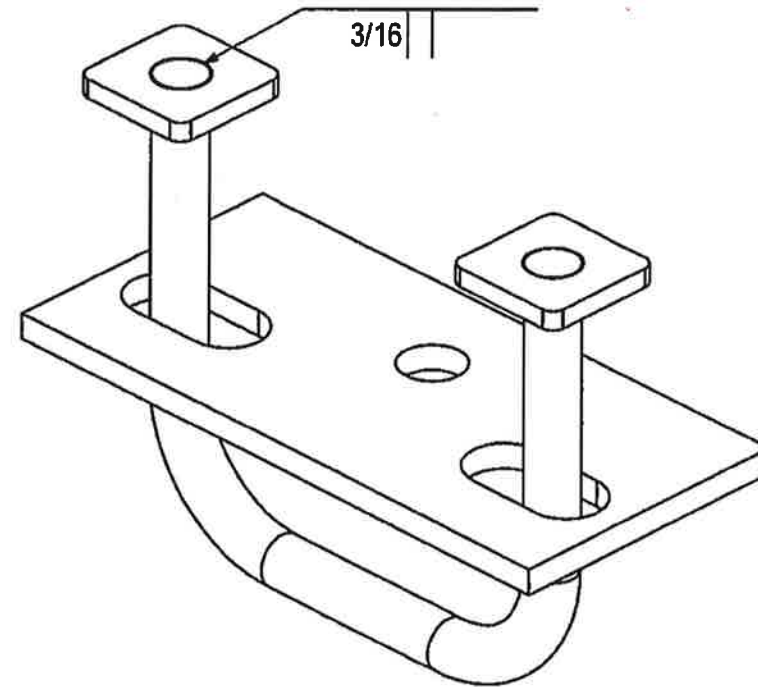
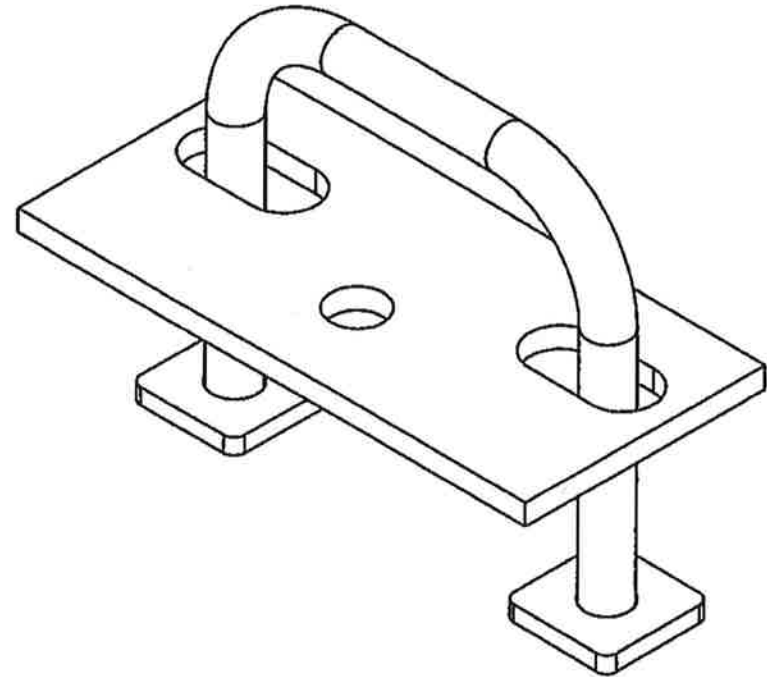
THE INFORMATION CONTAINED IN THIS DRAWING IS THE SOLE PROPERTY OF H<sup>2</sup> PRECAST INC. ANY REPRODUCTION IN PART OR WHOLE WITHOUT THE WRITTEN PERMISSION OF FM&M IS PROHIBITED.

This assembly is constructed and tested to conform with WSDOT Standard Specification ~~9-29.2(2)~~, Standard Duty Junction Boxes.  
9-29.2(1)

REV	DESCRIPTION	DATE	INITIALS
A	ADDED PART MAT'L INFO TO BOM. MOD WELD CALLOUTS.	5/23/14	DK



6/11/15



**APPROVED AS NOTED**

Washington State Department of Transportation  
HQ Traffic Operations Office

BY: *[Signature]* DATE: 5/13/2020

TYPE 8 HANDLE WELD ASSY  
(2) REQ'D

THIS DRAWING CREATED FOR MANUFACTURING REFERENCE ONLY AND IS NOT INTENDED TO SUPERCEDE H<sup>2</sup> PRECAST INC. DRAWINGS OR SPECIFICATIONS OF THE REFERENCED PART.

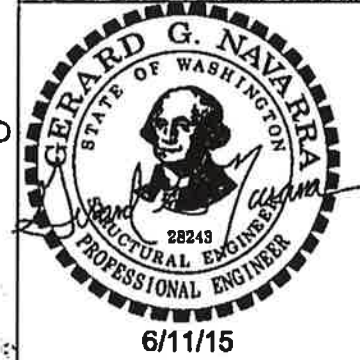
Prepared for H <sup>2</sup> PRECAST INC.			
DOOR, TYPE 8			
SIZE A	DRAWN BY: DREW KEIM	PROGRAM NUMBER: DATE CREATED: 8/29/12	REV. A
SCALE: NONE	CAD FILE: TYPE 8 DOOR (A)	SHEET 2 of 3	



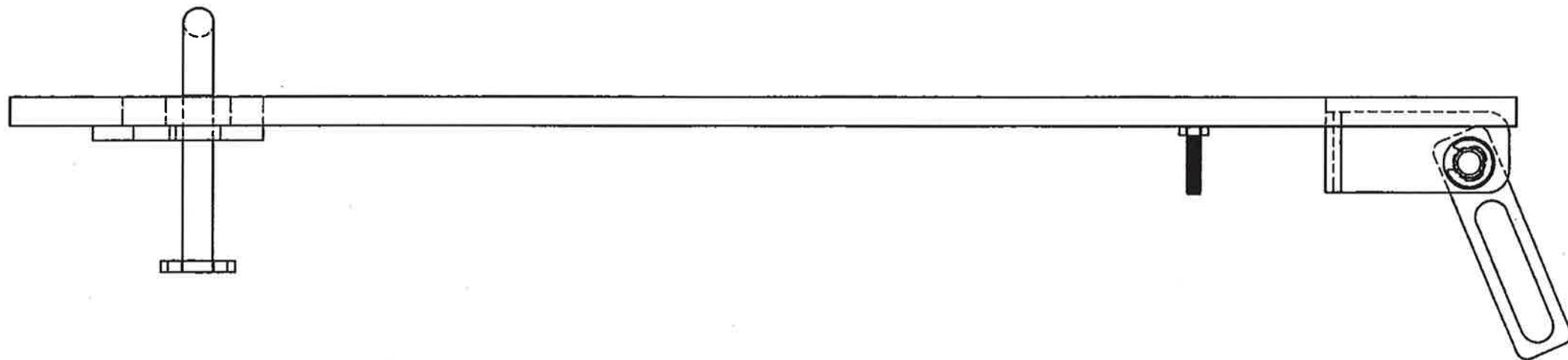
THE INFORMATION CONTAINED IN THIS DRAWING IS THE SOLE PROPERTY OF H<sup>2</sup> PRECAST INC. ANY REPRODUCTION IN PART OR WHOLE WITHOUT THE WRITTEN PERMISSION OF FM&M IS PROHIBITED.

This assembly is constructed and tested to conform with WSDOT Standard Specification ~~9-29.2(2)~~, Standard Duty Junction Boxes.  
9-29.2(1)

REV	DESCRIPTION	DATE	INITIALS
A	ADDED PART MAT'L INFO TO BOM. MOD WELD CALLOUTS.	5/23/14	DK



6/11/15



TYPE 8 DOOR ASS'Y - HINGE SLIDE ORIENTATION

**APPROVED AS NOTED**

Washington State Department of Transportation  
HQ Traffic Operations Office  
BY: [Signature] DATE: 5/13/2020

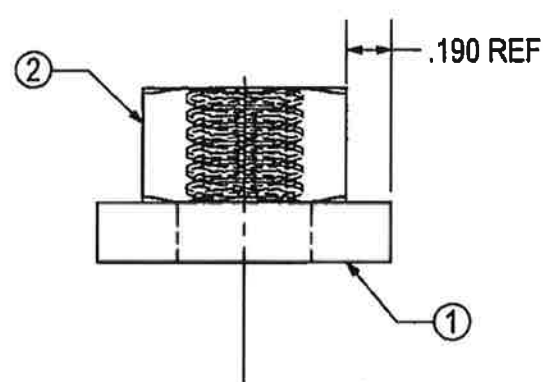
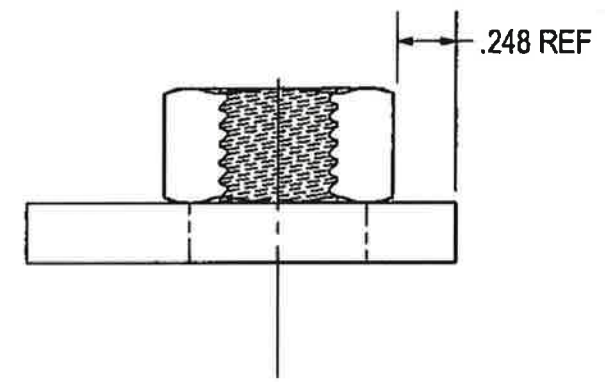
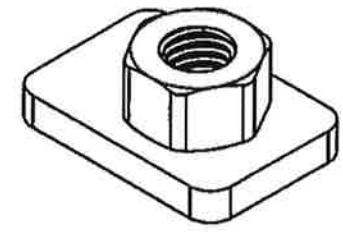
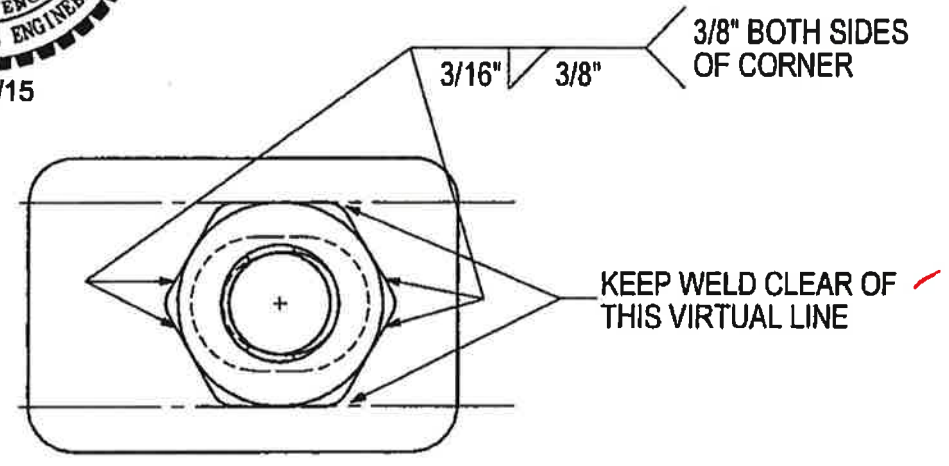
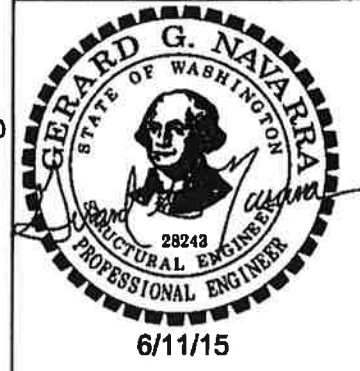
THIS DRAWING CREATED FOR MANUFACTURING REFERENCE ONLY AND IS NOT INTENDED TO SUPERCEDE H<sup>2</sup> PRECAST INC. DRAWINGS OR SPECIFICATIONS OF THE REFERENCED PART.

Prepared for H <sup>2</sup> PRECAST INC.			
DOOR, TYPE 8			
SIZE A	DRAWN BY: DREW KEIM	PROGRAM NUMBER: DATE CREATED: 8/29/12	REV. A
SCALE: NONE	CAD FILE: TYPE 8 DOOR (A)	SHEET 3 of 3	

THE INFORMATION CONTAINED IN THIS DRAWING IS THE SOLE PROPERTY OF H<sup>2</sup> PRECAST INC. ANY REPRODUCTION IN PART OR WHOLE WITHOUT THE WRITTEN PERMISSION OF FM&M IS PROHIBITED.

This assembly is constructed and tested to conform with WSDOT Standard Specification 9-29.2(2), Standard Duty Junction Boxes.  
9-29.2(1)

REV	DESCRIPTION	DATE	INITIALS
A	MODIFEID WELD NOTE. ADDED NOTE.	5/17/14	DK



**APPROVED AS NOTED**  
 Washington State Department of Transportation  
 HQ Traffic Operations Office  
 BY: [Signature] DATE: 5/13/2020

#	SKU#	DESCRIPTION	MATERIAL	QTY.
2	101-00047	NUT, HEX(HEAVY) 1/2-13	316SS	1
1	716-L002	LOCK LATCH	A36HR	1

**PARTS LIST**

Prepared for H<sup>2</sup> PRECAST INC.  
**LOCK TAB WELD ASSY**

THIS DRAWING CREATED FOR MANUFACTURING REFERENCE ONLY AND IS NOT INTENDED TO SUPERCEDE H<sup>2</sup> PRECAST INC. DRAWINGS OR SPECIFICATIONS OF THE REFERENCED PART.

HOLES ± 0.030 X.XXX ± 0.060 ANGLES ± 1.0°	SIZE A	DRAWN BY: DREW KEVM	PROGRAM NUMBER: DATE CREATED: 4/28/14	700-00005 REV. A
SCALE: NONE	CAD FILE: 700-00005A	SHEET 1 of 1		

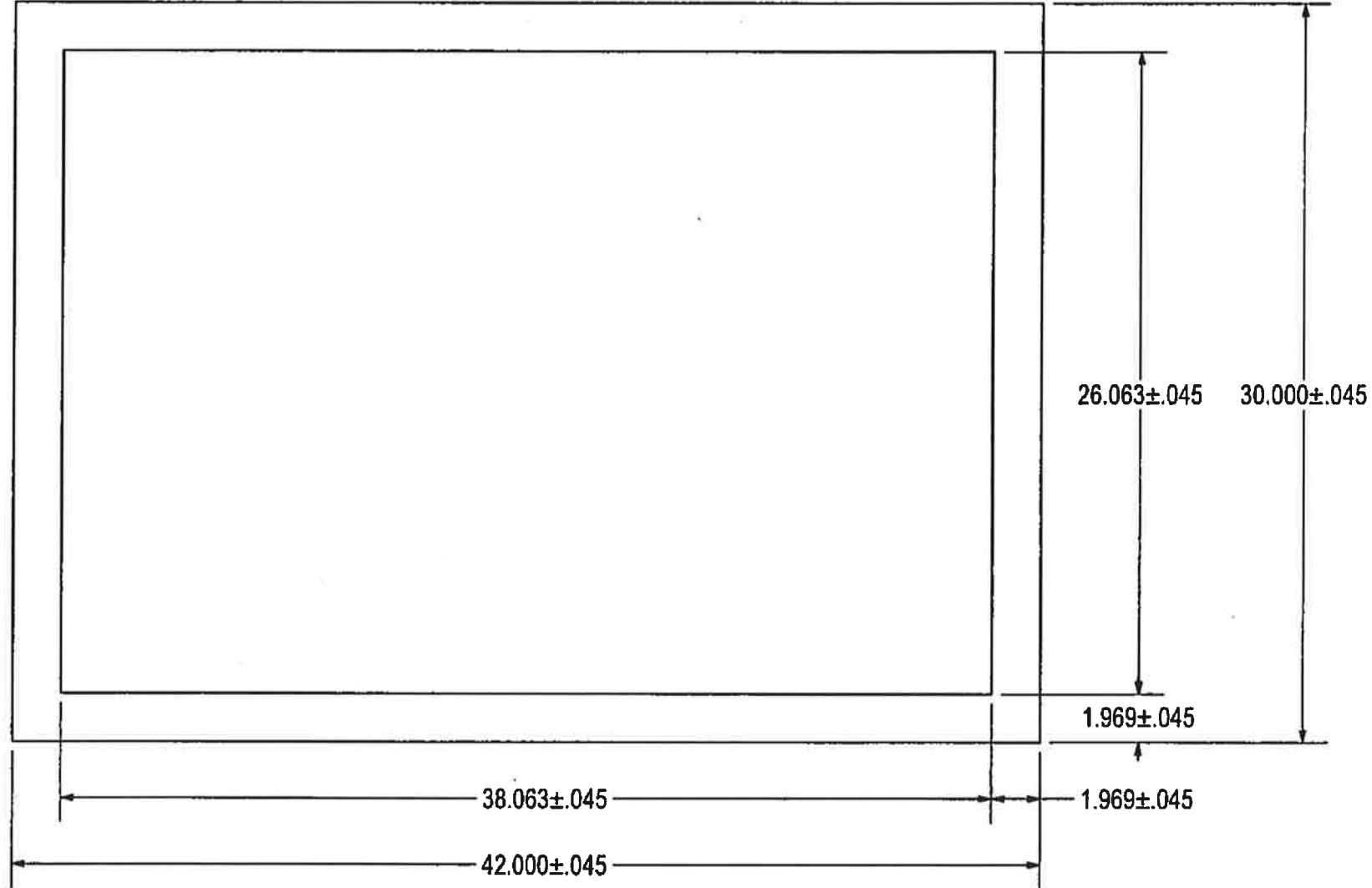
THE INFORMATION CONTAINED IN THIS DRAWING IS THE SOLE PROPERTY OF H<sup>2</sup> PRECAST INC. ANY REPRODUCTION IN PART OR WHOLE WITHOUT THE WRITTEN PERMISSION OF FM&M IS PROHIBITED.

This assembly is constructed and tested to conform with WSDOT Standard Specification ~~9-29.2(2)~~, Standard Duty Junction Boxes.

9-29.2(1)



6/11/15



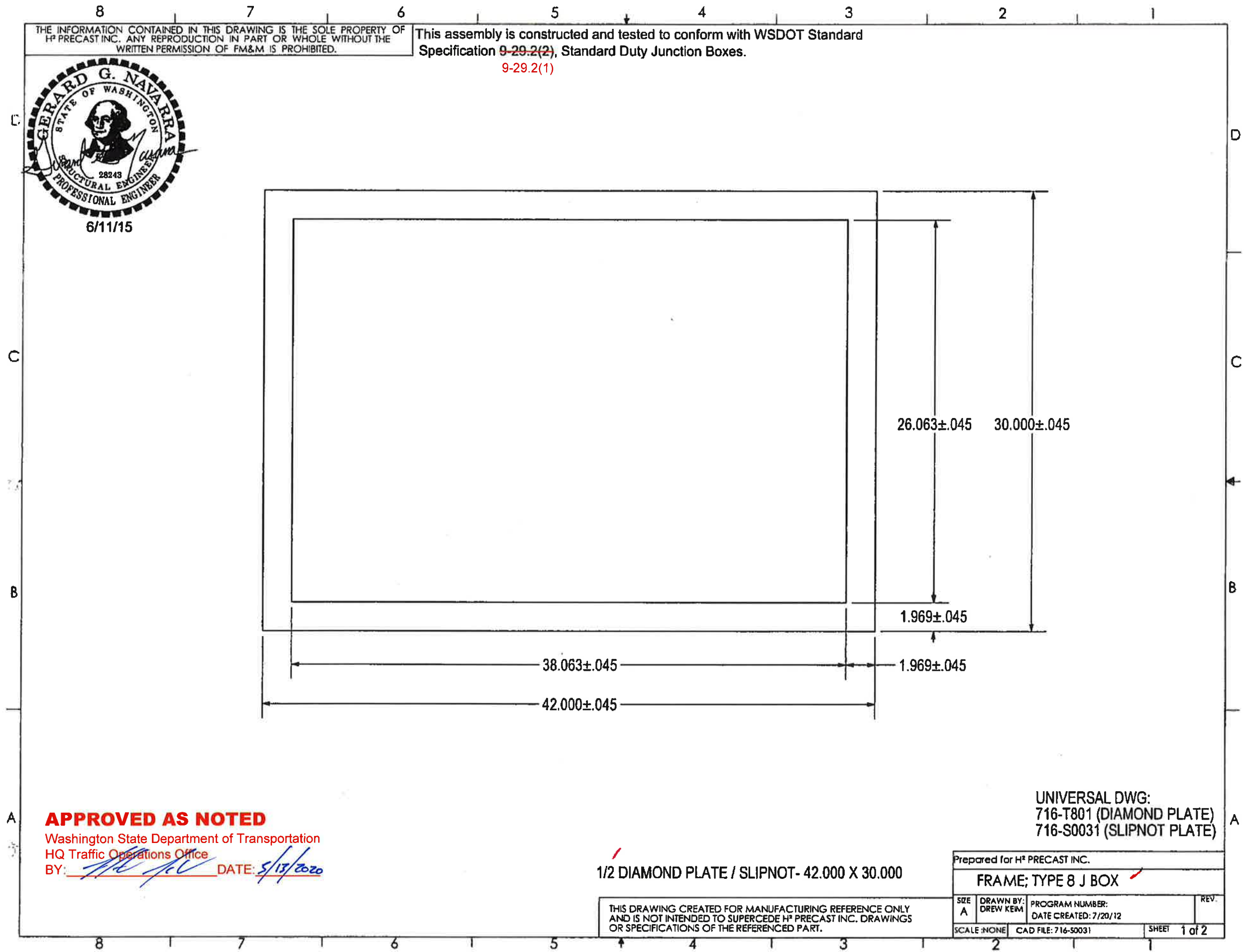
**APPROVED AS NOTED**  
Washington State Department of Transportation  
HQ Traffic Operations Office  
BY: [Signature] DATE: 5/13/2020

UNIVERSAL DWG:  
716-T801 (DIAMOND PLATE)  
716-S0031 (SLIPNOT PLATE)

1/2 DIAMOND PLATE / SLIPNOT- 42.000 X 30.000

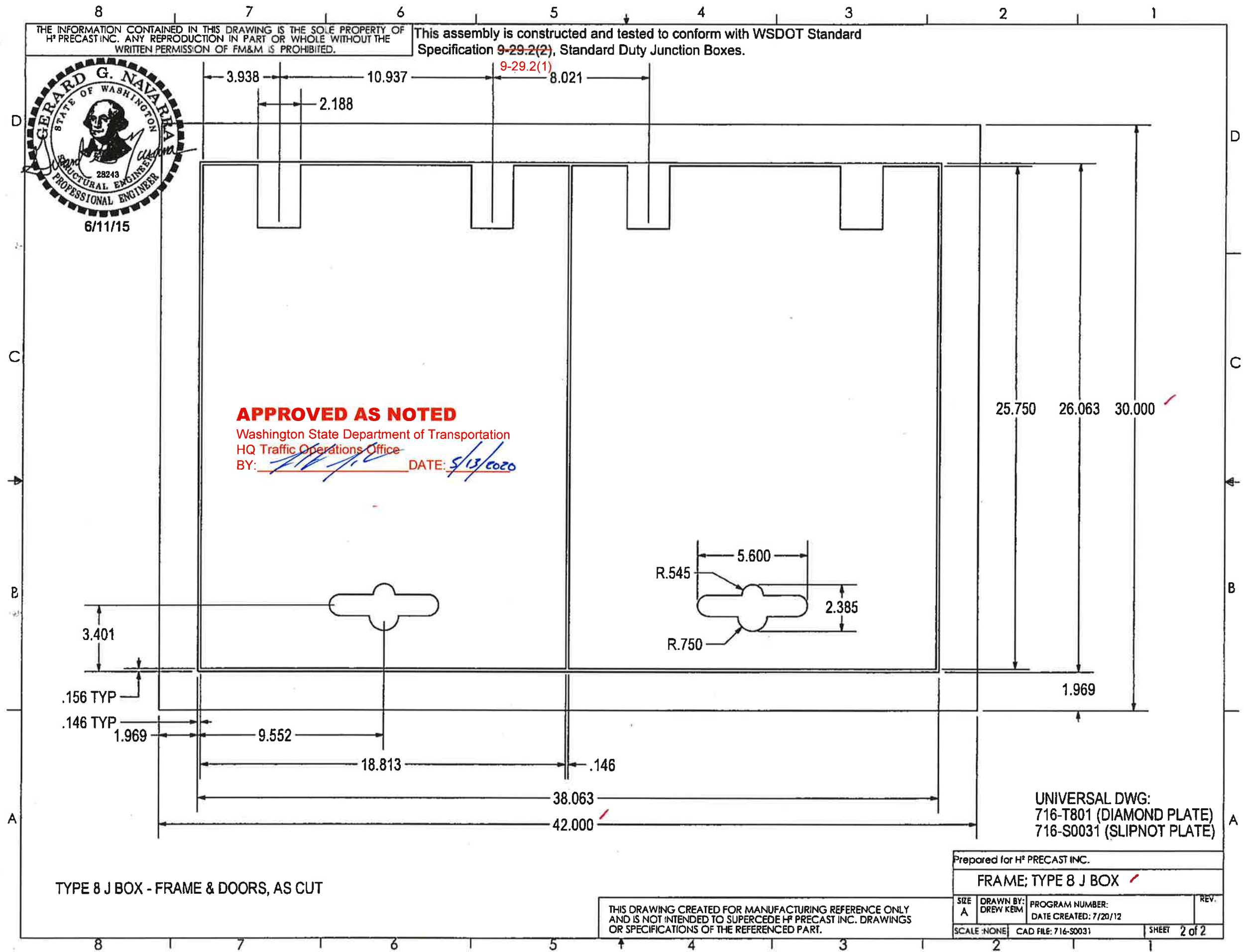
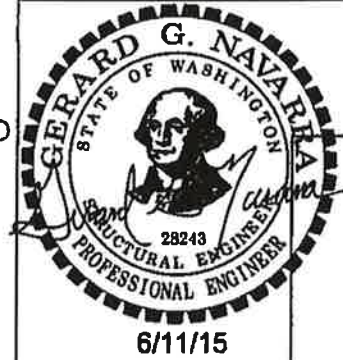
THIS DRAWING CREATED FOR MANUFACTURING REFERENCE ONLY AND IS NOT INTENDED TO SUPERCEDE H<sup>2</sup> PRECAST INC. DRAWINGS OR SPECIFICATIONS OF THE REFERENCED PART.

Prepared for H <sup>2</sup> PRECAST INC.			
FRAME; TYPE 8 J BOX			
SIZE A	DRAWN BY: DREW KEIM	PROGRAM NUMBER: DATE CREATED: 7/20/12	REV.
SCALE: NONE	CAD FILE: 716-50031	SHEET 1 of 2	

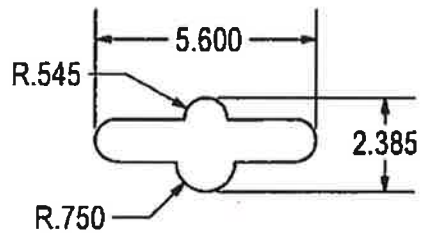


THE INFORMATION CONTAINED IN THIS DRAWING IS THE SOLE PROPERTY OF H<sup>2</sup> PRECAST INC. ANY REPRODUCTION IN PART OR WHOLE WITHOUT THE WRITTEN PERMISSION OF FM&M IS PROHIBITED.

This assembly is constructed and tested to conform with WSDOT Standard Specification 9-29.2(2), Standard Duty Junction Boxes.



**APPROVED AS NOTED**  
 Washington State Department of Transportation  
 HQ Traffic Operations Office  
 BY: *[Signature]* DATE: 5/13/2020



25.750 26.063 30.000 ✓

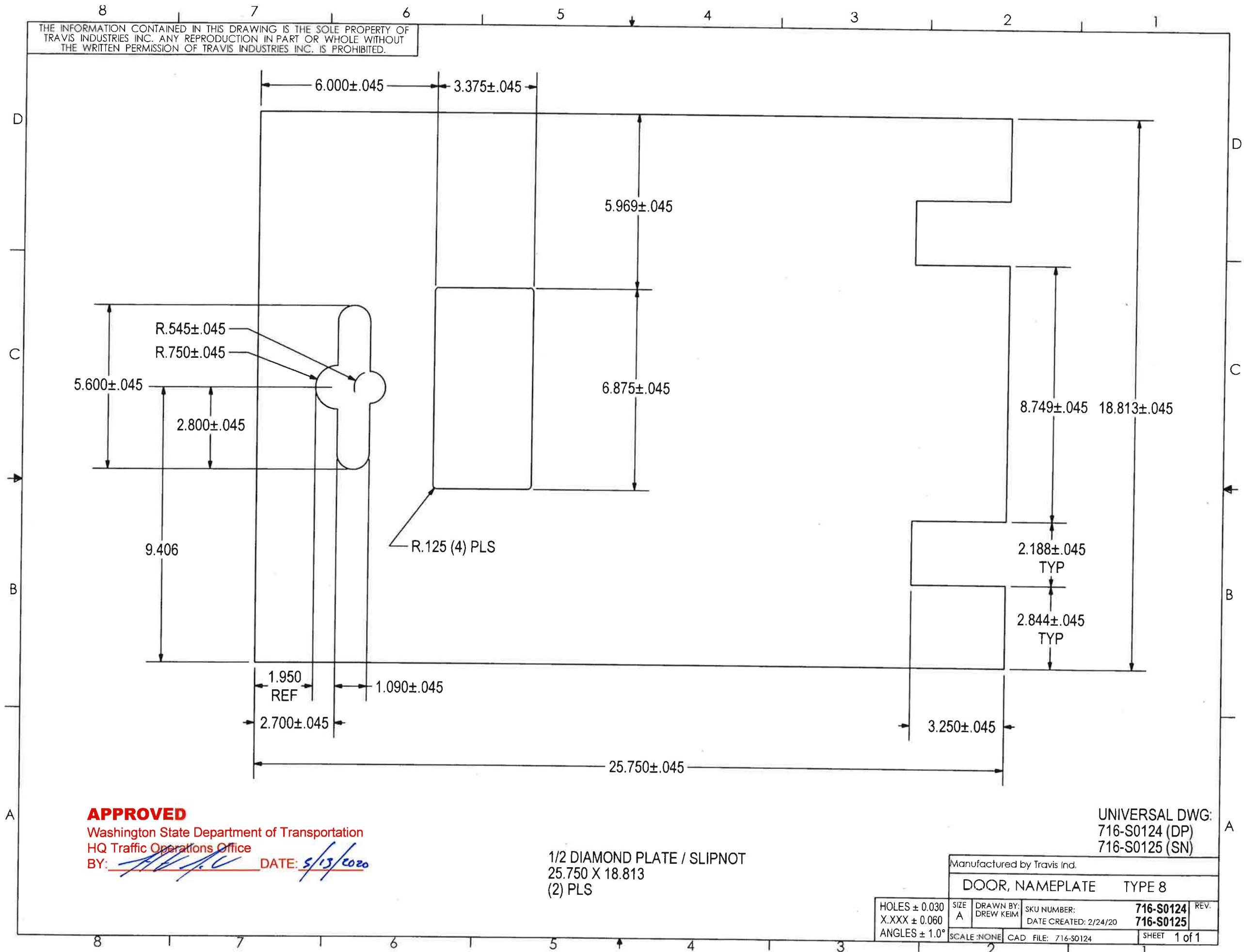
TYPE 8 J BOX - FRAME & DOORS, AS CUT

UNIVERSAL DWG:  
 716-T801 (DIAMOND PLATE)  
 716-S0031 (SLIPNOT PLATE)

THIS DRAWING CREATED FOR MANUFACTURING REFERENCE ONLY AND IS NOT INTENDED TO SUPERCEDE H<sup>2</sup> PRECAST INC. DRAWINGS OR SPECIFICATIONS OF THE REFERENCED PART.

Prepared for H <sup>2</sup> PRECAST INC.			
FRAME; TYPE 8 J BOX ✓			
SIZE A	DRAWN BY: DREW KEIM	PROGRAM NUMBER: DATE CREATED: 7/20/12	REV.
SCALE: NONE	CAD FILE: 716-S0031	SHEET 2 of 2	

THE INFORMATION CONTAINED IN THIS DRAWING IS THE SOLE PROPERTY OF TRAVIS INDUSTRIES INC. ANY REPRODUCTION IN PART OR WHOLE WITHOUT THE WRITTEN PERMISSION OF TRAVIS INDUSTRIES INC. IS PROHIBITED.



**APPROVED**  
 Washington State Department of Transportation  
 HQ Traffic Operations Office  
 BY: *[Signature]* DATE: 5/13/2020

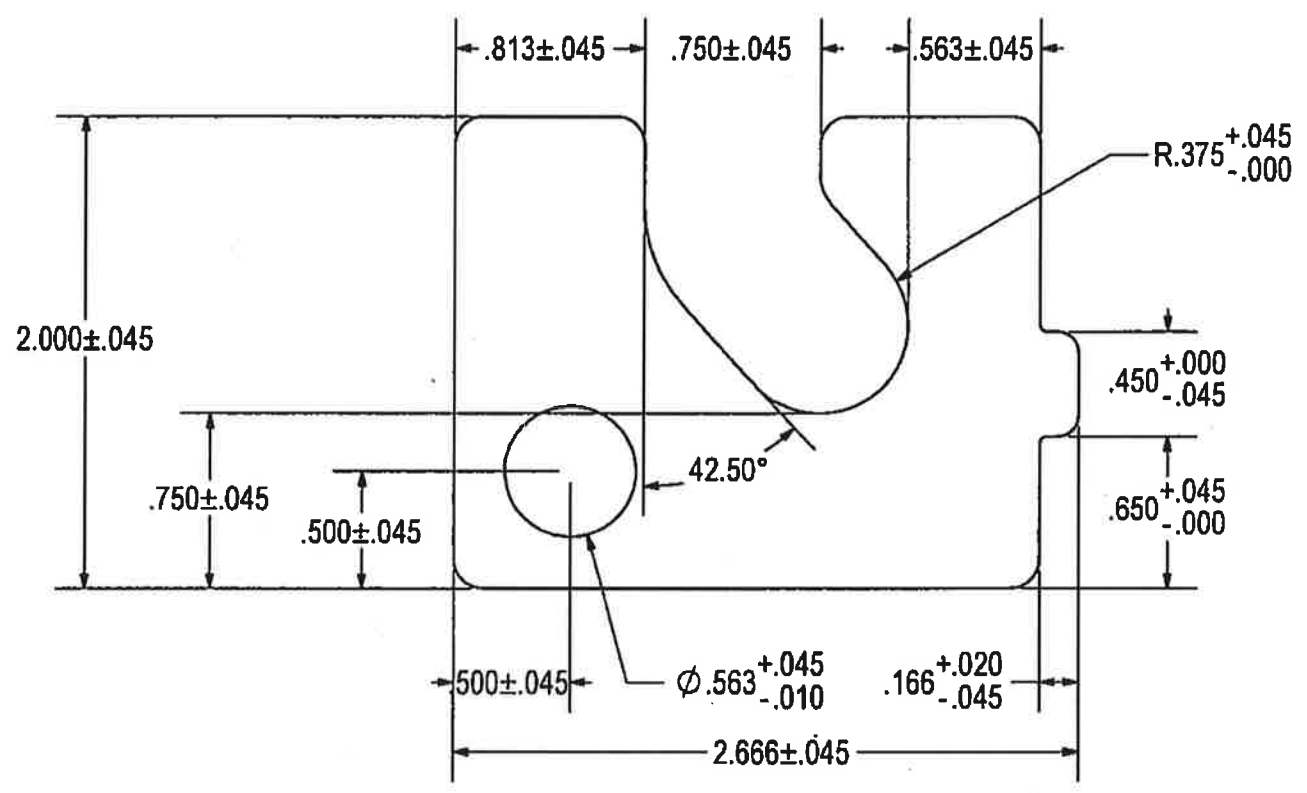
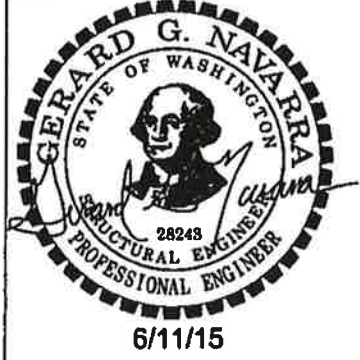
1/2 DIAMOND PLATE / SLIPNOT  
 25.750 X 18.813  
 (2) PLS

UNIVERSAL DWG:  
 716-S0124 (DP)  
 716-S0125 (SN)

Manufactured by Travis Ind.			
DOOR, NAMEPLATE		TYPE 8	
HOLES ± 0.030	SIZE A	DRAWN BY: DREW KEIM	SKU NUMBER: 716-S0124 REV.
X.XXX ± 0.060			DATE CREATED: 2/24/20 716-S0125
ANGLES ± 1.0°	SCALE: NONE	CAD FILE: 716-S0124	SHEET 1 of 1

THE INFORMATION CONTAINED IN THIS DRAWING IS THE SOLE PROPERTY OF H<sup>3</sup> PRECAST INC. ANY REPRODUCTION IN PART OR WHOLE WITHOUT THE WRITTEN PERMISSION OF FM&M IS PROHIBITED.

This assembly is constructed and tested to conform with WSDOT Standard Specification ~~9-29.2(2)~~, Standard Duty Junction Boxes.  
9-29.2(1)



**APPROVED AS NOTED**  
 Washington State Department of Transportation  
 HQ Traffic Operations Office  
 BY: [Signature] DATE: 5/13/2020

3/8 HR - 2.666 X 2.000  
 (4) REQ'D

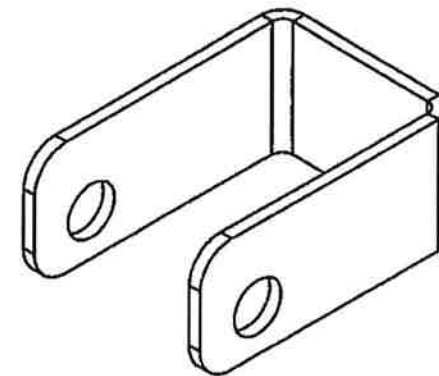
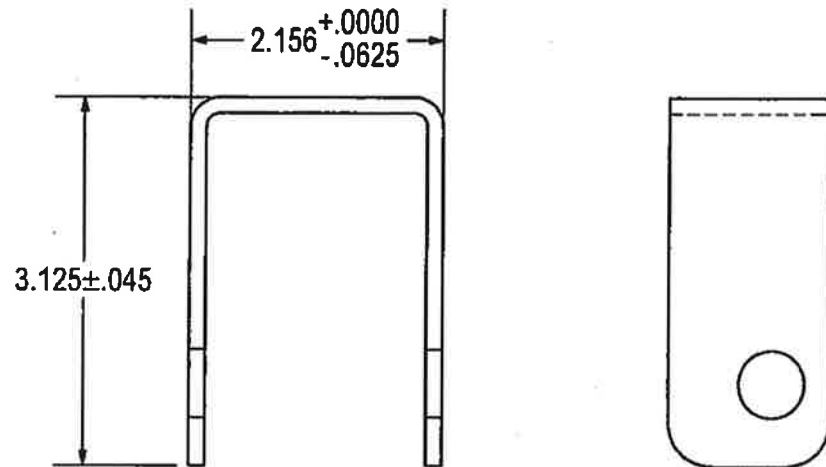
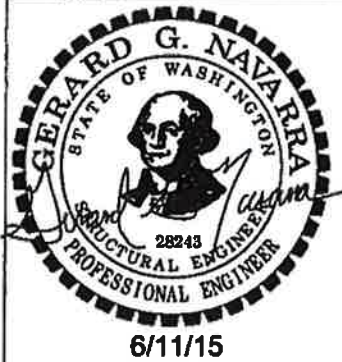
THIS DRAWING CREATED FOR MANUFACTURING REFERENCE ONLY AND IS NOT INTENDED TO SUPERCEDE H<sup>3</sup> PRECAST INC. DRAWINGS OR SPECIFICATIONS OF THE REFERENCED PART.

Prepared for H <sup>3</sup> PRECAST INC.			
HINGE; TYPE 8 J BOX			
SIZE A	DRAWN BY: DREW KEM	PROGRAM NUMBER: 716-T803	REV.
SCALE: NONE		CAD FILE: 03 HINGE	SHEET 1 of 1

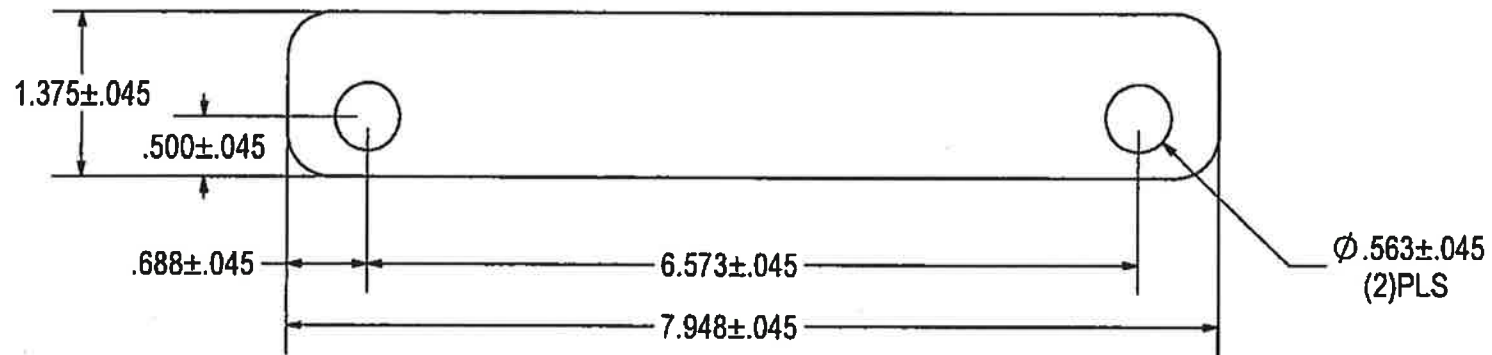
THE INFORMATION CONTAINED IN THIS DRAWING IS THE SOLE PROPERTY OF H<sup>2</sup> PRECAST INC. ANY REPRODUCTION IN PART OR WHOLE WITHOUT THE WRITTEN PERMISSION OF FM&M IS PROHIBITED.

This assembly is constructed and tested to conform with WSDOT Standard Specification 9-29.2(2), Standard Duty Junction Boxes.

9-29.2(1)



FORMED DETAILS



FLAT PATTERN

**APPROVED AS NOTED**

Washington State Department of Transportation  
HQ Traffic Operations Office

BY: *[Signature]* DATE: 5/13/2020

10 GA HR - 7.948 X 1.375  
(4) REQ'D  
X = .216 @ 90° .125 R

Prepared for H <sup>2</sup> PRECAST INC.			
HINGE BLOCK; TYPE 8 J BOX ✓			
SIZE A	DRAWN BY: DREW KEIM	PROGRAM NUMBER: 716-T804	REV.
SCALE: NONE		DATE CREATED: 7/20/12	SHEET 1 of 1
CAD FILE: 04 HINGE BLOCK			

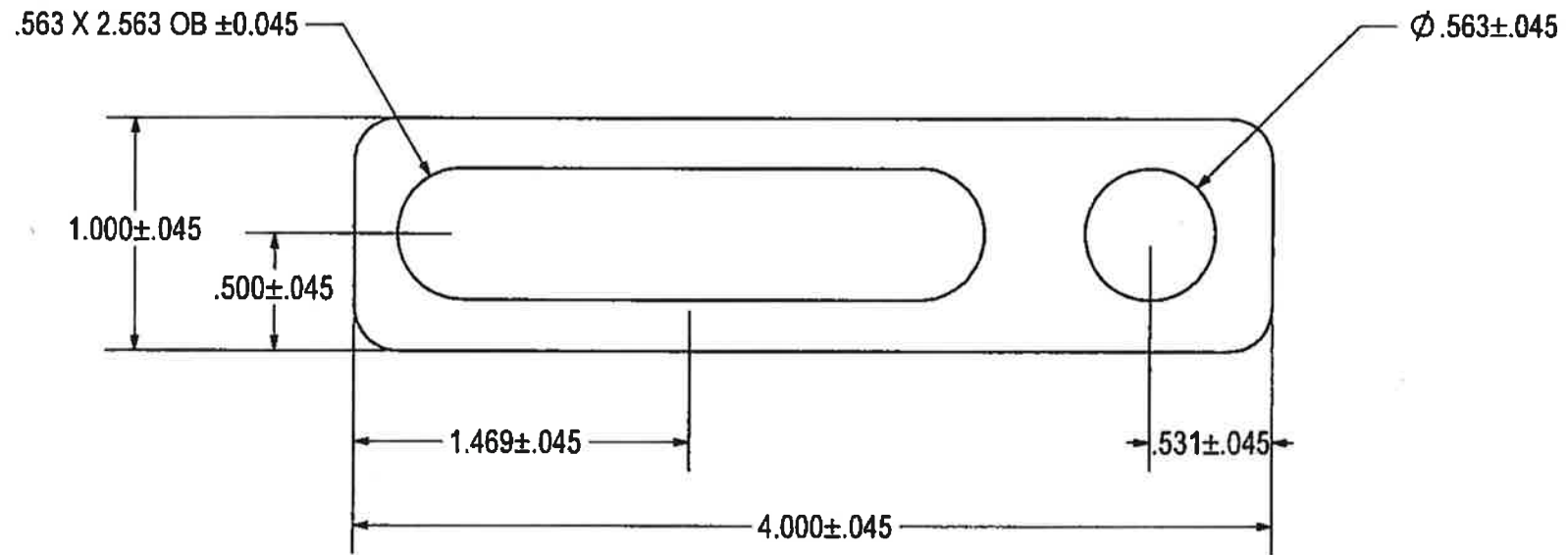
THIS DRAWING CREATED FOR MANUFACTURING REFERENCE ONLY AND IS NOT INTENDED TO SUPERCEDE H<sup>2</sup> PRECAST INC. DRAWINGS OR SPECIFICATIONS OF THE REFERENCED PART.

THE INFORMATION CONTAINED IN THIS DRAWING IS THE SOLE PROPERTY OF H<sup>2</sup> PRECAST INC. ANY REPRODUCTION IN PART OR WHOLE WITHOUT THE WRITTEN PERMISSION OF FM&M IS PROHIBITED.

This assembly is constructed and tested to conform with WSDOT Standard Specification ~~9-29.2(2)~~, Standard Duty Junction Boxes.  
9-29.2(1)



6/11/15



**APPROVED AS NOTED**

Washington State Department of Transportation  
HQ Traffic Operations Office

BY: [Signature] DATE: 5/13/2020

1/4 HR - 4.000 X 1.000  
(8) REQ'D

Prepared for H <sup>2</sup> PRECAST INC.			
HINGE SLIDE; TYPE 8 J BOX ✓			
SIZE A	DRAWN BY: DREW KEM	PROGRAM NUMBER: 716-T805	REV.
DATE CREATED: 7/20/12		SHEET 1 of 1	
SCALE: NONE		CAD FILE: 05 HINGE SLIDE	

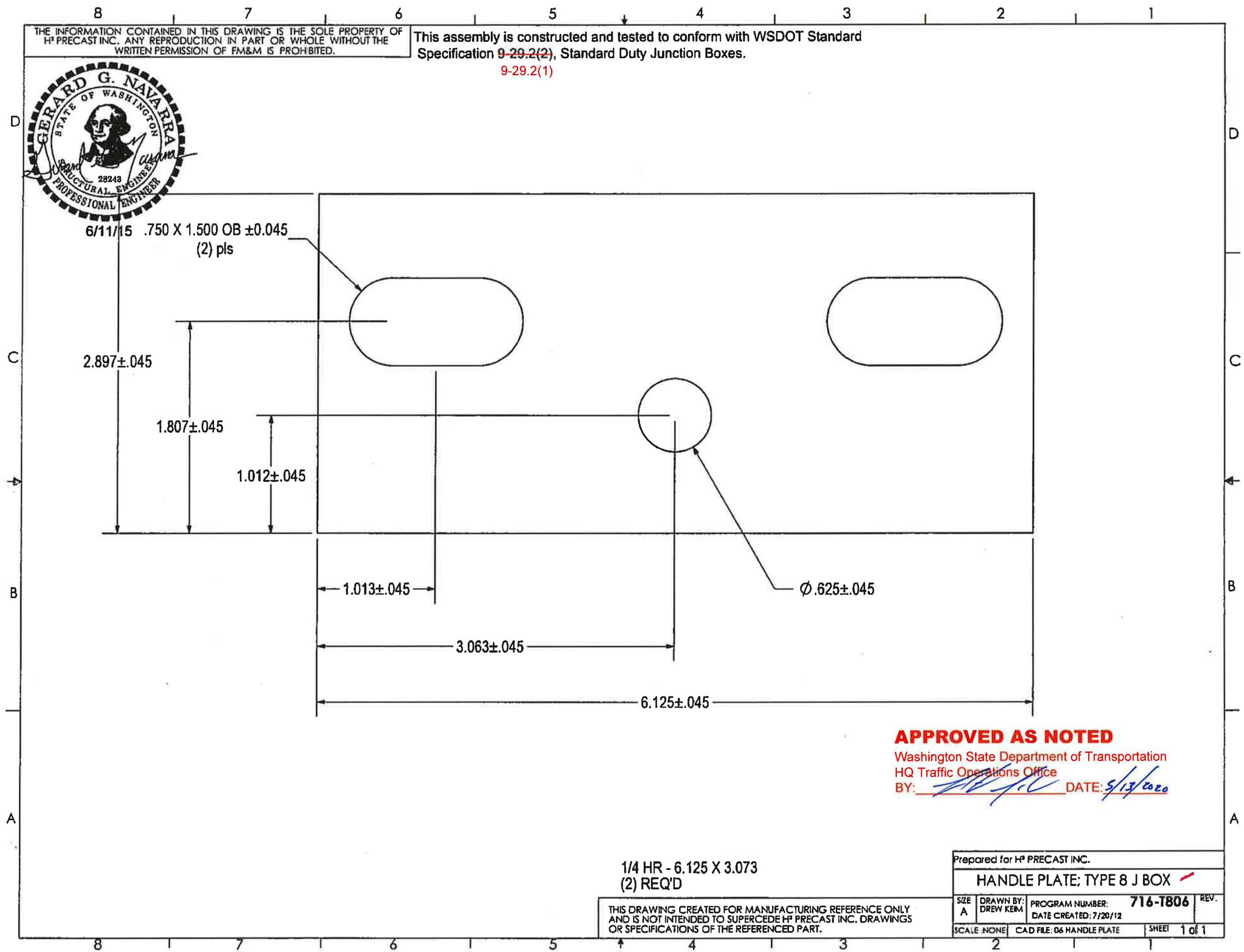
THIS DRAWING CREATED FOR MANUFACTURING REFERENCE ONLY AND IS NOT INTENDED TO SUPERCEDE H<sup>2</sup> PRECAST INC. DRAWINGS OR SPECIFICATIONS OF THE REFERENCED PART.



THE INFORMATION CONTAINED IN THIS DRAWING IS THE SOLE PROPERTY OF H<sup>2</sup> PRECAST INC. ANY REPRODUCTION IN PART OR WHOLE WITHOUT THE WRITTEN PERMISSION OF FM&M IS PROHIBITED.

This assembly is constructed and tested to conform with WSDOT Standard Specification ~~9-29.2(2)~~, Standard Duty Junction Boxes.

9-29.2(1)



6/11/15 .750 X 1.500 OB ±0.045  
(2) pls

2.897 ±.045

1.807 ±.045

1.012 ±.045

1.013 ±.045

3.063 ±.045

6.125 ±.045

Ø .625 ±.045

**APPROVED AS NOTED**

Washington State Department of Transportation  
HQ Traffic Operations Office

BY: *[Signature]* DATE: 5/13/2020

1/4 HR - 6.125 X 3.073  
(2) REQ'D

THIS DRAWING CREATED FOR MANUFACTURING REFERENCE ONLY AND IS NOT INTENDED TO SUPERCEDE H<sup>2</sup> PRECAST INC. DRAWINGS OR SPECIFICATIONS OF THE REFERENCED PART.

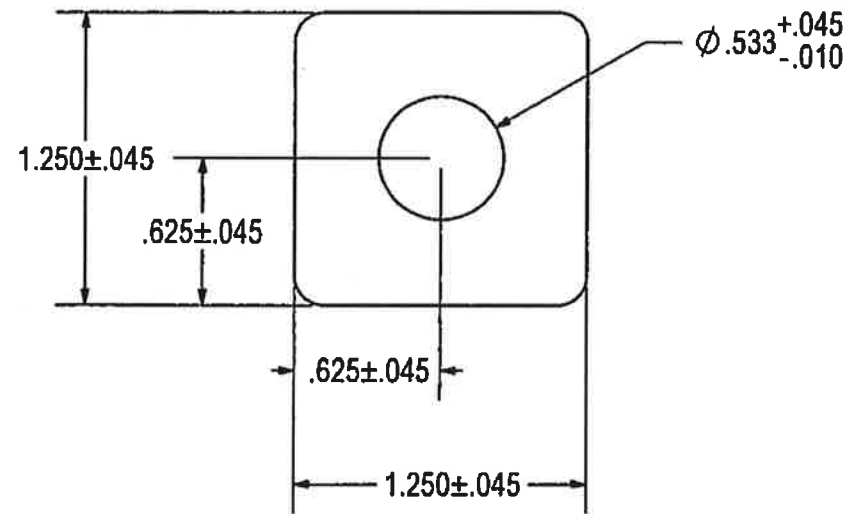
Prepared for H <sup>2</sup> PRECAST INC.			
HANDLE PLATE; TYPE 8 J BOX			
SIZE A	DRAWN BY: DREW KEM	PROGRAM NUMBER: 716-T806	REV.
SCALE: NONE	CAD FILE: 06 HANDLE PLATE	DATE CREATED: 7/20/12	SHEET 1 of 1

THE INFORMATION CONTAINED IN THIS DRAWING IS THE SOLE PROPERTY OF H<sup>2</sup> PRECAST INC. ANY REPRODUCTION IN PART OR WHOLE WITHOUT THE WRITTEN PERMISSION OF FM&M IS PROHIBITED.

This assembly is constructed and tested to conform with WSDOT Standard Specification ~~9-29.2(2)~~, Standard Duty Junction Boxes.  
9-29.2(1)



6/11/15



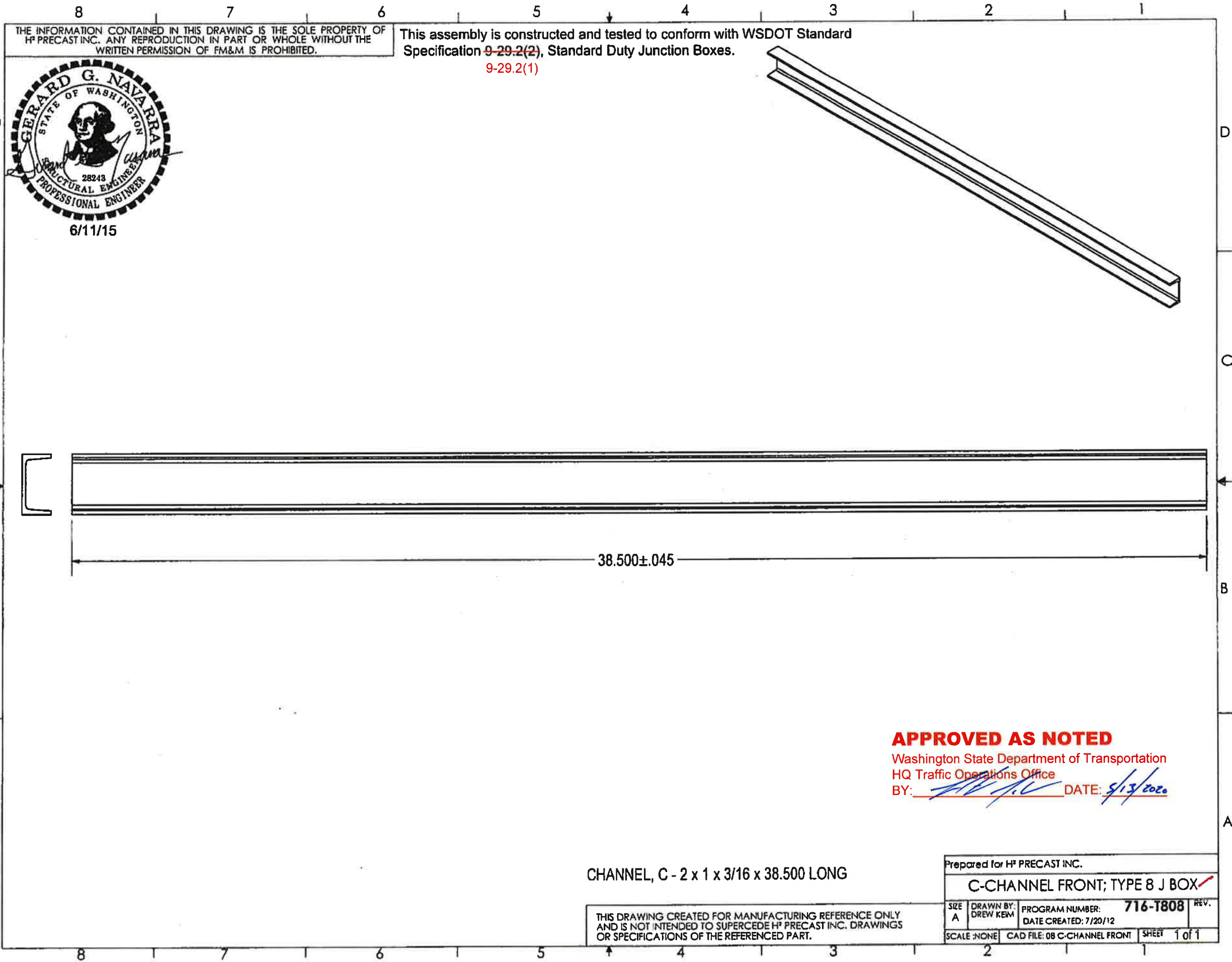
**APPROVED AS NOTED**

Washington State Department of Transportation  
HQ Traffic Operations Office  
BY: *[Signature]* DATE: 5/13/2020

3/16 HR - 1.250 X 1.250  
(4) PLS

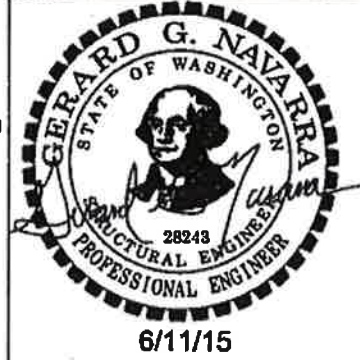
THIS DRAWING CREATED FOR MANUFACTURING REFERENCE ONLY AND IS NOT INTENDED TO SUPERCEDE H<sup>2</sup> PRECAST INC. DRAWINGS OR SPECIFICATIONS OF THE REFERENCED PART.

Prepared for H <sup>2</sup> PRECAST INC.			
HANDLE STOP, TYPE 8 J BOX ✓			
SIZE A	DRAWN BY: DREW KEIM	PROGRAM NUMBER: 716-T807	REV.
SCALE: NONE	CAD FILE: 07 HANDLE STOP	DATE CREATED: 7/20/12	
		SHEET	1 of 1



THE INFORMATION CONTAINED IN THIS DRAWING IS THE SOLE PROPERTY OF H<sup>2</sup> PRECAST INC. ANY REPRODUCTION IN PART OR WHOLE WITHOUT THE WRITTEN PERMISSION OF FM&M IS PROHIBITED.

This assembly is constructed and tested to conform with WSDOT Standard Specification ~~9-29.2(2)~~, Standard Duty Junction Boxes.  
9-29.2(1)

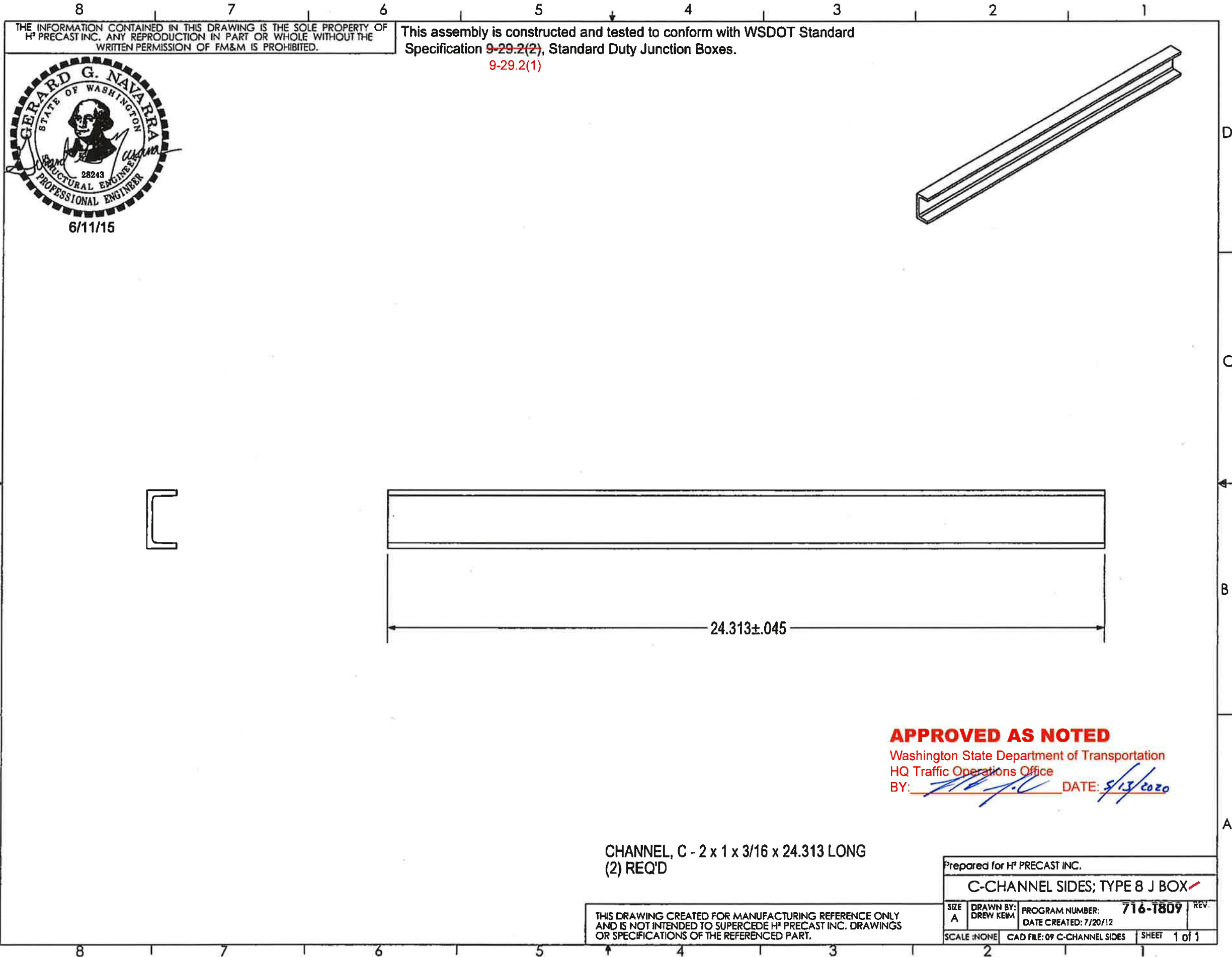


**APPROVED AS NOTED**  
 Washington State Department of Transportation  
 HQ Traffic Operations Office  
 BY: [Signature] DATE: 5/13/2020

CHANNEL, C - 2 x 1 x 3/16 x 38.500 LONG

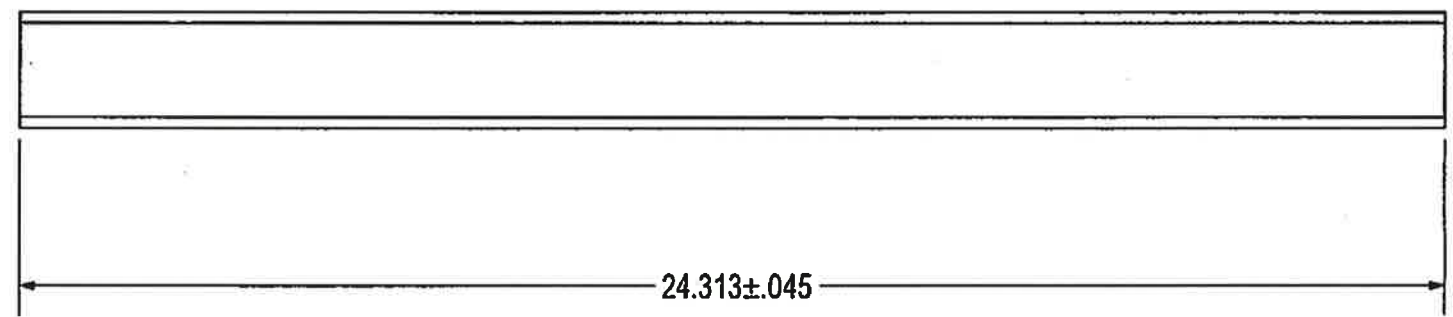
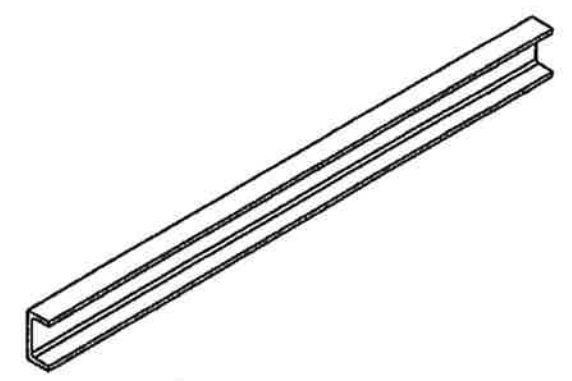
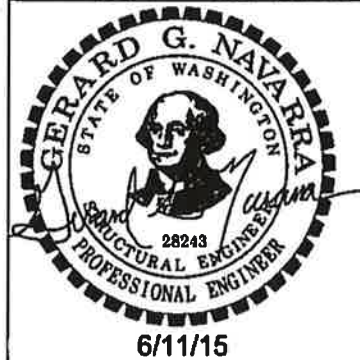
THIS DRAWING CREATED FOR MANUFACTURING REFERENCE ONLY AND IS NOT INTENDED TO SUPERCEDE H<sup>2</sup> PRECAST INC. DRAWINGS OR SPECIFICATIONS OF THE REFERENCED PART.

Prepared for H <sup>2</sup> PRECAST INC.			
C-CHANNEL FRONT; TYPE 8 J BOX ✓			
SIZE A	DRAWN BY: DREW KEIM	PROGRAM NUMBER: 716-T808	REV.
SCALE: NONE		CAD FILE: 08 C-CHANNEL FRONT	SHEET 1 of 1



THE INFORMATION CONTAINED IN THIS DRAWING IS THE SOLE PROPERTY OF H<sup>2</sup> PRECAST INC. ANY REPRODUCTION IN PART OR WHOLE WITHOUT THE WRITTEN PERMISSION OF FM&M IS PROHIBITED.

This assembly is constructed and tested to conform with WSDOT Standard Specification 9-29.2(2), Standard Duty Junction Boxes.  
9-29.2(1)



**APPROVED AS NOTED**  
 Washington State Department of Transportation  
 HQ Traffic Operations Office  
 BY: [Signature] DATE: 5/13/2020

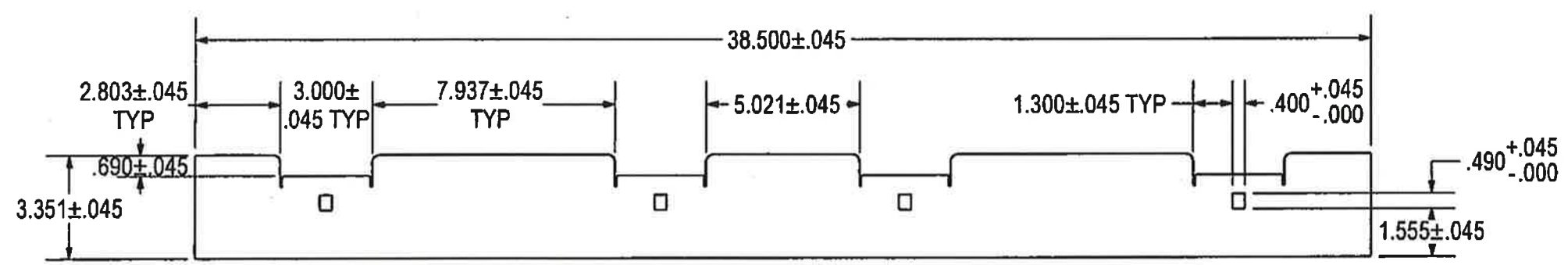
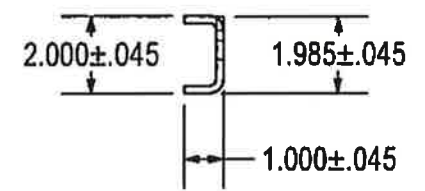
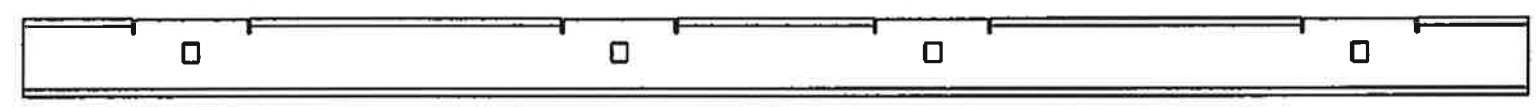
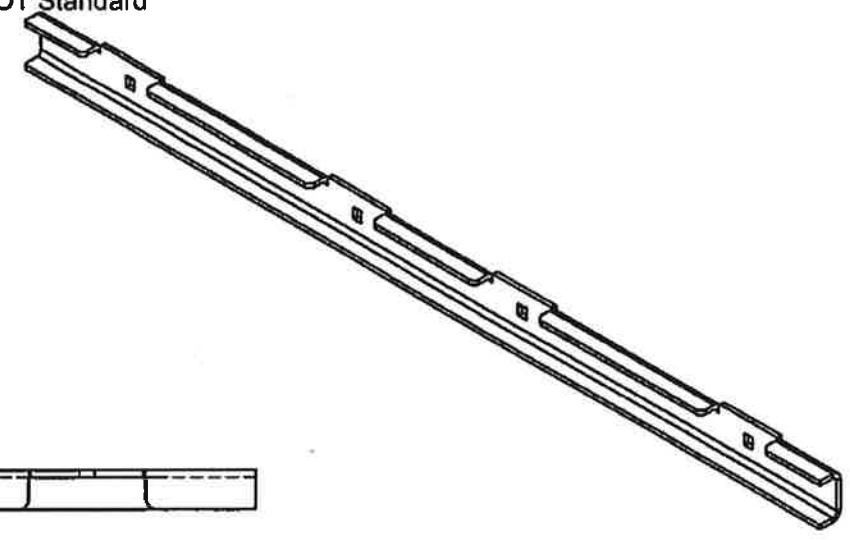
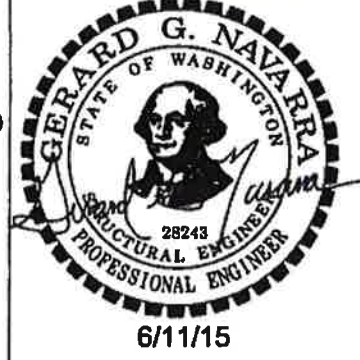
CHANNEL, C - 2 x 1 x 3/16 x 24.313 LONG  
 (2) REQ'D

THIS DRAWING CREATED FOR MANUFACTURING REFERENCE ONLY AND IS NOT INTENDED TO SUPERCEDE H<sup>2</sup> PRECAST INC. DRAWINGS OR SPECIFICATIONS OF THE REFERENCED PART.

Prepared for H <sup>2</sup> PRECAST INC.			
C-CHANNEL SIDES; TYPE 8 J BOX ✓			
SIZE A	DRAWN BY: DREW KEM	PROGRAM NUMBER: 716-1809	REV.
SCALE: NONE		CAD FILE: 09 C-CHANNEL SIDES	SHEET 1 of 1

THE INFORMATION CONTAINED IN THIS DRAWING IS THE SOLE PROPERTY OF H<sup>2</sup> PRECAST INC. ANY REPRODUCTION IN PART OR WHOLE WITHOUT THE WRITTEN PERMISSION OF FM&M IS PROHIBITED.

This assembly is constructed and tested to conform with WSDOT Standard Specification ~~9-29.2(2)~~, Standard Duty Junction Boxes.   
 9-29.2(1)

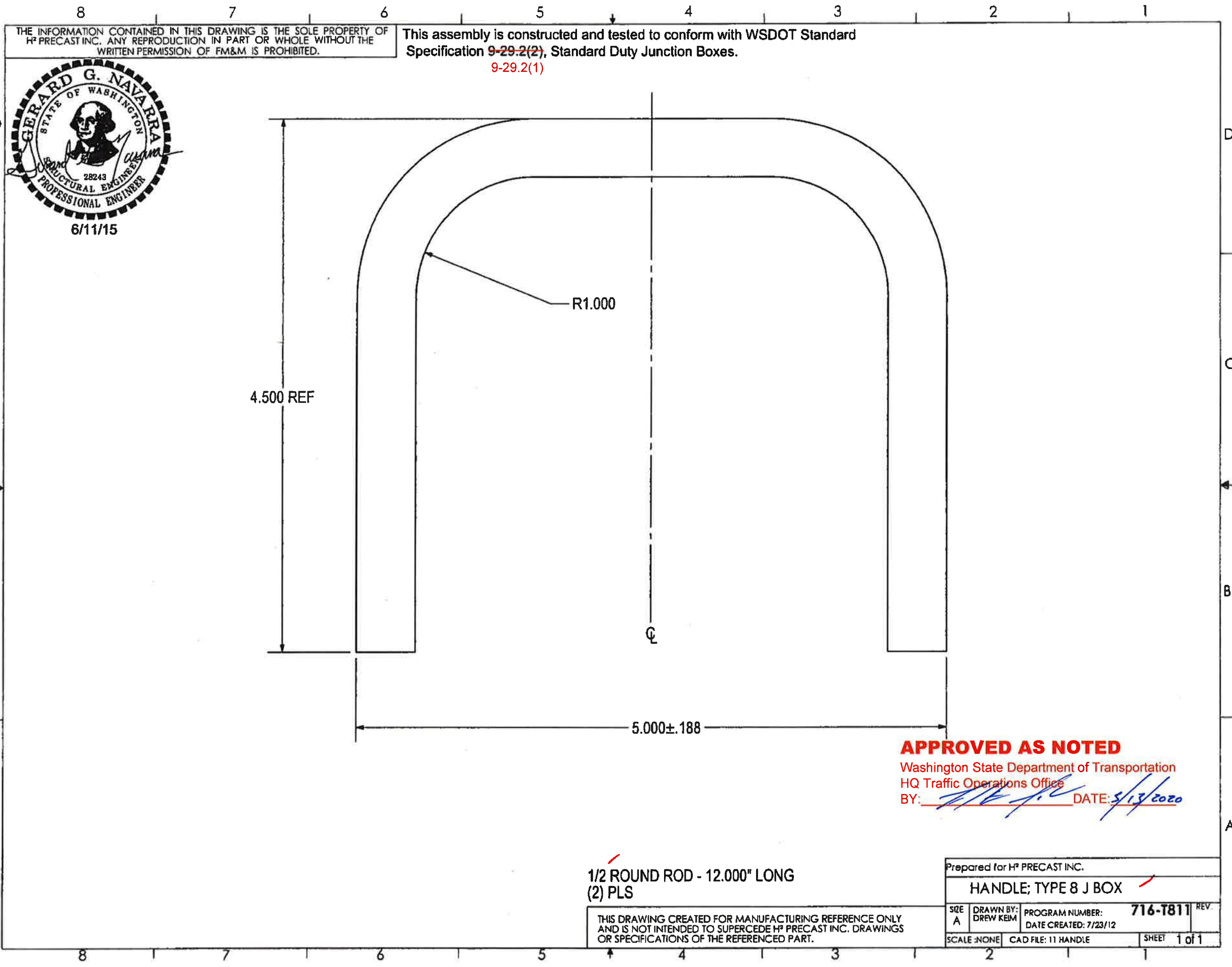


**APPROVED AS NOTED**  
 Washington State Department of Transportation  
 HQ Traffic Operations Office  
 BY: *[Signature]* DATE: 5/13/2020

3/16 HR - 38.500 X 3.351  
 x = .325 @ 90° .188 R

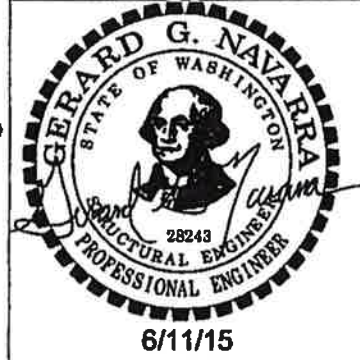
THIS DRAWING CREATED FOR MANUFACTURING REFERENCE ONLY AND IS NOT INTENDED TO SUPERCEDE H<sup>2</sup> PRECAST INC. DRAWINGS OR SPECIFICATIONS OF THE REFERENCED PART.

Prepared for H <sup>2</sup> PRECAST INC.			
C-CHANNEL HINGE; TYPE 8 J BOX			
SIZE A	DRAWN BY: DREW KEIM	PROGRAM NUMBER: 716-T810	REV.
SCALE: NONE		DATE CREATED: 7/20/12	
CAD FILE: 10 C-CHANNEL HINGE		SHEET 1 of 1	



THE INFORMATION CONTAINED IN THIS DRAWING IS THE SOLE PROPERTY OF H<sup>2</sup> PRECAST INC. ANY REPRODUCTION IN PART OR WHOLE WITHOUT THE WRITTEN PERMISSION OF FM&M IS PROHIBITED.

This assembly is constructed and tested to conform with WSDOT Standard Specification 9-29.2(2), Standard Duty Junction Boxes.  
9-29.2(1)



**APPROVED AS NOTED**  
 Washington State Department of Transportation  
 HQ Traffic Operations Office  
 BY: *[Signature]* DATE: 5/13/2020

1/2 ROUND ROD - 12.000" LONG  
 (2) PLS

THIS DRAWING CREATED FOR MANUFACTURING REFERENCE ONLY AND IS NOT INTENDED TO SUPERCEDE H<sup>2</sup> PRECAST INC. DRAWINGS OR SPECIFICATIONS OF THE REFERENCED PART.

Prepared for H <sup>2</sup> PRECAST INC.			
HANDLE; TYPE 8 J BOX			
SIZE A	DRAWN BY: DREW KEIM	PROGRAM NUMBER: 716-T811	REV.
		DATE CREATED: 7/23/12	
SCALE: NONE	CAD FILE: 11 HANDLE	SHEET 1 of 1	

THE INFORMATION CONTAINED IN THIS DRAWING IS THE SOLE PROPERTY OF H<sup>2</sup> PRECAST INC. ANY REPRODUCTION IN PART OR WHOLE WITHOUT THE WRITTEN PERMISSION OF FM&M IS PROHIBITED.

This assembly is constructed and tested to conform with WSDOT Standard Specification 9-29.2(2), Standard Duty Junction Boxes.

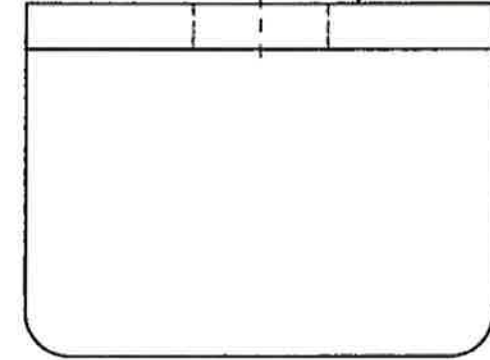
REV	DESCRIPTION	DATE	INITIALS
A	ADDED CHAMFER NOTE	6/10/14	DK



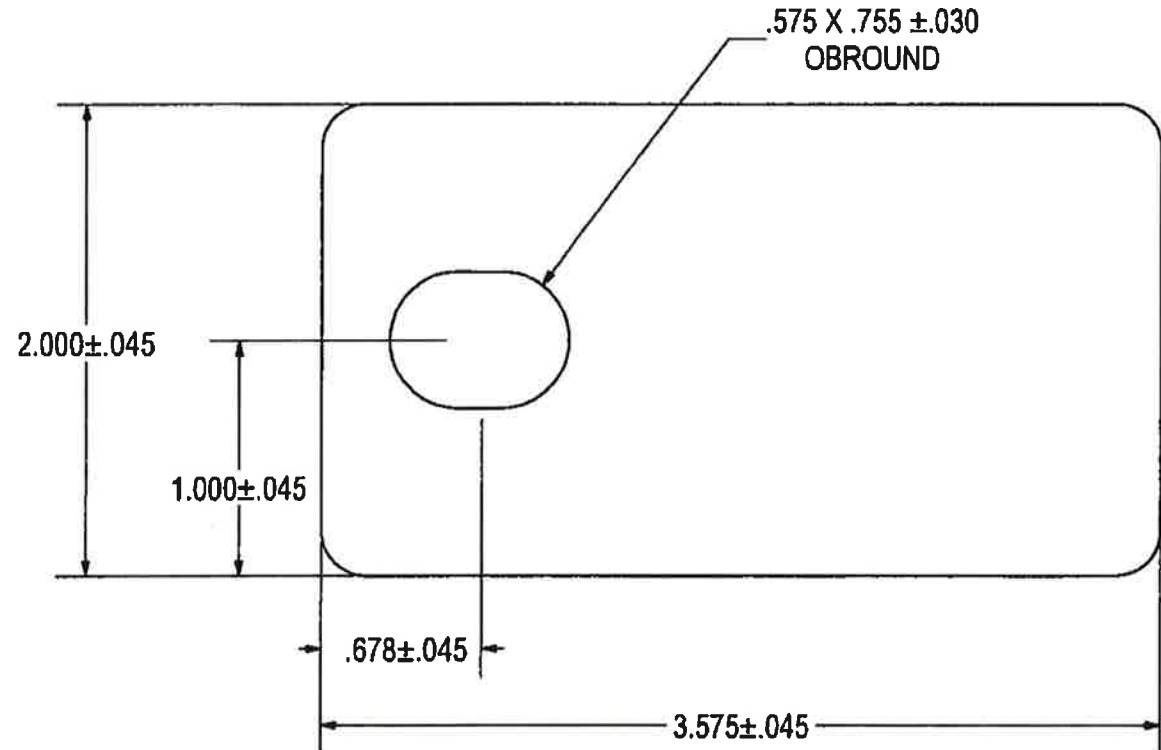
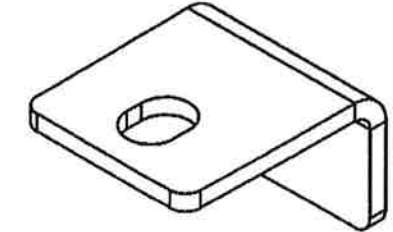
6/11/15  
1.500±.045

2.400±.045

FORMED DETAILS



BREAK EDGE  
(1/16" CHAMFER)  
TOP / EXTERIOR  
EDGES ONLY.  
(3X) EDGES.



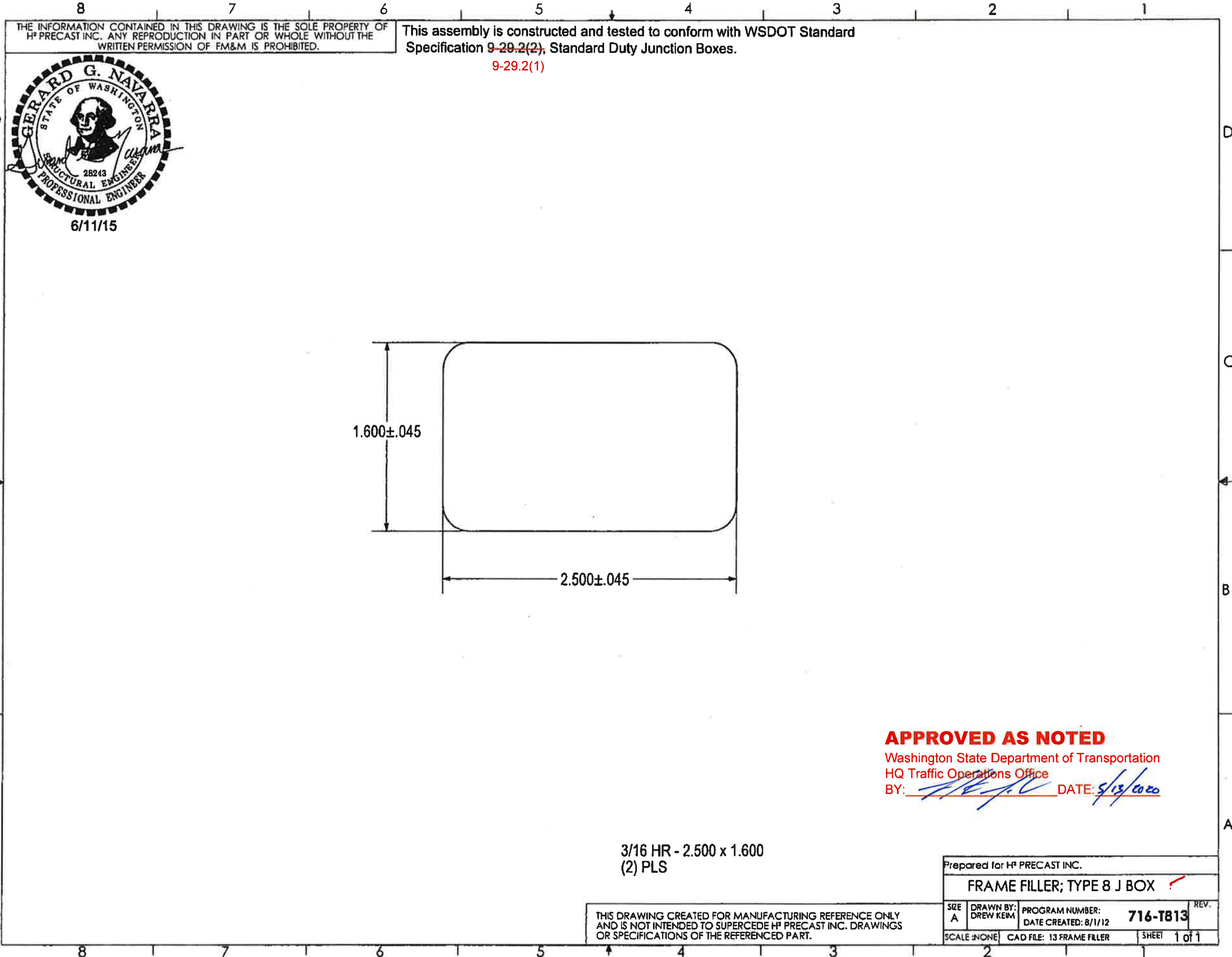
FLAT PATTERN

**APPROVED AS NOTED**  
Washington State Department of Transportation  
HQ Traffic Operations Office  
BY: *[Signature]* DATE: 5/13/2020

3/16HR - 3.575 X 2.000  
X = .325 @ 90° .188 R

THIS DRAWING CREATED FOR MANUFACTURING REFERENCE ONLY AND IS NOT INTENDED TO SUPERCEDE H<sup>2</sup> PRECAST INC. DRAWINGS OR SPECIFICATIONS OF THE REFERENCED PART.

Prepared for H <sup>2</sup> PRECAST INC.			
LATCH HOUSING, TYPE 8 J BOX			
SIZE A	DRAWN BY: DREW KEIM	PROGRAM NUMBER: 716-T812	REV. A
SCALE: NONE		DATE CREATED: 8/21/12	
CAD FILE: 12 LATCH HOUSING.TB		SHEET 1 of 1	



THE INFORMATION CONTAINED IN THIS DRAWING IS THE SOLE PROPERTY OF H<sup>2</sup> PRECAST INC. ANY REPRODUCTION IN PART OR WHOLE WITHOUT THE WRITTEN PERMISSION OF FM&M IS PROHIBITED.

This assembly is constructed and tested to conform with WSDOT Standard Specification ~~9-29.2(2)~~ Standard Duty Junction Boxes.  
9-29.2(1)



**APPROVED AS NOTED**  
 Washington State Department of Transportation  
 HQ Traffic Operations Office  
 BY: *[Signature]* DATE: 5/13/2020

3/16 HR - 2.500 x 1.600  
 (2) PLS

THIS DRAWING CREATED FOR MANUFACTURING REFERENCE ONLY AND IS NOT INTENDED TO SUPERCEDE H<sup>2</sup> PRECAST INC. DRAWINGS OR SPECIFICATIONS OF THE REFERENCED PART.

Prepared for H <sup>2</sup> PRECAST INC.			
FRAME FILLER; TYPE 8 J BOX ✓			
SIZE A	DRAWN BY: DREW KEIM	PROGRAM NUMBER: DATE CREATED: 8/1/12	REV. <b>716-T813</b>
SCALE: NONE	CAD FILE: 13 FRAME FILLER	SHEET 1 of 1	

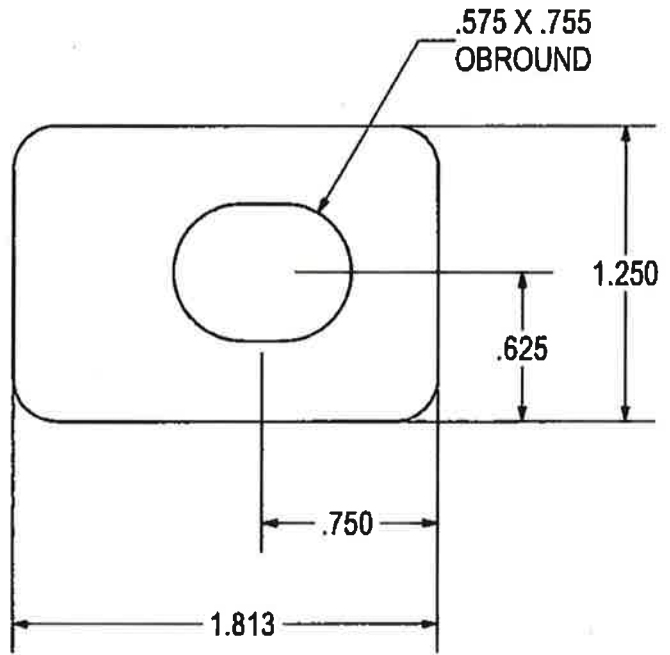
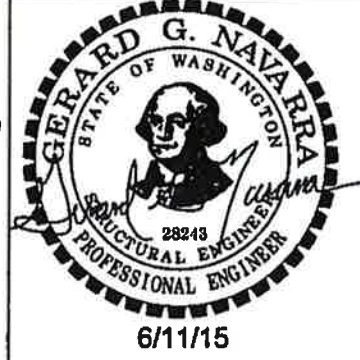


8 7 6 5 4 3 2 1

THE INFORMATION CONTAINED IN THIS DRAWING IS THE SOLE PROPERTY OF H<sup>2</sup> PRECAST INC. ANY REPRODUCTION IN PART OR WHOLE WITHOUT THE WRITTEN PERMISSION OF FM&M IS PROHIBITED.

This assembly is constructed and tested to conform with WSDOT Standard Specification ~~9-29.2(2)~~, Standard Duty Junction Boxes.  
9-29.2(1)

REV	DESCRIPTION	DATE	INITIALS
A	1/4" HR WAS 3/8" HR	6/5/14	DK



**APPROVED AS NOTED**  
 Washington State Department of Transportation  
 HQ Traffic Operations Office  
 BY: [Signature] DATE: 5/13/2020

1/4 HR - 1.813 X 1.250  
(1) REQ'D

THIS DRAWING CREATED FOR MANUFACTURING REFERENCE ONLY AND IS NOT INTENDED TO SUPERCEDE H<sup>2</sup> PRECAST INC. DRAWINGS OR SPECIFICATIONS OF THE REFERENCED PART.

Prepared for H <sup>2</sup> PRECAST INC.			
LOCK LATCH ✓			
SIZE A	DRAWN BY: DREW KEIM	PROGRAM NUMBER: 716-L002	REV. A
HOLES ± 0.030 X.XXX ± 0.060 ANGLES ± 1.0°		DATE CREATED: 5/21/12	SHEET 1 of 1
SCALE: NONE	CAD FILE: 716-L002A		

D  
C  
B  
A

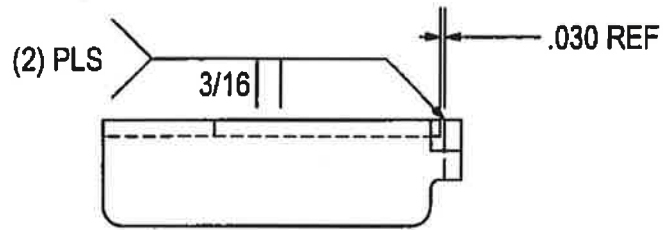
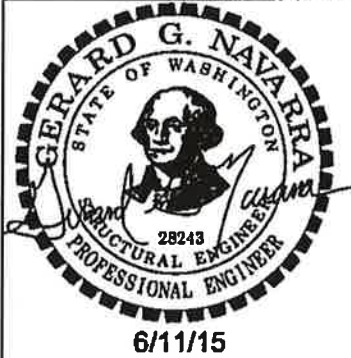
D  
C  
B  
A

8 7 6 5 4 3 2 1

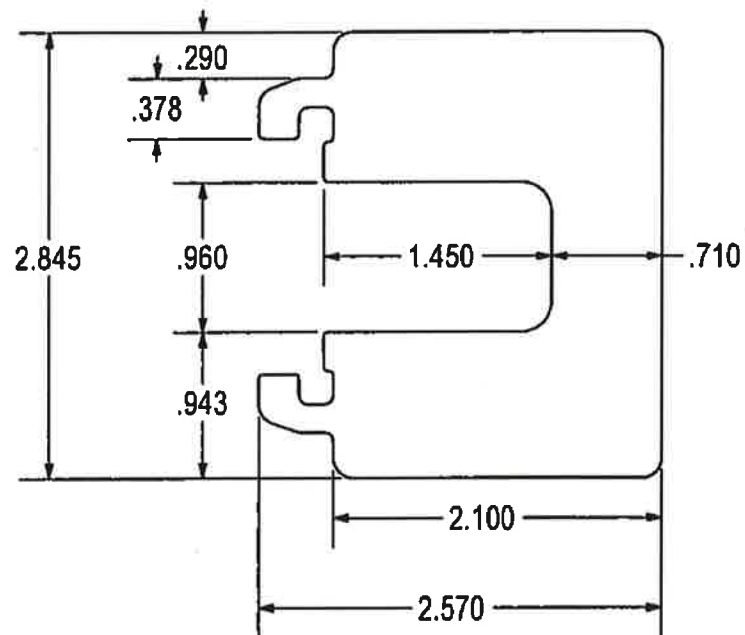
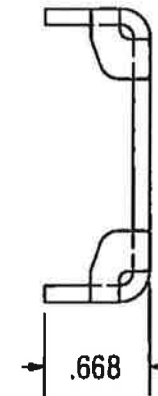
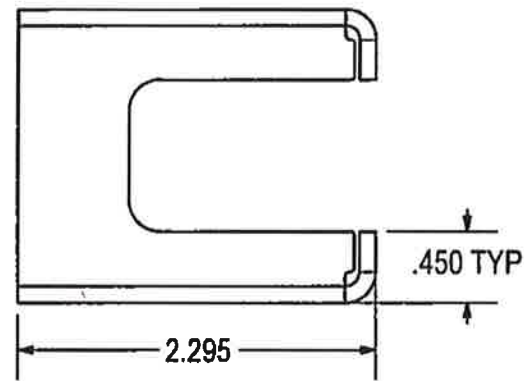
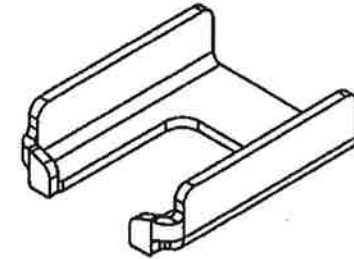
THE INFORMATION CONTAINED IN THIS DRAWING IS THE SOLE PROPERTY OF H<sup>P</sup> PRECAST INC. ANY REPRODUCTION IN PART OR WHOLE WITHOUT THE WRITTEN PERMISSION OF FM&M IS PROHIBITED.

This assembly is constructed and tested to conform with WSDOT Standard Specification 9-29.2(2), Standard Duty Junction Boxes.  
9-29.2(1)

REV	DESCRIPTION	DATE	INITIALS
A	REDESIGNED. SHORTENED. ADDED SIDE FLANGES.	6/10/14	DK



FORMED DETAILS



FLAT PATTERN

12 GA HR - 3.095 X 2.570  
X = .175 @ 90° .090 R  
(1) REQ'D

**APPROVED AS NOTED**

Washington State Department of Transportation  
HQ Traffic Operations Office  
BY: *[Signature]* DATE: 5/13/2020

Prepared for H <sup>P</sup> PRECAST INC.			
<b>LATCH GUIDE</b>			
SIZE A	DRAWN BY: DREW KEIM	PROGRAM NUMBER: DATE CREATED: 5/21/12	716-L004 REV. A
SCALE: NONE	CAD FILE: 716-L004A	SHEET 1 of 1	

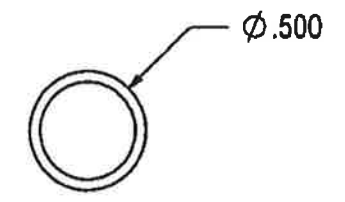
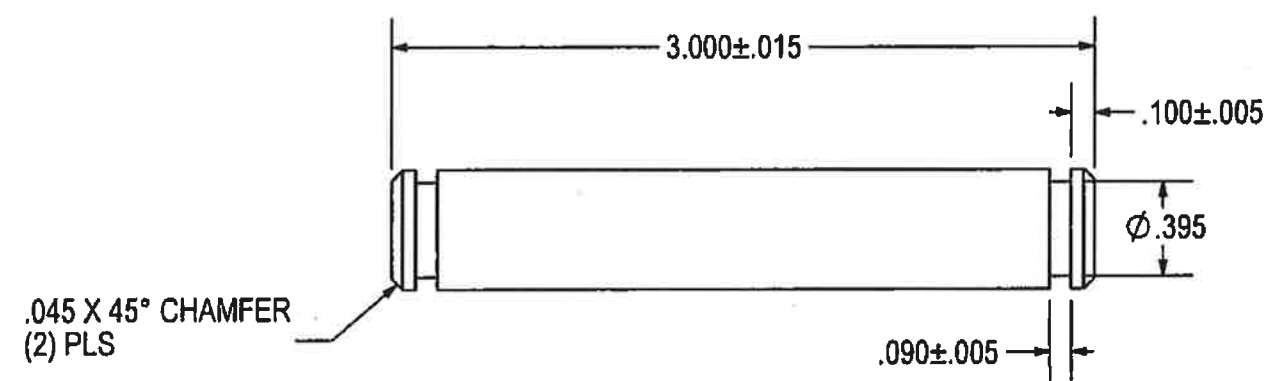
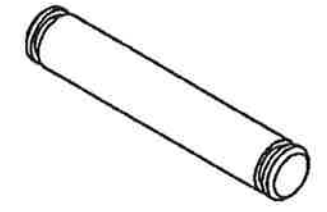
THIS DRAWING CREATED FOR MANUFACTURING REFERENCE ONLY AND IS NOT INTENDED TO SUPERCEDE H<sup>P</sup> PRECAST INC. DRAWINGS OR SPECIFICATIONS OF THE REFERENCED PART.

THE INFORMATION CONTAINED IN THIS DRAWING IS THE SOLE PROPERTY OF H<sup>2</sup> PRECAST INC. ANY REPRODUCTION IN PART OR WHOLE WITHOUT THE WRITTEN PERMISSION OF FM&M IS PROHIBITED.

This assembly is constructed and tested to conform with WSDOT Standard Specification 9-29.2(2), Standard Duty Junction Boxes.  
9-29.2(1)



6/11/15

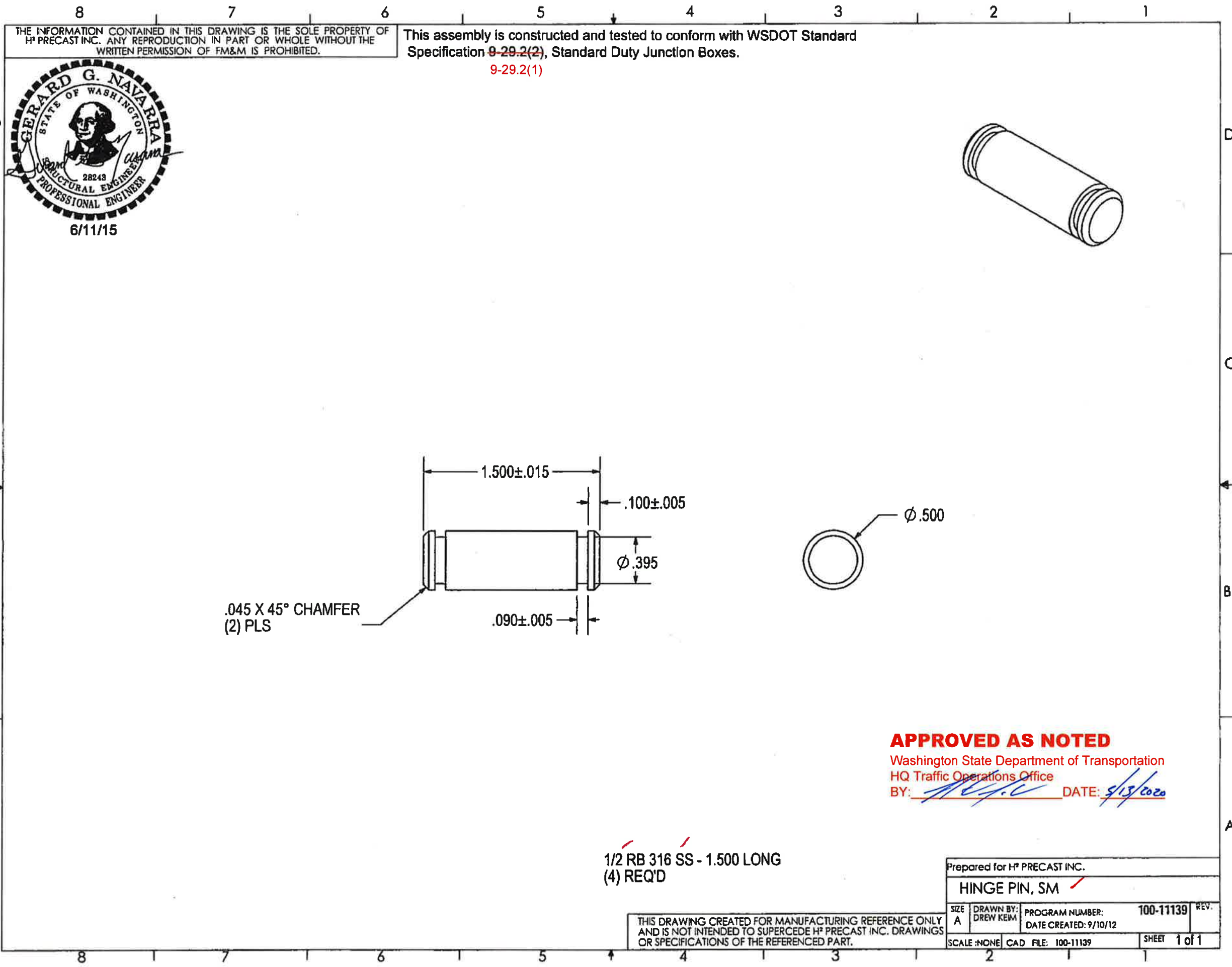


**APPROVED**  
Washington State Department of Transportation  
HQ Traffic Operations Office  
BY: [Signature] DATE: 5/13/2020

1/2 RB 316 SS - 3.000 LONG  
(4) REQ'D

THIS DRAWING CREATED FOR MANUFACTURING REFERENCE ONLY AND IS NOT INTENDED TO SUPERCEDE H<sup>2</sup> PRECAST INC. DRAWINGS OR SPECIFICATIONS OF THE REFERENCED PART.

Prepared for H <sup>2</sup> PRECAST INC.			
HINGE PIN, LARGE			
SIZE A	DRAWN BY: DREW KEIM	PROGRAM NUMBER: 100-11138	REV.
HOLES ± 0.030 X.XXX ± 0.060 ANGLES ± 1.0°	DATE CREATED: 9/10/12	SHEET 1 of 1	
SCALE: NONE	CAD FILE: 100-11138		



THE INFORMATION CONTAINED IN THIS DRAWING IS THE SOLE PROPERTY OF H<sup>2</sup> PRECAST INC. ANY REPRODUCTION IN PART OR WHOLE WITHOUT THE WRITTEN PERMISSION OF FM&M IS PROHIBITED.

This assembly is constructed and tested to conform with WSDOT Standard Specification ~~9-29.2(2)~~, Standard Duty Junction Boxes.

9-29.2(1)



6/11/15

.045 X 45° CHAMFER  
(2) PLS

1/2 RB 316 SS - 1.500 LONG  
(4) REQ'D

**APPROVED AS NOTED**

Washington State Department of Transportation  
HQ Traffic Operations Office  
BY: [Signature] DATE: 5/13/2020

THIS DRAWING CREATED FOR MANUFACTURING REFERENCE ONLY AND IS NOT INTENDED TO SUPERCEDE H<sup>2</sup> PRECAST INC. DRAWINGS OR SPECIFICATIONS OF THE REFERENCED PART.

Prepared for H <sup>2</sup> PRECAST INC.			
HINGE PIN, SM ✓			
SIZE A	DRAWN BY: DREW KEIM	PROGRAM NUMBER: 100-11139	REV.
		DATE CREATED: 9/10/12	
SCALE: NONE	CAD FILE: 100-11139	SHEET 1 of 1	