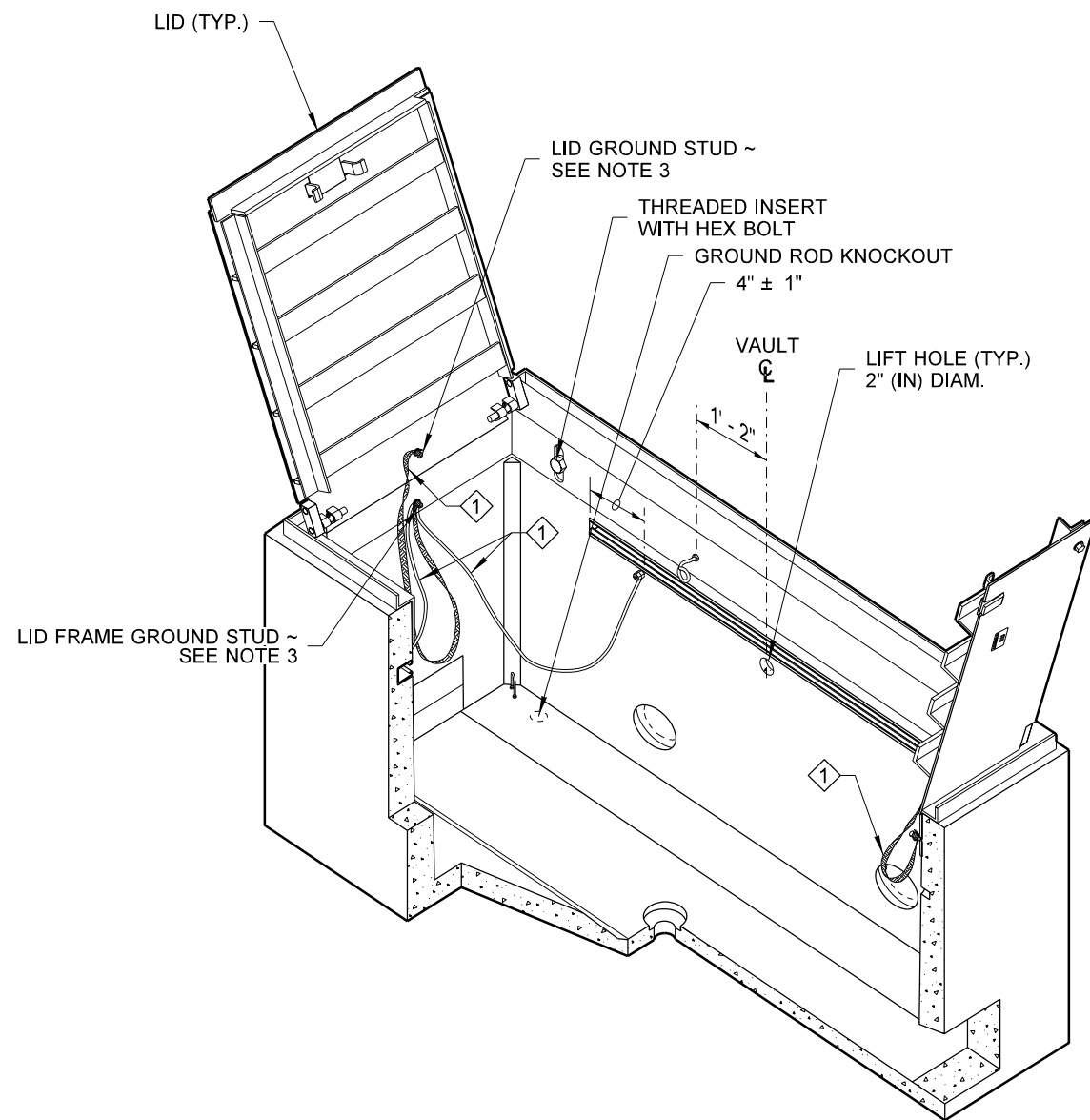
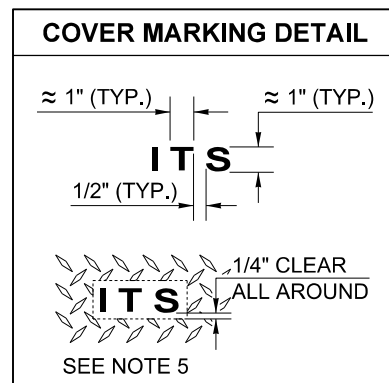


DRAWN BY: FERN LIDDELL



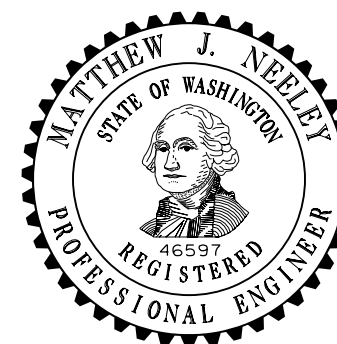
ISOMETRIC CUTAWAY ASSEMBLY

**NOTES**

1. The diamond pattern shall be a minimum of 3/32" (in) thick.
2. Slip-resistant lids shall be identified with a permanent marking on the underside of the lid, indicating the type of surface treatment (see Contract Documents for details) and the year of manufacture. The marking shall use 1/8" (in) thick lines formed with a weld bead, and shall be placed prior to galvanizing.
3. A 1/4 - 20 UNC x 1" (in) ground stud with three nuts and two flat washers shall be welded to each lid and coated with anti-seize compound. A 1/4 - 20 UNC x 1" (in) ground stud with three nuts and four washers shall be welded to the frame and coated with anti-seize compound. See **Standard Plan J-90.50** for grounding and bonding details.
4. The bonding jumper between the lid and the frame shall be #8 AWG (min.) x 4' (ft) tinned braided copper.
5. The system identification letters shall be 1/8" (in) line thickness formed with a mild steel weld bead. See **COVER MARKING DETAIL, See Standard Specification Section 9-29.2(4)**.
6. Cement concrete shall be Class 4000.
7. Conduit Capacity = 40 inches (sum total of all conduit diameters).
8. Typical Small Cable Vault features and arrangement shown. Reinforcing not shown. Dimensions and arrangements will vary slightly by manufacturer. See Approved shop drawings.
9. Small Cable Vaults for WSDOT Projects shall only be installed with the lid frame bearing on the concrete portion of cable vault.

\* BOLTS, NUTS AND WASHERS ~  
**ASTM F593 OR A193,**  
**TYPE 304 OR TYPE 316**  
**STAINLESS STEEL (S.S.)**

◇ EQUIPMENT BONDING JUMPER (SEE NOTE 4)



**SMALL CABLE VAULT**

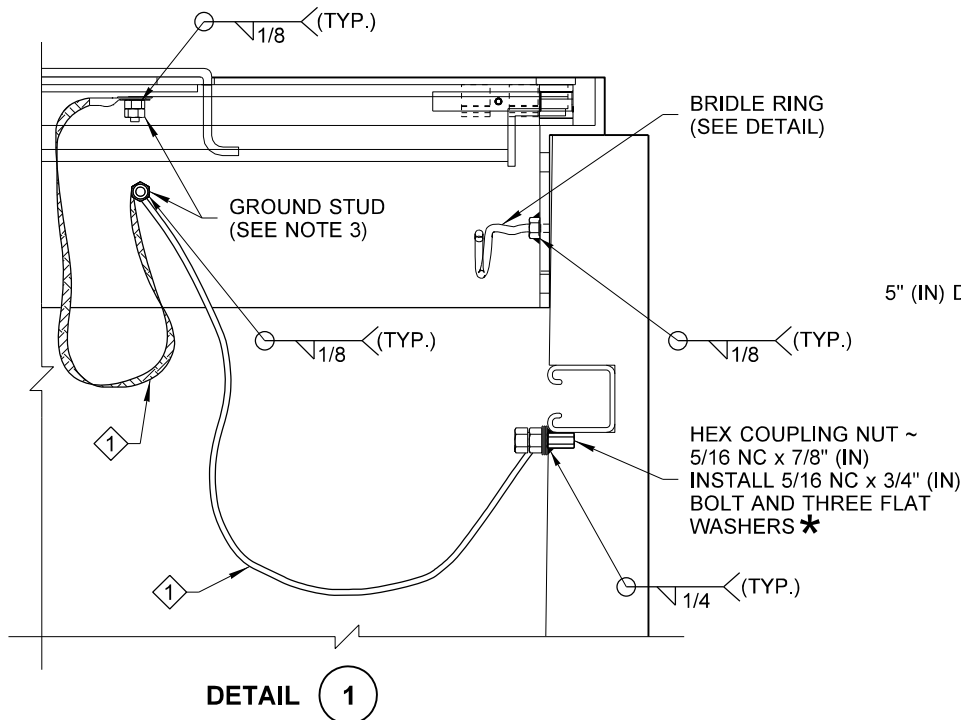
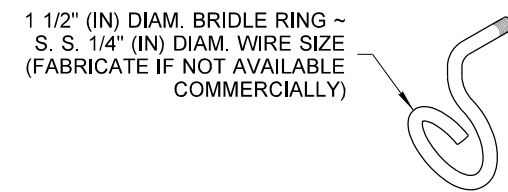
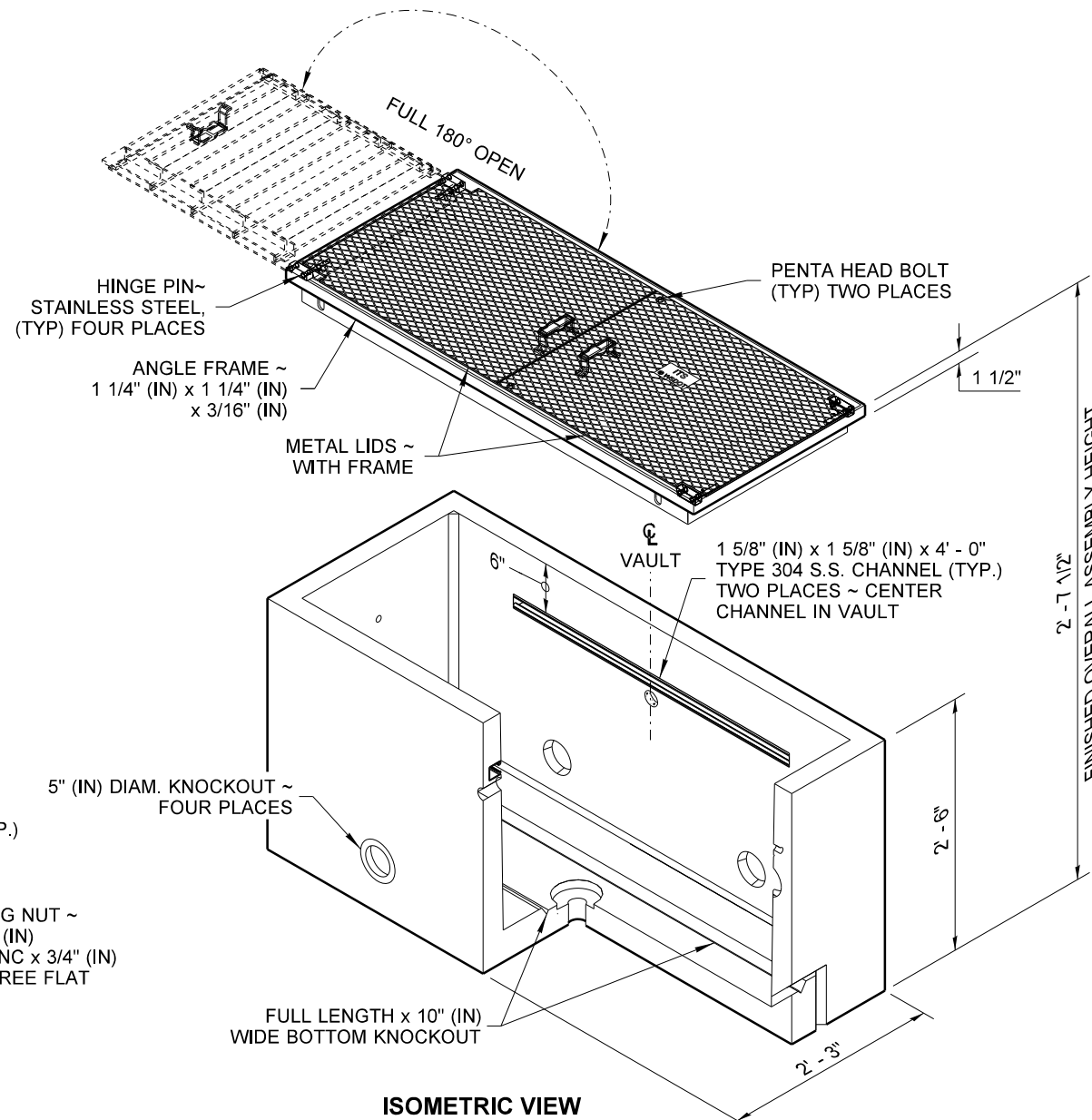
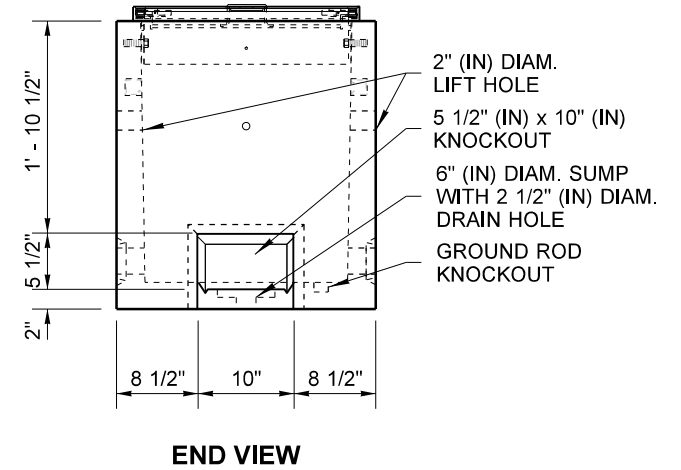
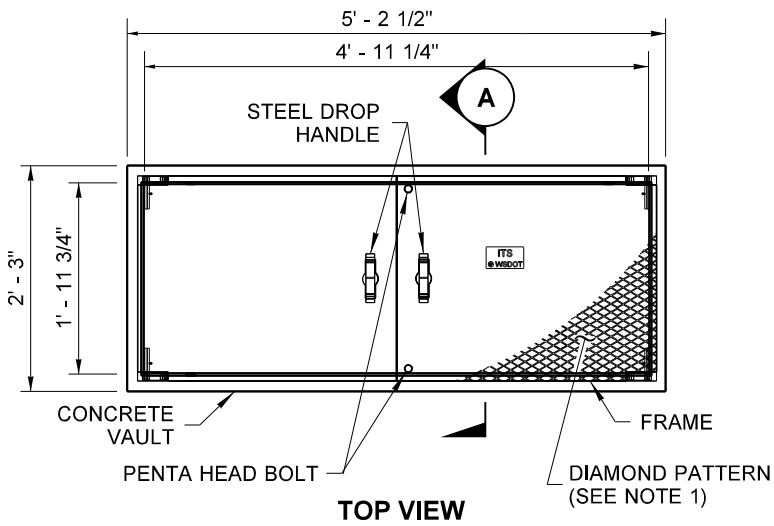
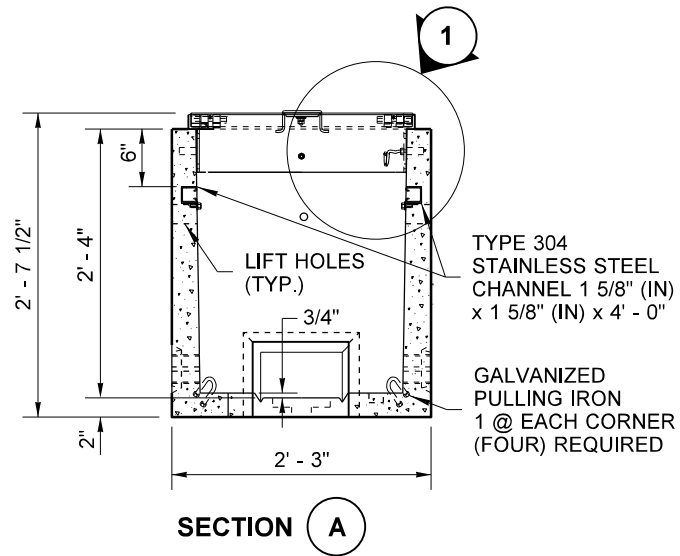
**STANDARD PLAN J-90.21-02**

SHEET 1 OF 2 SHEETS

APPROVED FOR PUBLICATION

STATE DESIGN ENGINEER  
 Washington State Department of Transportation

DRAWN BY: FERN LIDDELL



SEE ISOMETRIC CUTAWAY ASSEMBLY ~ SHEET 1, FOR DIMENSIONS NOT SHOWN



**SMALL CABLE VAULT**  
**STANDARD PLAN J-90.21-02**

SHEET 2 OF 2 SHEETS

APPROVED FOR PUBLICATION

STATE DESIGN ENGINEER  
 Washington State Department of Transportation