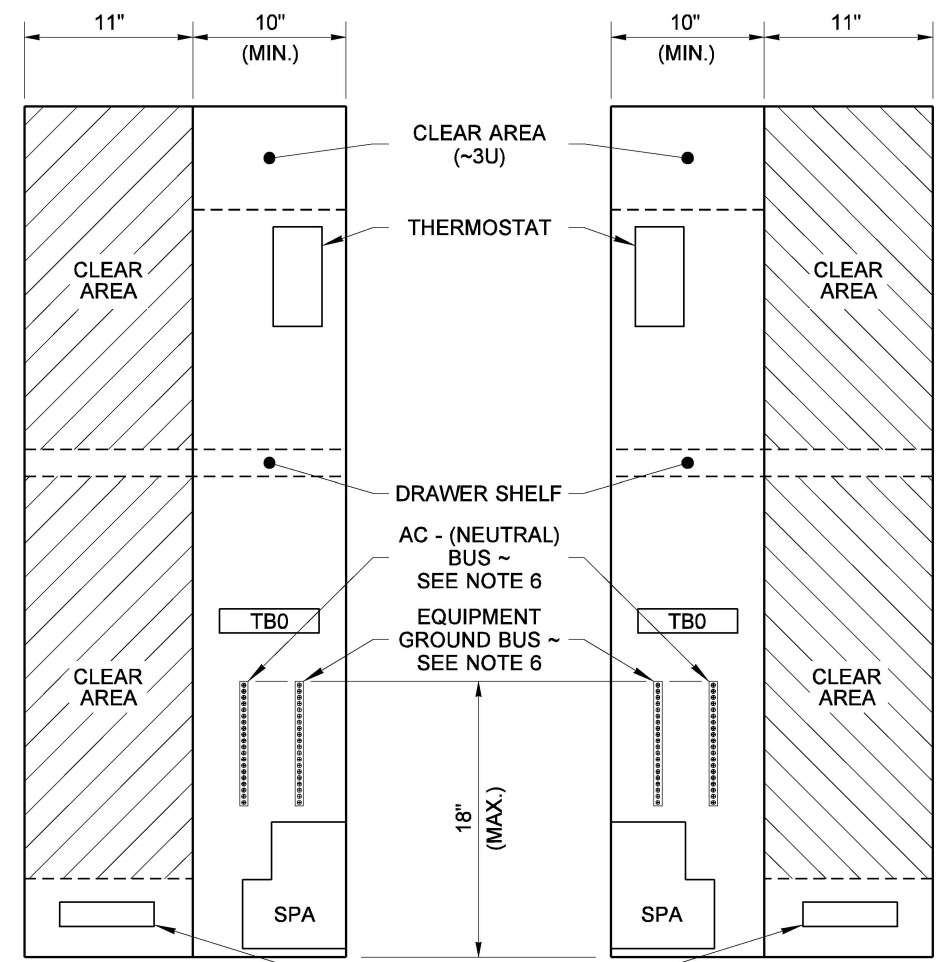


FRONT VIEW

REAR VIEW



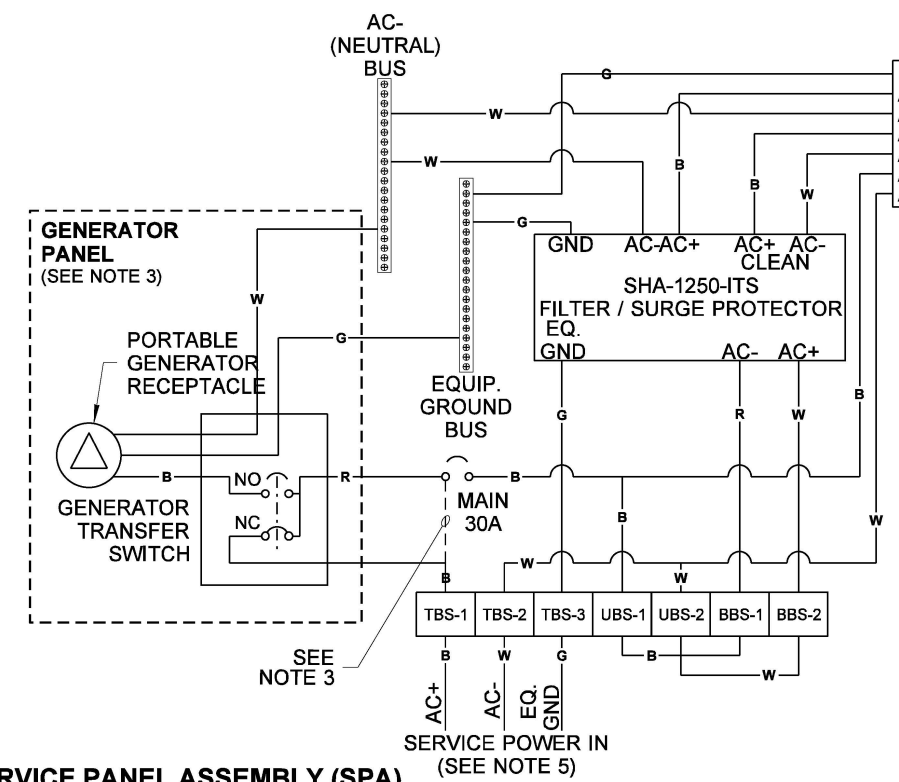
SERVICE PANEL #1T
STANDARD LAYOUT
(SEE NOTE 2)

SERVICE PANEL #1TR
MIRRORED LAYOUT
(SEE NOTE 5)

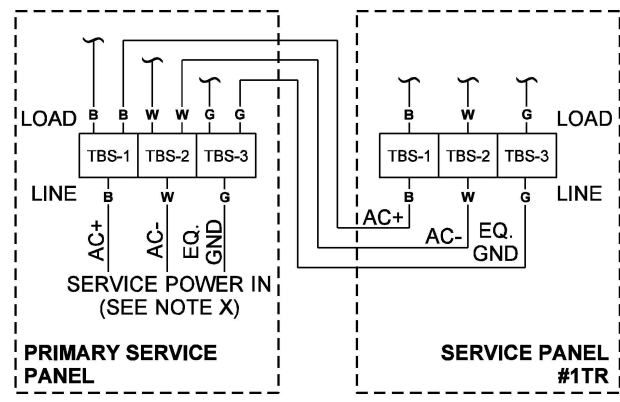
NOTES

1. Equipment shall meet the requirements of and be constructed in accordance with the **California Department of Transportation (CalTrans) Transportation Electrical Equipment Specs. (TEES)** as currently published, including all errata, with modifications as shown here and described in **Standard Specification 9-29.13(12)**.
2. Service Panel #1T shall meet the requirements of Service Panel #1 in the TEES, with the modifications shown here.
3. When a Generator Transfer Switch is not required, connect input terminal TBS-1 (AC+) directly to the SPA main breaker.
4. Where a fiber-optic patch panel is specified, it shall be installed with the top of the panel 1U below the top of the equipment rack. Patch panels vary in size from 1U to 5U.
5. When used as the left half (ITS/Comm side) of a 33xD series double-width cabinet, Service Panel #1T shall be constructed mirrored (as Service Panel #1TR). Service Panel #1TR shall be wired in series from the service panel serving the other half of the cabinet (primary Service panel) as shown, unless a separate power feed is provided for each half of the cabinet.
6. Bus Bars shall be capable of being used without installing lugs on field wires.
7. See **Standard Plan J-84.05** for PDA-ITS details.

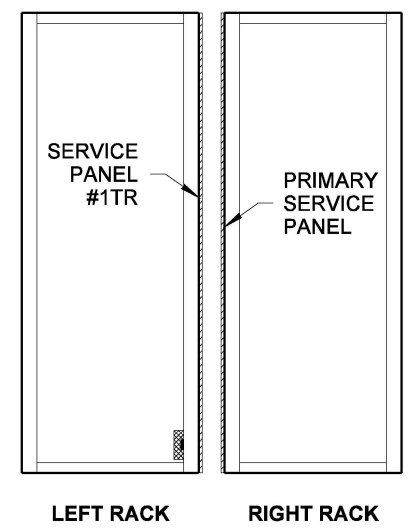
DRAWN BY: BILL BERENS



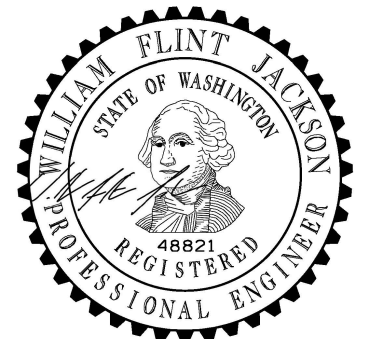
SERVICE PANEL ASSEMBLY (SPA)
WIRING DIAGRAM



33xD CABINET INPUT POWER WIRING
(SEE NOTE 5)



33xD CABINET SERVICE PANEL LAYOUT
(SEE NOTE 5)



Aug 30, 2022

**TYPE 331 CABINET
BASIC LAYOUT**

STANDARD PLAN J-80.05-00

SHEET 1 OF 1 SHEET

APPROVED FOR PUBLICATION
Mark Gaines
 Mark Gaines (Aug 30, 2022 11:30 PDT)
 STATE DESIGN ENGINEER
 Washington State Department of Transportation
 Aug 30, 2022