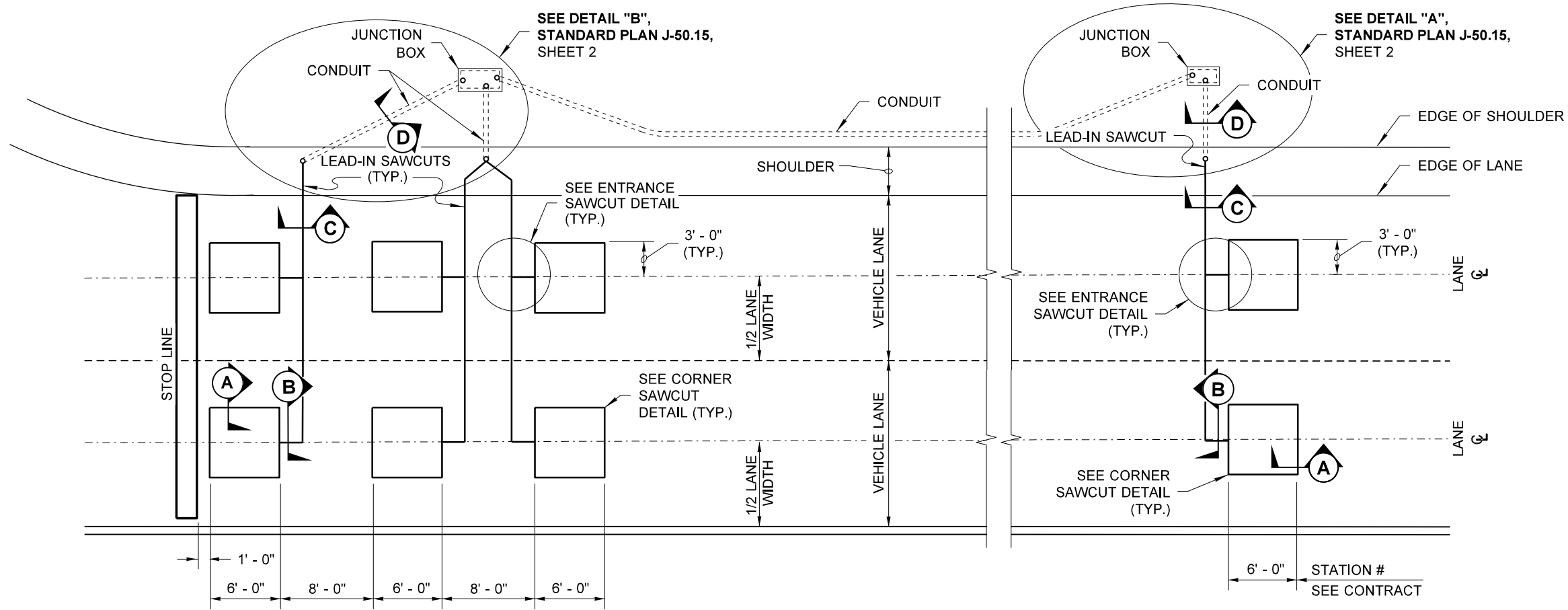


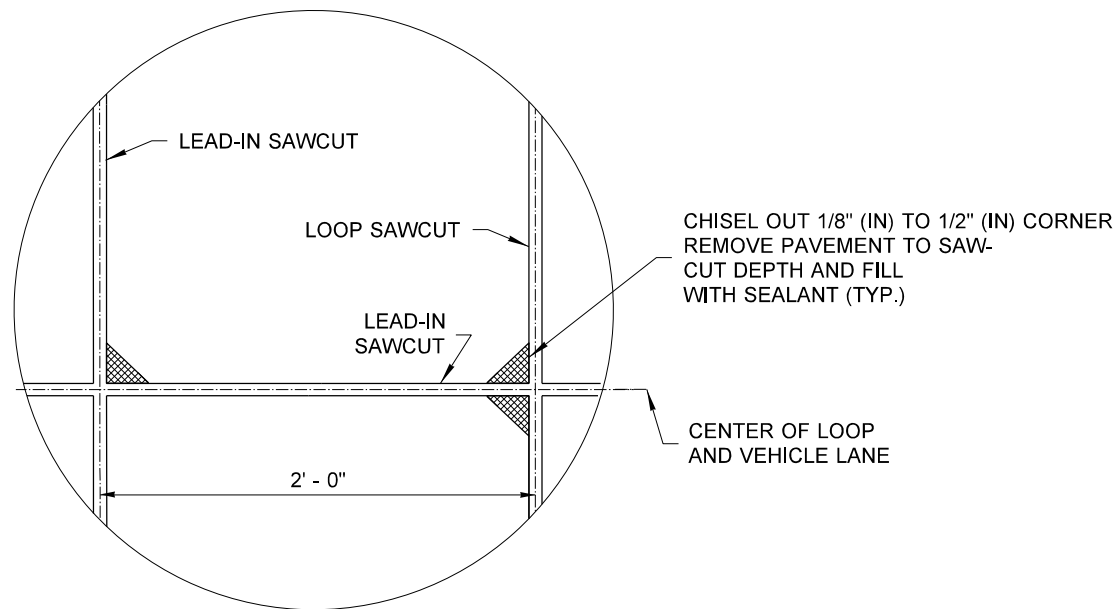
DRAWN BY: FERN LIDDELL



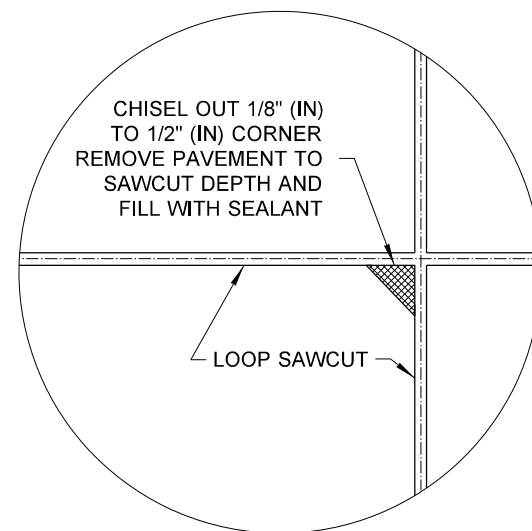
TYPE 2S (STOP LINE) LOOP ARRAY

TYPE 2A (ADVANCE) LOOPS

PLAN



ENTRANCE SAWCUT DETAIL



CORNER SAWCUT DETAIL

NOTES

1. For Installation Notes and Details see **Standard Plan J-50.15**.
2. For **Sections A, B, C, and D**, see **Standard Plan J-50.15**.
3. All of the loop lead-in wires shall return to the Junction Box.
4. For additional Induction Loop details, see **Standard Plan J-50.15**.
5. For wiring details, see **Standard Plan J-50.18**.



**TYPE 2 INDUCTION LOOP
STANDARD PLAN J-50.11-02**

SHEET 1 OF 1 SHEET

APPROVED FOR PUBLICATION

STATE DESIGN ENGINEER
Washington State Department of Transportation