

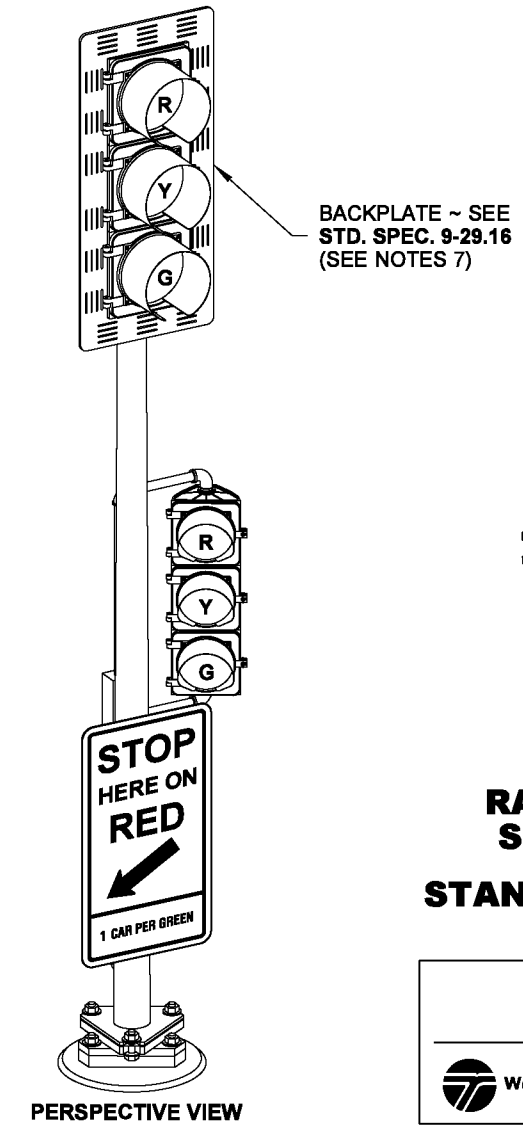
SIGN PLACEMENT DETAIL
(SEE NOTE 9)

1 BACKPLATES NOT SHOWN FOR CLARITY.

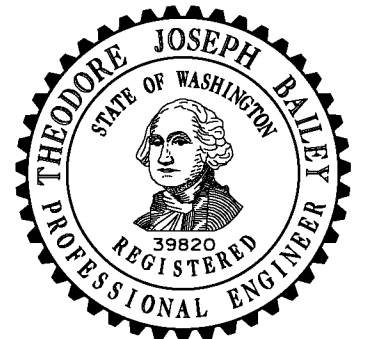
RAMP METER SIGNAL STANDARD 1
SLIP BASE SHOWN

NOTES

1. See **Standard Plan J-21.10** for Signal Standard Foundation Details.
2. Steel shaft shall be tapered either round or dodecagon (12-sided), 11-gage, 4 1/2" (in) O.D. at slipfitter. Taper shall be 0.14" (in) per foot.
3. All poles shall be hot-dip galvanized per **AASHTO M111**.
4. Welding of structures shall be in accordance with the latest edition of the **AWS D1.1 Structural Welding Code - Steel**. All butt welds shall be ground flush with base metal.
5. See **Standard Plan J-22.16** for Wiring and Electrical Details.
6. Junction Box serving the Standard shall be located no more than 10' - 0" (5' - 0" preferred) from the Standard.
7. A backplate shall be installed on the Upper Traffic Signal Head. Install a backplate on the Lower Traffic Signal Head only when required by the contract. Do not install retro-reflective tape on backplates.
8. For Sign Installation Details, see **Standard Plan G-30.10**.
9. For Elbow Mounting Details, see **Standard Plan J-28.45**. Verify barrier angle prior to fabricating elbow.
10. For Signal Head Mounting Details, see **Standard Plan J-75.10**.
11. Standard shall use slip base if installed closer than 4' (ft) from the face of guardrail.
12. Treat surrounding pole with galvanizing repair paint meeting the requirements of **Standard Specification 9-08.1(2)**. Apply two coats. Paint shall be dry before applying second coat.
13. Hand hole shall face toward roadway for Elbow Mount Barrier installations. For all other installations, hand hole shall face the opposite direction from the Upper Traffic Signal Head. Hand hole face shall remain accessible after pole and sign installation is complete.



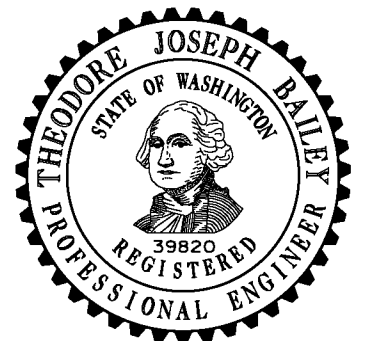
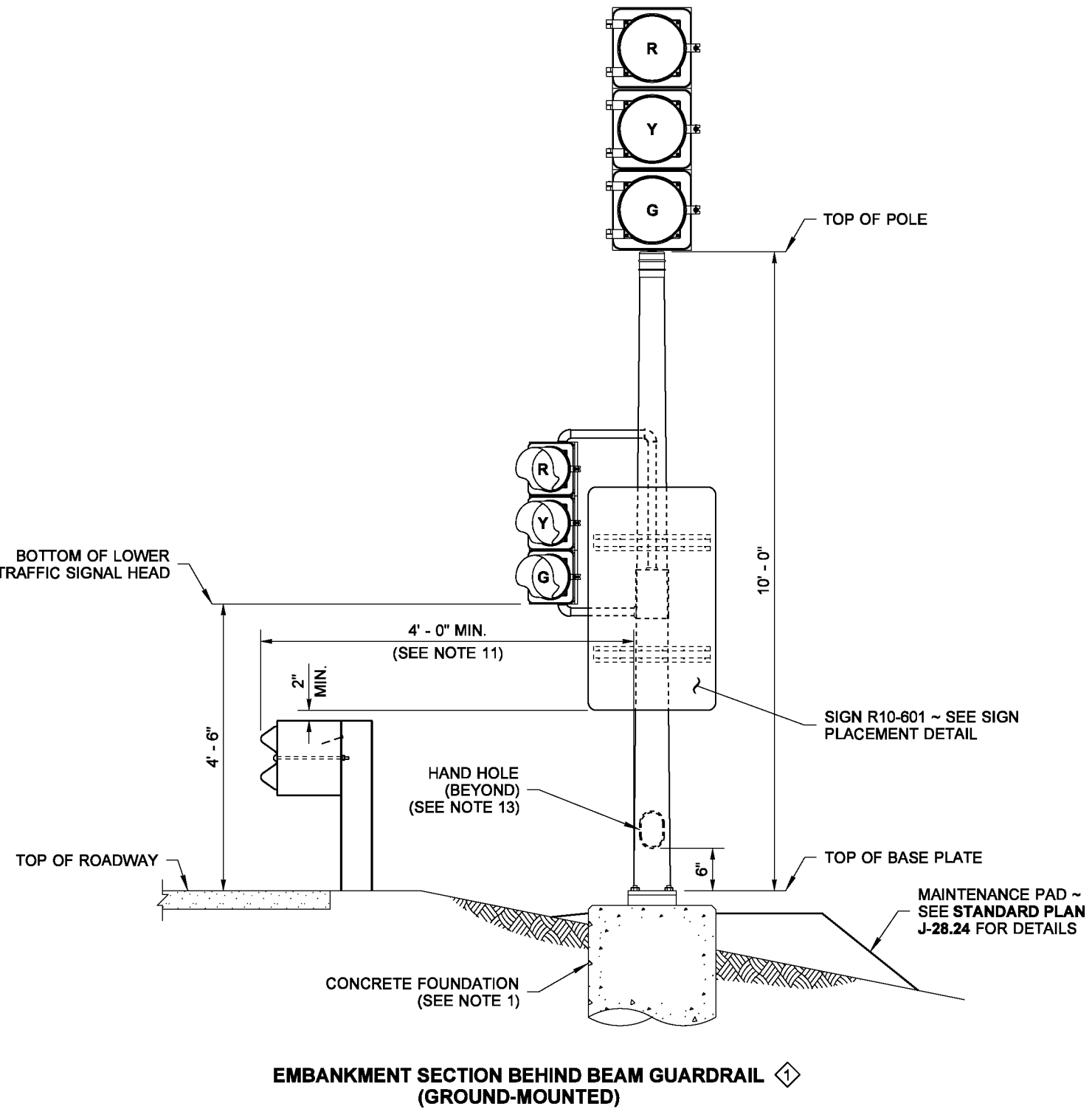
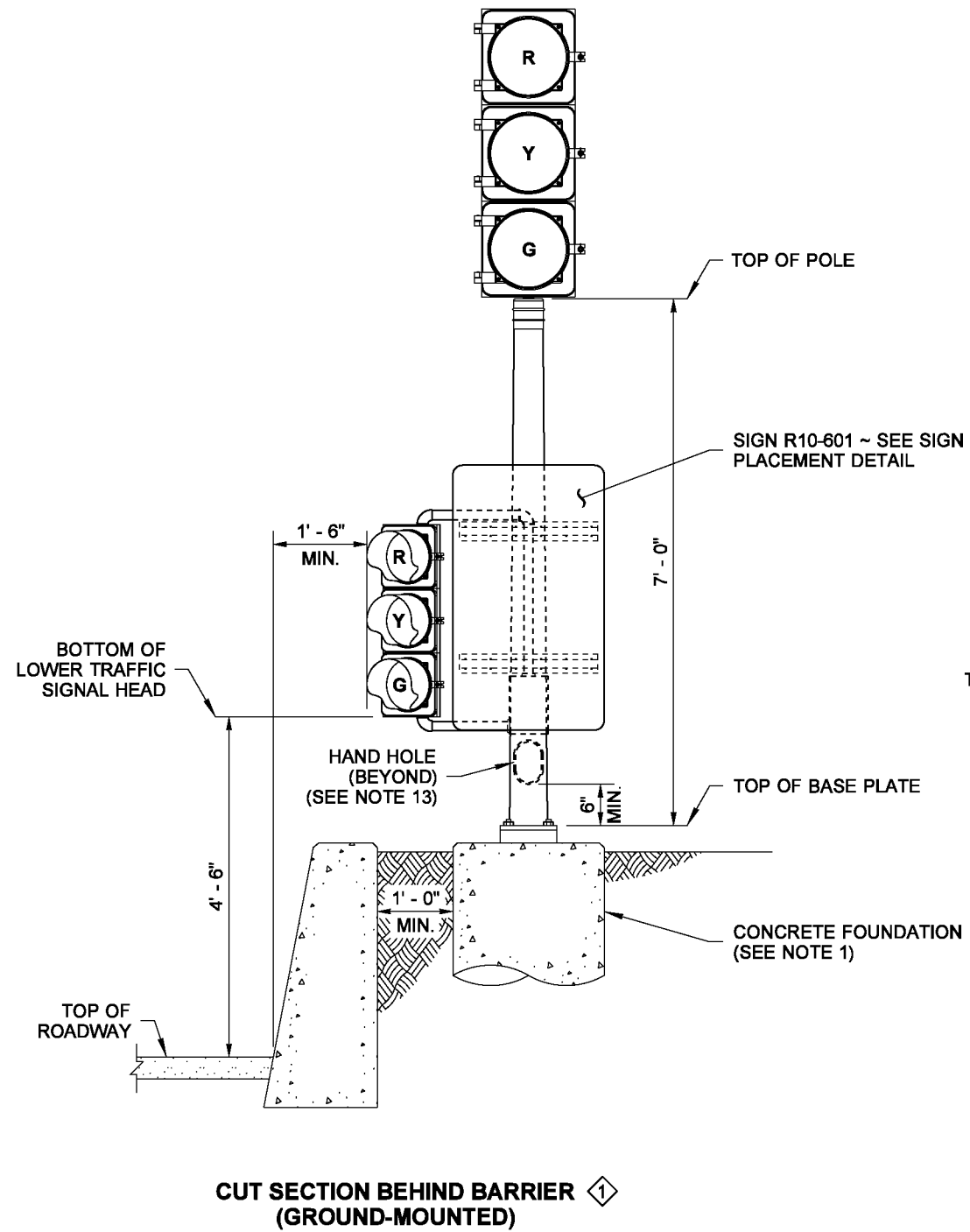
PERSPECTIVE VIEW



RAMP METER SIGNAL STANDARD DETAILS
STANDARD PLAN J-22.15-02

SHEET 1 OF 3 SHEETS
APPROVED FOR PUBLICATION

STATE DESIGN ENGINEER
Washington State Department of Transportation



**RAMP METER SIGNAL
STANDARD DETAILS**
STANDARD PLAN J-22.15-02

SHEET 2 OF 3 SHEETS

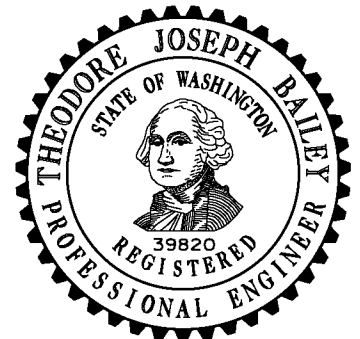
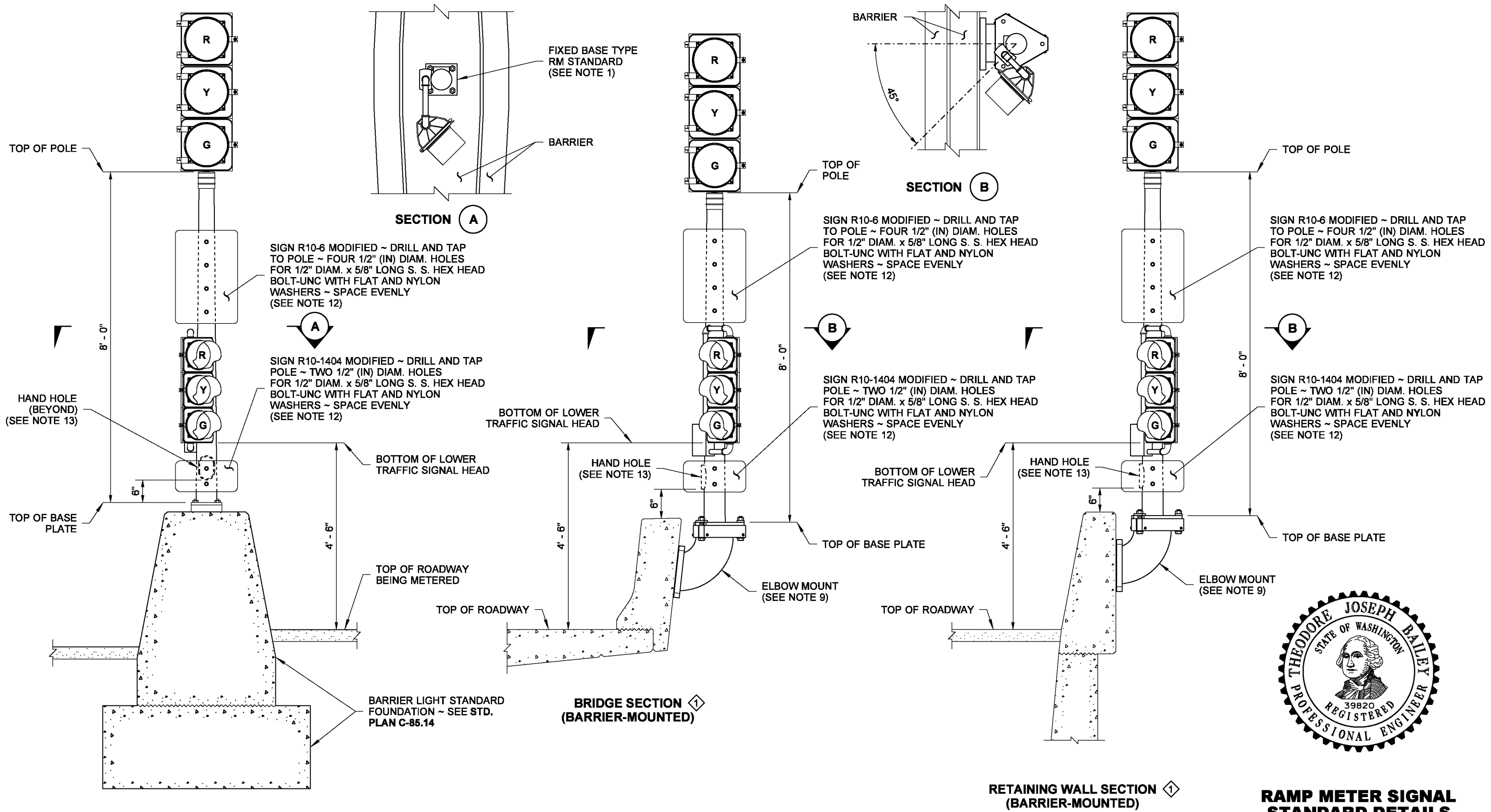
APPROVED FOR PUBLICATION

STATE DESIGN ENGINEER



1 BACKPLATES NOT SHOWN FOR CLARITY.

DRAWN BY: COLBY FLETCHER



**RAMP METER SIGNAL
STANDARD DETAILS**
STANDARD PLAN J-22.15-02

SHEET 3 OF 3 SHEETS

APPROVED FOR PUBLICATION

STATE DESIGN ENGINEER
Washington State Department of Transportation

① BACKPLATES NOT SHOWN FOR CLARITY.