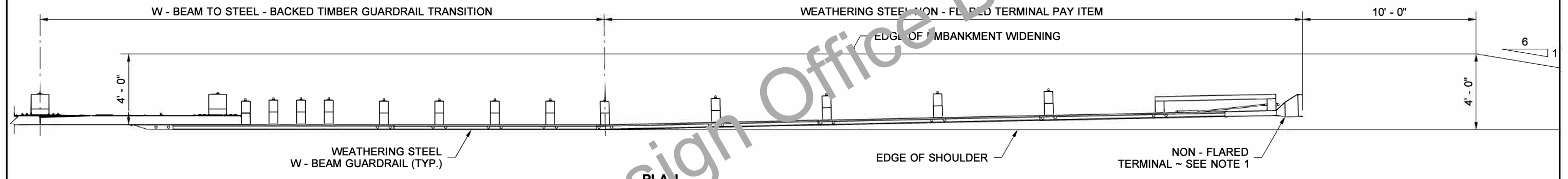


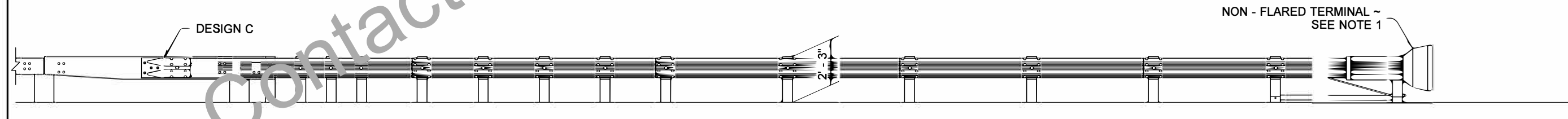
TYPICAL SECTION

NOTES

1. An ET-PLUS (TL3) as manufactured by Trinity Industries, Inc. or an SKT-350 as manufactured by Road Systems Inc. shall be installed according to manufacturer's recommendations. When a TL2 terminal is specified in the contract an ET-PLUS (TL2) as manufactured by Trinity Industries, Inc., or an SKT-TL2 as manufactured by Road Systems, Inc. shall be installed according to the manufacturer's recommendations.
2. A reflectorized object marker shall be installed according to manufacturer's recommendations.
3. When snow load post washers and snow load rail washers are required by the contract, the snow load rail washers must not be installed within the terminal limits.
4. Terminal shall be installed at a taper, ensuring that the end piece is entirely off the shoulder.
5. Length for ET-PLUS (TL3) and SKT-350 is 50'. Length for ET-PLUS (TL2) and SKT-TL2 is 25'.



ELEVATION



|   |  |  |  |                  |  |              |  |                  |  |                |  |   |  |
|---|--|--|--|------------------|--|--------------|--|------------------|--|----------------|--|---|--|
| FILE NAME S:\Design R P& S\4-Standards\2-Plan Sheet Library\02-Traffic Barrier (TB)\(TB-27) Steel-Backed Timber Guardrail E |  |  |  | Anchor\TB-27.dgn |  |              |  |                  |  |                |  | TB-27   |  |
| TIME 12:56:31 PM  |  |  |  | REGION NO. 10    |  | STATE WASH   |  | FED.AID PROJ.NO. |  |                |  |   |  |
| DATE 4/14/2009  |  |  |  | JOB NUMBER       |  | CONTRACT NO. |  | LOCATION NO.     |  |                |  |   |  |
| PLOTTED BY cyford1  |  |  |  | DATE             |  | BY           |  | P.E. STAMP BOX   |  | P.E. STAMP BOX |  |   |  |
| DESIGNED BY   |  |  |  |                  |  |              |  |                  |  |                |  | SHEET 1 OF 1 SHEETS                                 |  |
| ENTERED BY  |  |  |  |                  |  |              |  |                  |  |                |  | STEEL-BACKED TIMBER GUARDRAIL NON-FLARED TERMINAL 1 |  |
| CHECKED BY  |  |  |  |                  |  |              |  |                  |  |                |  |   |  |
| PROJ. ENGR.   |  |  |  |                  |  |              |  |                  |  |                |  |   |  |
| REGIONAL ADM.   |  |  |  | REVISION         |  | DATE         |  | BY               |  |                |  |   |  |