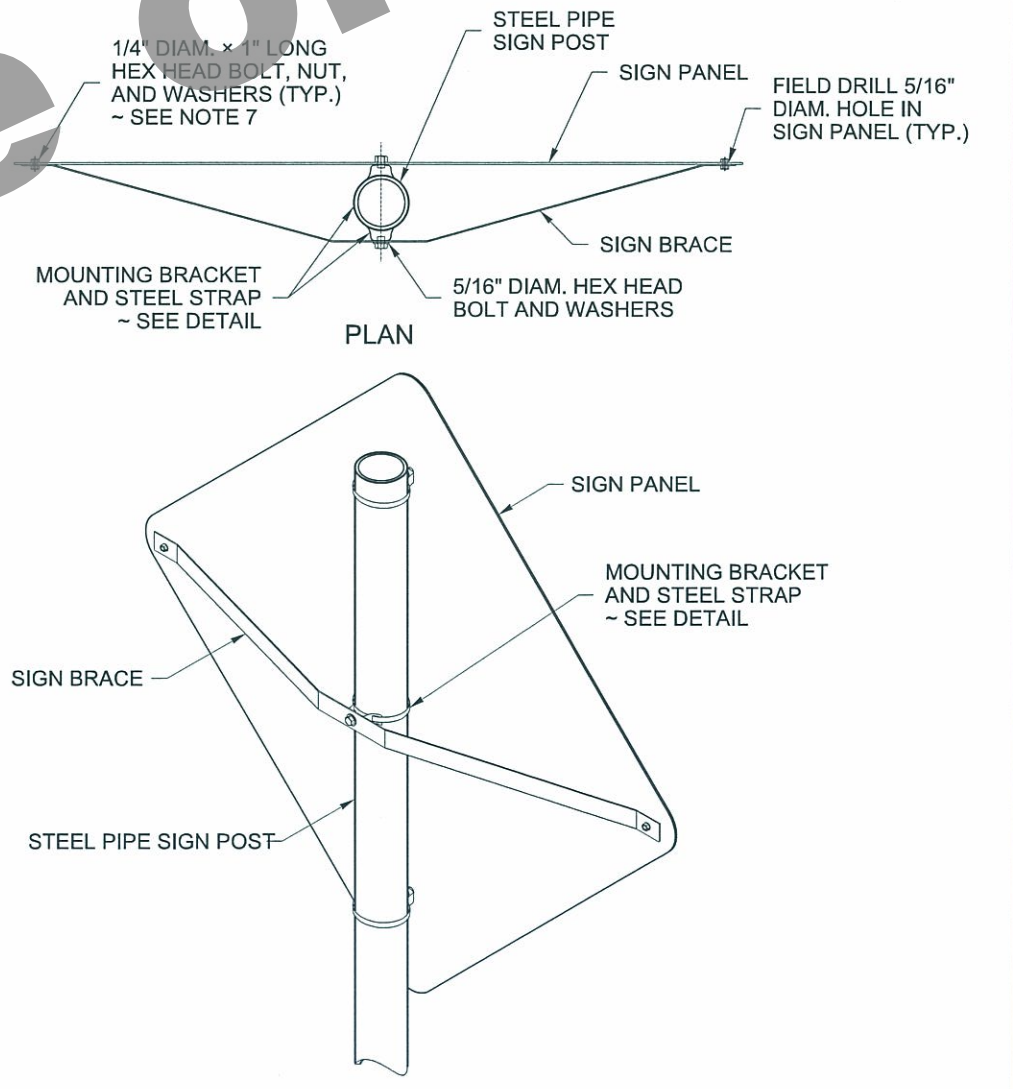


BARRIER - MOUNTED SIGN POST

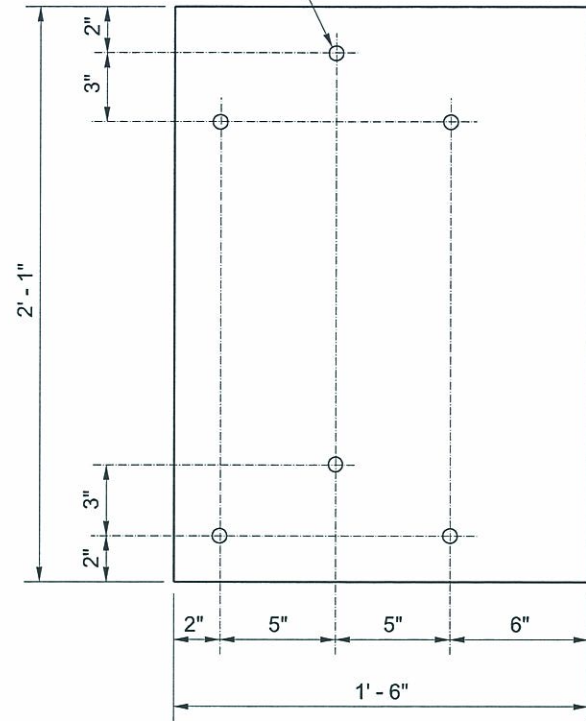
- NOTES
1. Sign post shall be installed plumb.
  2. Placement of sign shall be in accordance with Standard Specification 8-21.3(2).
  3. Center of sign panel shall be located 17' or less above the ground surface.
  4. Sign post shall be mounted on barrier with a minimum segment weight of 10,000 lbs. and a minimum width of 2' - 0" at the base. Do not mount sign post on Type 2 Pre-Cast Barrier.
  5. Saddle mount anchor bolts shall not be within 1' - 6" of the end of a barrier segment.
  6. Resin bonded anchors shall conform to Bridge Special Provisions 0221GR6 and 02318GR6.
  7. For sign panel mounting details, see Standard Plan G-50.10.
  8. Sign post assembly shall be galvanized after fabrication per AASHTO M111.



SIGN BRACE ON SIGN POST

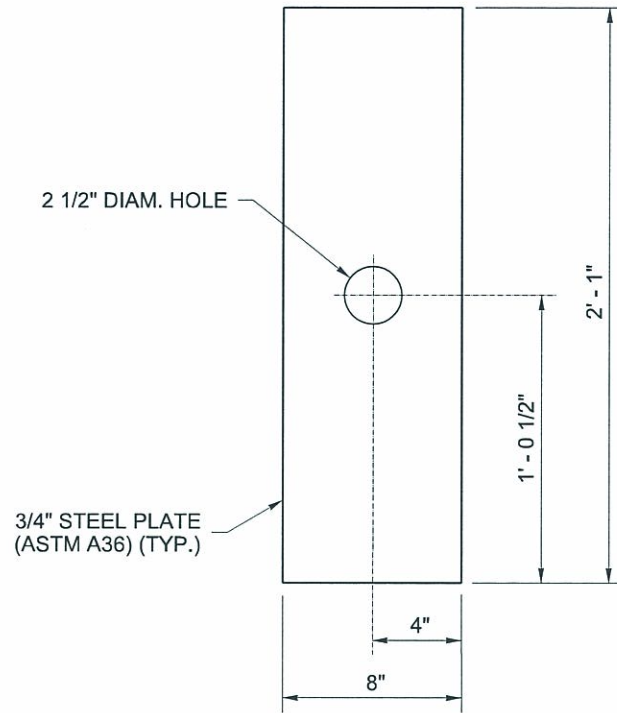
FILE NAME	S:\Design R P& S\4-Standards\2-Plan Sheet Library\05-Signing Details (SD)\SD-4.dgn			REGION NO.	STATE	FED.AID PROJ.NO.			PLOT1
TIME	1:27:23 PM			10	WASH				SD-4
DATE	1/27/2012			JOB NUMBER					SHEET 1 OF 2 SHEETS
PLOTTED BY	CyfordL			CONTRACT NO.		LOCATION NO.			
DESIGNED BY									
ENTERED BY									
CHECKED BY									
PROJ. ENGR.									
REGIONAL ADM.				REVISION	DATE	BY	P.E. STAMP BOX	P.E. STAMP BOX	BARRIER - MOUNTED SIGN POST

7/8" DIAM. HOLE FOR 5/8" DIAM. RESIN BONDED ANCHOR (TYP.)



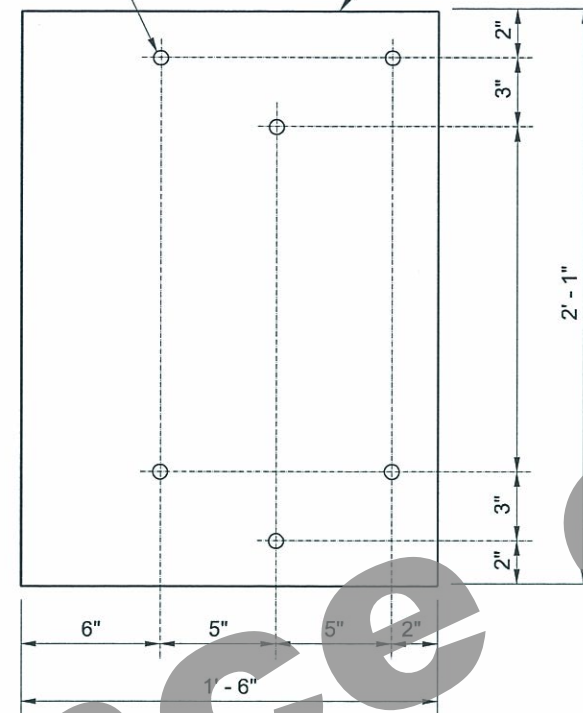
LEFT PANEL

7/8" DIAM. HOLE FOR 5/8" DIAM. RESIN BONDED ANCHOR (TYP.)

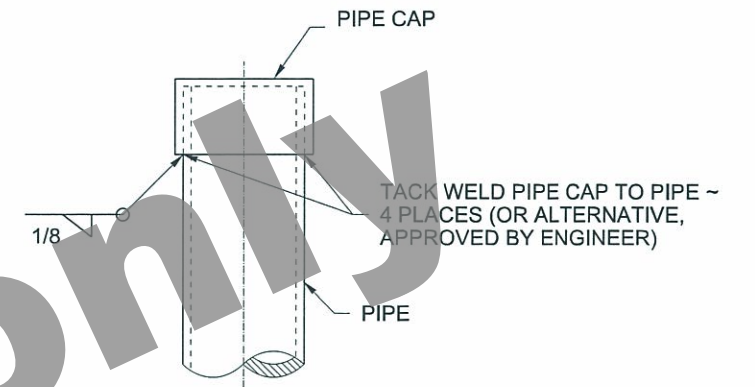


TOP PANEL

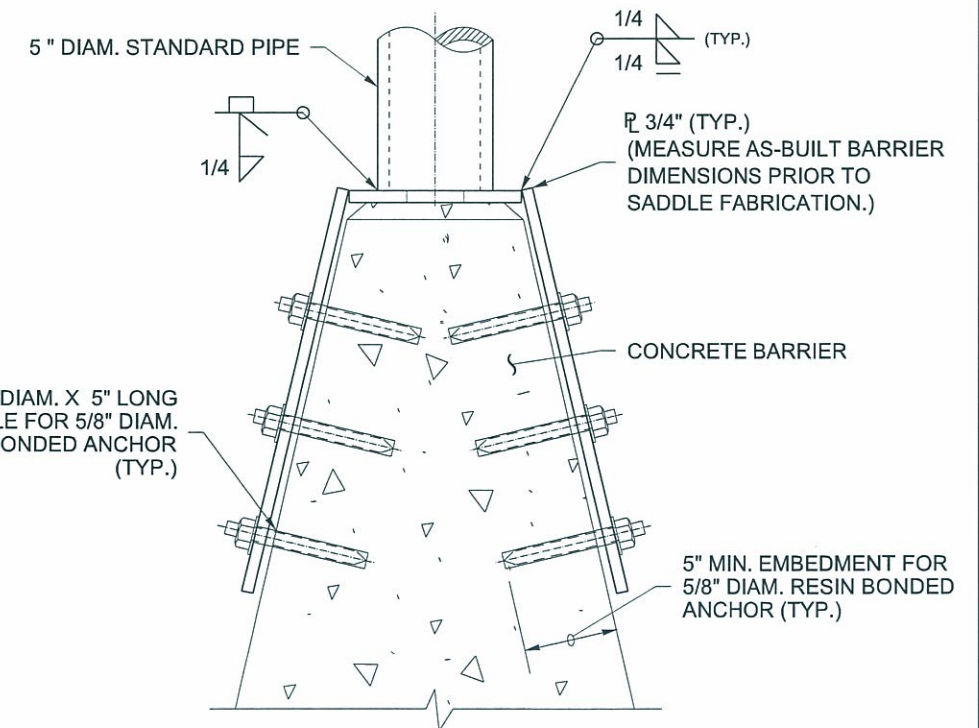
3/4" STEEL PLATE (ASTM A36) (TYP.)



RIGHT PANEL

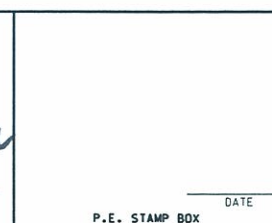
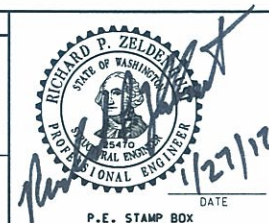


CAP DETAIL



TYPICAL SECTION

FILE NAME S:\Design R P& S\4-Standards\2-Plan Sheet Library\05-Signing Details (SD)\SD-4.dgn				REGION NO.	STATE	FED.AID PROJ.NO.
TIME	1:27:53 PM			10	WASH	
DATE	1/27/2012			JOB NUMBER		
PLOTTED BY	CyfordL			CONTRACT NO.		LOCATION NO.
DESIGNED BY						
ENTERED BY						
CHECKED BY						
PROJ. ENGR.						
REGIONAL ADM.		REVISION	DATE	BY		



**BARRIER - MOUNTED SIGN POST**

PLOT2  
SD-4  
SHEET 2 OF 2 SHEETS