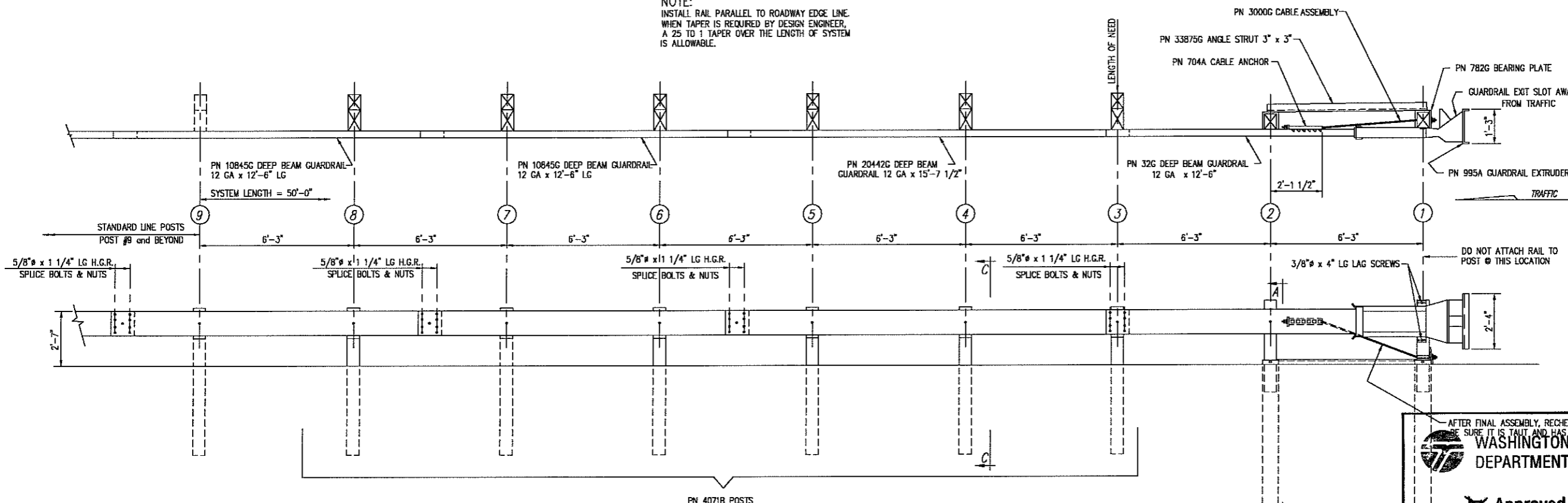


BILL OF MATERIAL

PN	QTY	DESCRIPTION
32G	1	12/12'6"/6'3"/S ANC (GUARDRAIL)
704A	1	CABLE ANCHOR BRACKET
705G	1	2" x 5 1/2" PIPE
749G	2	6'0" TUBE SLEEVE
782G	1	5/8" x 8" x 8" BEARING PLATE
995A	1	ET-PLUS EXTRUDER
3000G	1	CABLE 3/4 x 6'6"
3300G	7	5/8" WASHER
3340G	41	5/8" HEX NUT
3360G	32	5/8" x 1 1/4" SPLICE BOLT
3478G	2	5/8" x 7 1/2" HEX HD BOLT
3500G	1	5/8" x 10" POST BOLT
3620G	6	5/8" x 22" POST BOLT
3700G	4	3/4" WASHER
3704G	2	3/4" HEX NUT
3900G	2	1" WASHER
3910G	2	1" HEX NUT
4071B	6	WD 6'0" POST 6 x 8
4140R	2	WD 4'-0 1/4" POST 5 1/2 x 7 1/2
4228G	2	3/8" x 4" LAG SCREW
5148C	2	3/4" x 9 1/2" HEX HD BOLT
6120B	6	WD BLOCK 1'-2" x 6 x 12 DR
10845G	2	12/12'6"/3'-1.5:6'-3":3'-1 1/2"/S
20442G	1	12/15'-7.5/3'-1.5:206'-3"/S
33875G	1	ANGLE STRUT

NOTE:
INSTALL RAIL PARALLEL TO ROADWAY EDGE LINE.
WHEN TAPER IS REQUIRED BY DESIGN ENGINEER,
A 25 TO 1 TAPER OVER THE LENGTH OF SYSTEM
IS ALLOWABLE.

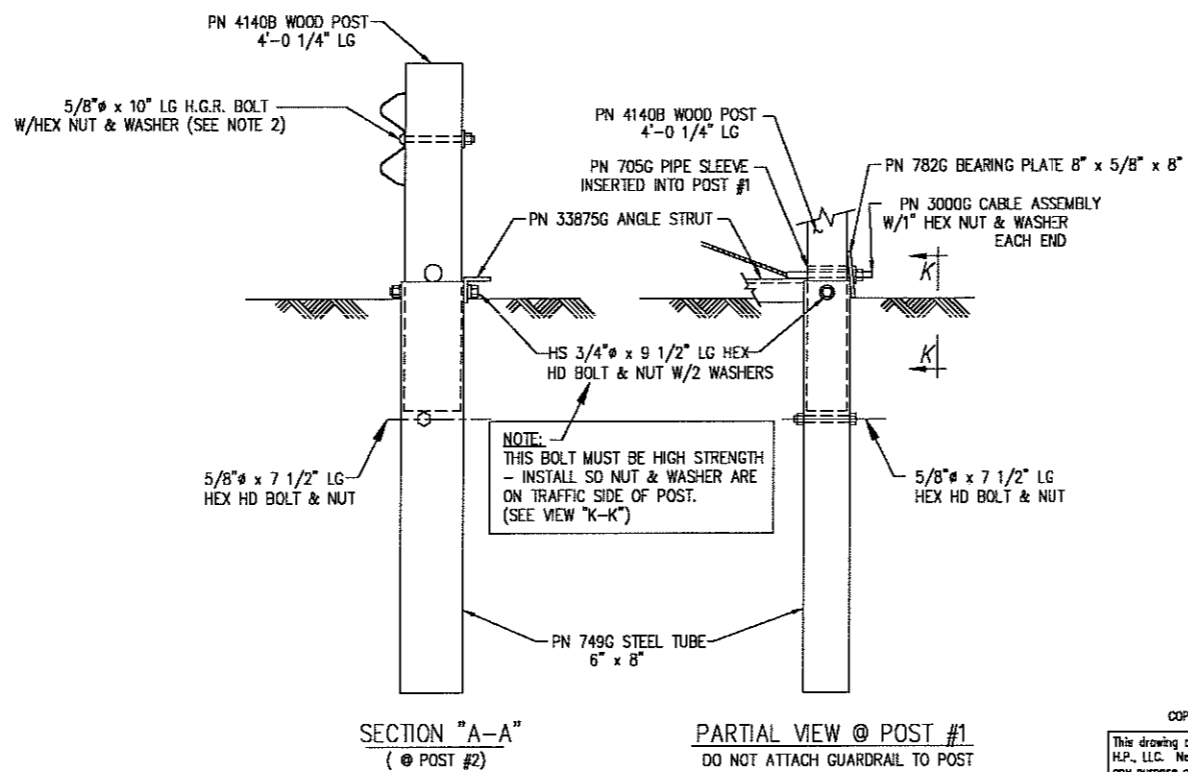
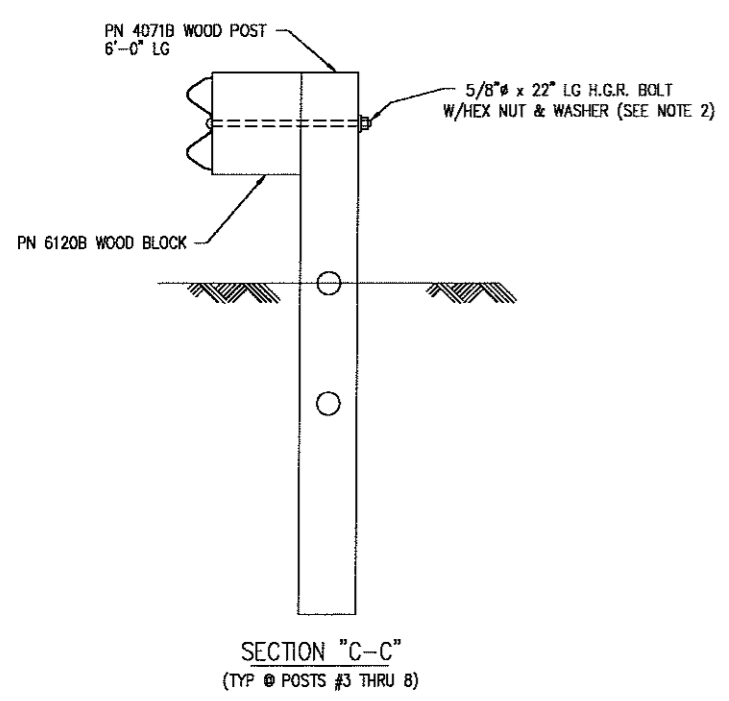
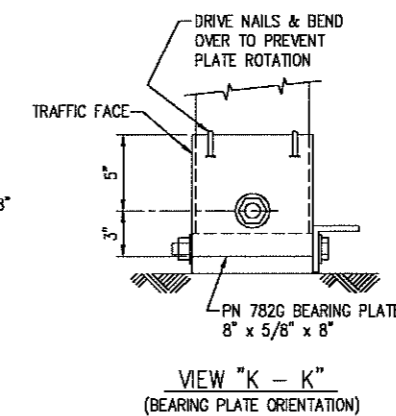


WASHINGTON STATE
DEPARTMENT OF TRANSPORTATION

Approved
 Approved with revision
 Rejected

BY: R. Smitson
DATE: 11/10/2008

- NOTES:
- DO NOT ATTACH GUARDRAIL TO POST # 1.
 - THE 5/8" FLAT WASHER IS USED UNDER THE NUT, BEHIND THE POST ONLY. NO WASHER IS USED AT THE RAIL.
 - MANUFACTURER SUGGESTS CUSTOMER TO PROVIDE REFLECTORIZATION OF TERMINAL.



COPYRIGHT © 2007 TRINITY HIGHWAY PRODUCTS, LLC
This drawing and the information shown thereon is the sole property of TRINITY H.P., LLC. Neither the drawing nor such information is to be used for any purpose other than that for which it was specifically furnished by TRINITY H.P., LLC, nor is any reproduction authorized without written permission.

ET-PLUS

31" HIGH WITH 12" BLOCKS; 50'-0"
4 PANELS, 6 CRT POSTS, & 2 WD PSTS/SL'V
PLAN, ELEVATION & SECTION

TRINITY HIGHWAY PRODUCTS, LLC.
2525 STEMMONS FREEWAY
DALLAS, TX 75207

REV.	CHK'D	BY	DATE	REMARKS

DRAWN	L.H.
CHECKED	B.T.
SCALE	N.T.S.
DATE	05/01/07
ENG. FILE #	SS540-01E
SHT.No.	E1 OF 1
DRAWING NO.	SS-540
REV.	0