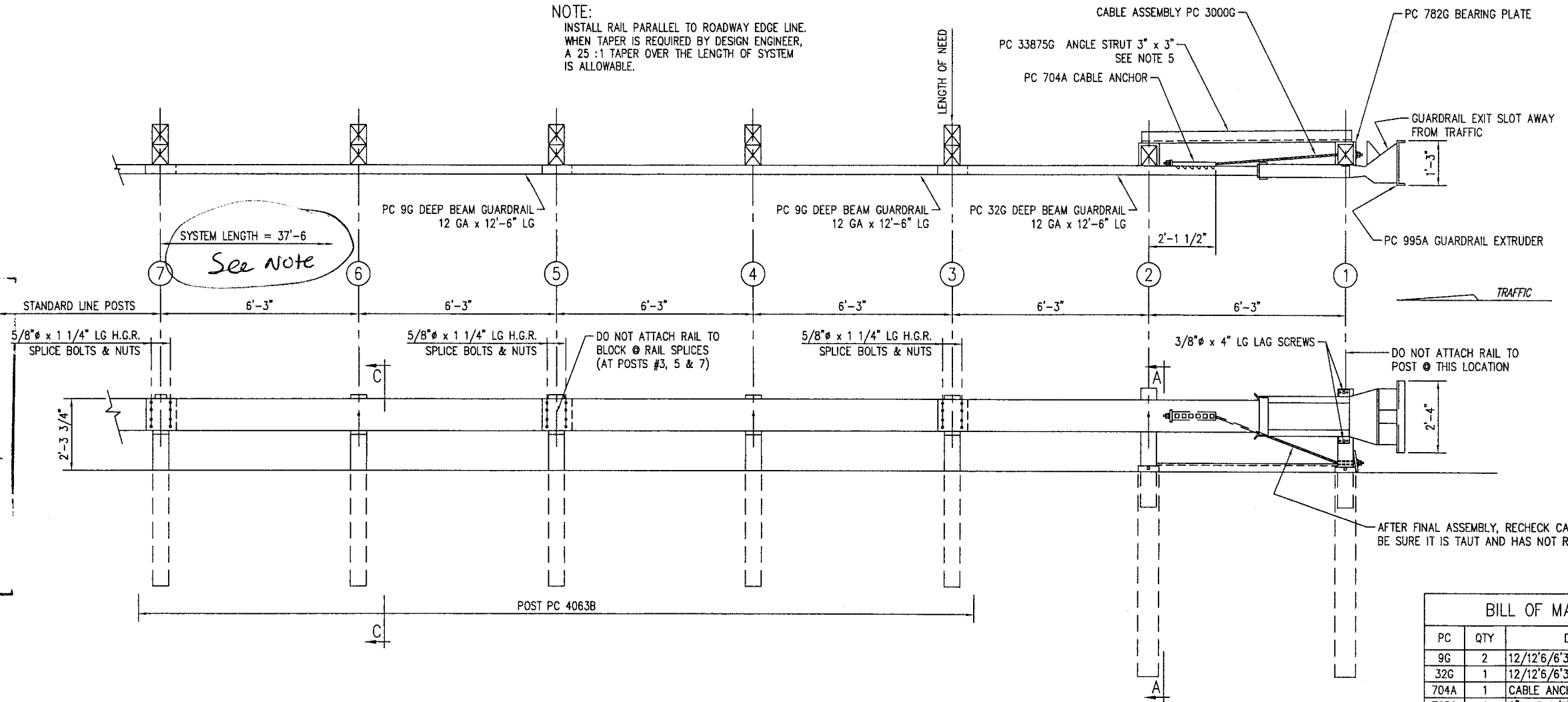


NOTE:
INSTALL RAIL PARALLEL TO ROADWAY EDGE LINE.
WHEN TAPER IS REQUIRED BY DESIGN ENGINEER,
A 25 :1 TAPER OVER THE LENGTH OF SYSTEM
IS ALLOWABLE.



WASHINGTON STATE DEPARTMENT OF TRANSPORTATION

Approved

Approved with revision

Rejected

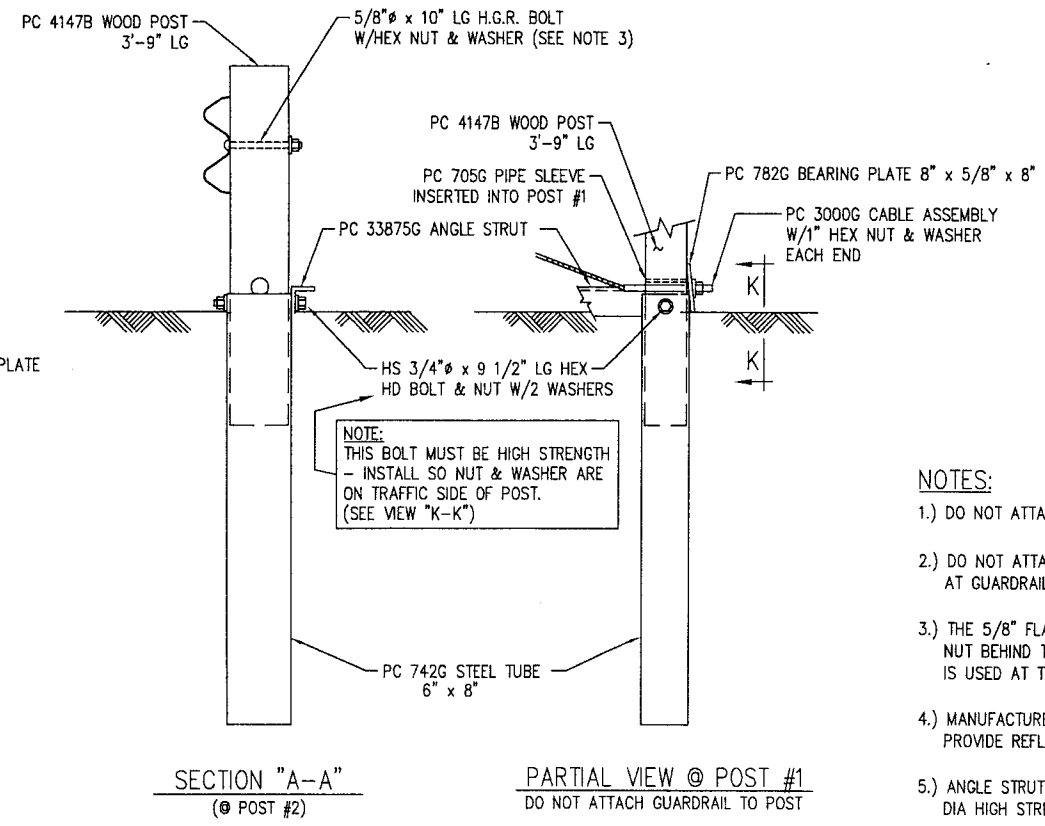
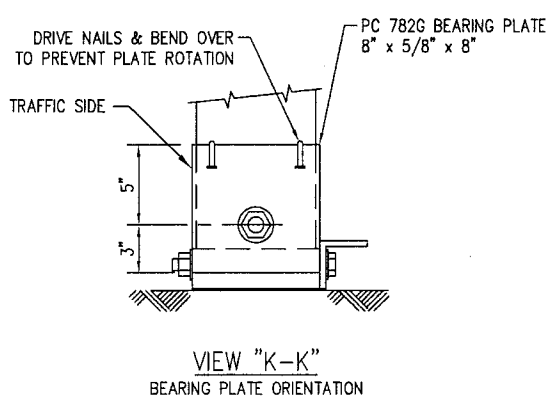
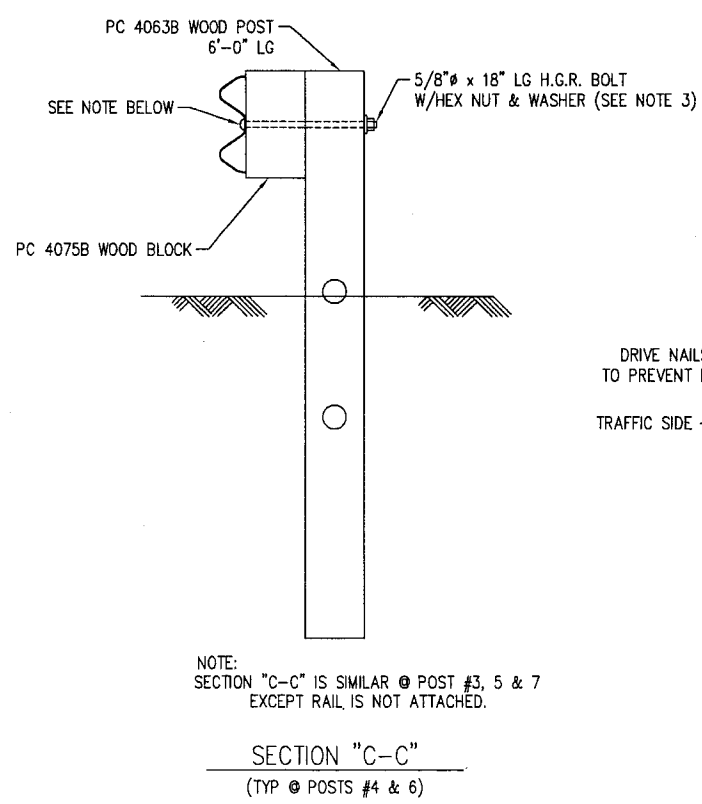
for Pay length See Standard Plan C-4E

by Doug McCann

DATE: 1/10/03

BILL OF MATERIAL		
PC	QTY	DESCRIPTION
9G	2	12/12'6"/6'3"/S (GUARDRAIL)
32G	1	12/12'6"/6'3"/S ANC (GUARDRAIL)
704A	1	CABLE ANCHOR BRACKET
705G	1	2" x 5 1/2" PIPE
742G	2	6'-0" TUBE SLEEVE
782G	1	5/8" x 8" x 8" BEARING PLATE
995A	1	ET-PLUS EXTRUDER
3000G	1	CABLE 3/4 x 6'6"
3300G	6	5/8" WASHER
3340G	30	5/8" HEX NUT
3360G	24	5/8" x 1 1/4" SPLICE BOLT
3500G	1	5/8" x 10" POST BOLT
3580G	5	5/8" x 18" POST BOLT
3700G	4	3/4" WASHER
3704G	2	3/4" HEX NUT
3900G	2	1" WASHER
3910G	2	1" HEX NUT
4063B	5	WD 6'0 POST 6 x 8
4075B	5	WD BLOCK 1'2 x 6 x 8 DR
4147B	2	WD 3'9 POST 5 1/2 x 7 1/2
4228G	2	3/8" x 4" LAG SCREW
5148G	2	3/4" x 9 1/2" HEX HD BOLT
33875G	1	ANGLE STRUT

GIRARD ENGINEERING DEPT.
ISSUED
JAN - 9 2003
TRINITY INDUSTRIES, INC.
1170 N. STATE STREET
GIRARD, OHIO 44420



- NOTES:
- DO NOT ATTACH GUARDRAIL TO POST # 1.
 - DO NOT ATTACH GUARDRAIL TO POST BLOCK AT GUARDRAIL LAP SPLICES.
 - THE 5/8" FLAT WASHER IS USED UNDER THE NUT BEHIND THE POST ONLY. NO WASHER IS USED AT THE RAIL.
 - MANUFACTURER SUGGESTS CUSTOMER TO PROVIDE REFLECTORIZATION OF TERMINAL.
 - ANGLE STRUT MUST BE ATTACHED USING 3/4" DIA HIGH STRENGTH BOLTS.

This drawing and the information shown thereon is the sole property of TRINITY INDUSTRIES, INC. Neither the drawing nor such information is to be used for any purpose other than that for which it was specifically furnished by TRINITY INDUSTRIES, INC. nor is any reproduction authorized without written permission.

1	L.H.	1/08/03	REVISED TITLE BLOCK	
REV.	CHK'D	BY	DATE	REMARKS

ET-PLUS

ET-PLUS
PLAN, ELEVATION & SECTION
37'-6" LG WITH 12'-6" PANELS, HBA STRUT
POST SLEEVES 1-2 WITHOUT SOIL PL

TRINITY INDUSTRIES, INC.
HIGHWAY SAFETY PRODUCTS
2525 STEMMONS FREEWAY, DALLAS, TX 75207

DRAWN E.A.S.
CHECKED BT
SCALE N.T.S.
DATE 10-15-01
ENG. FILE # SS339-01E
SHT.No. E1 OF 1
DRAWING NO. SS-339