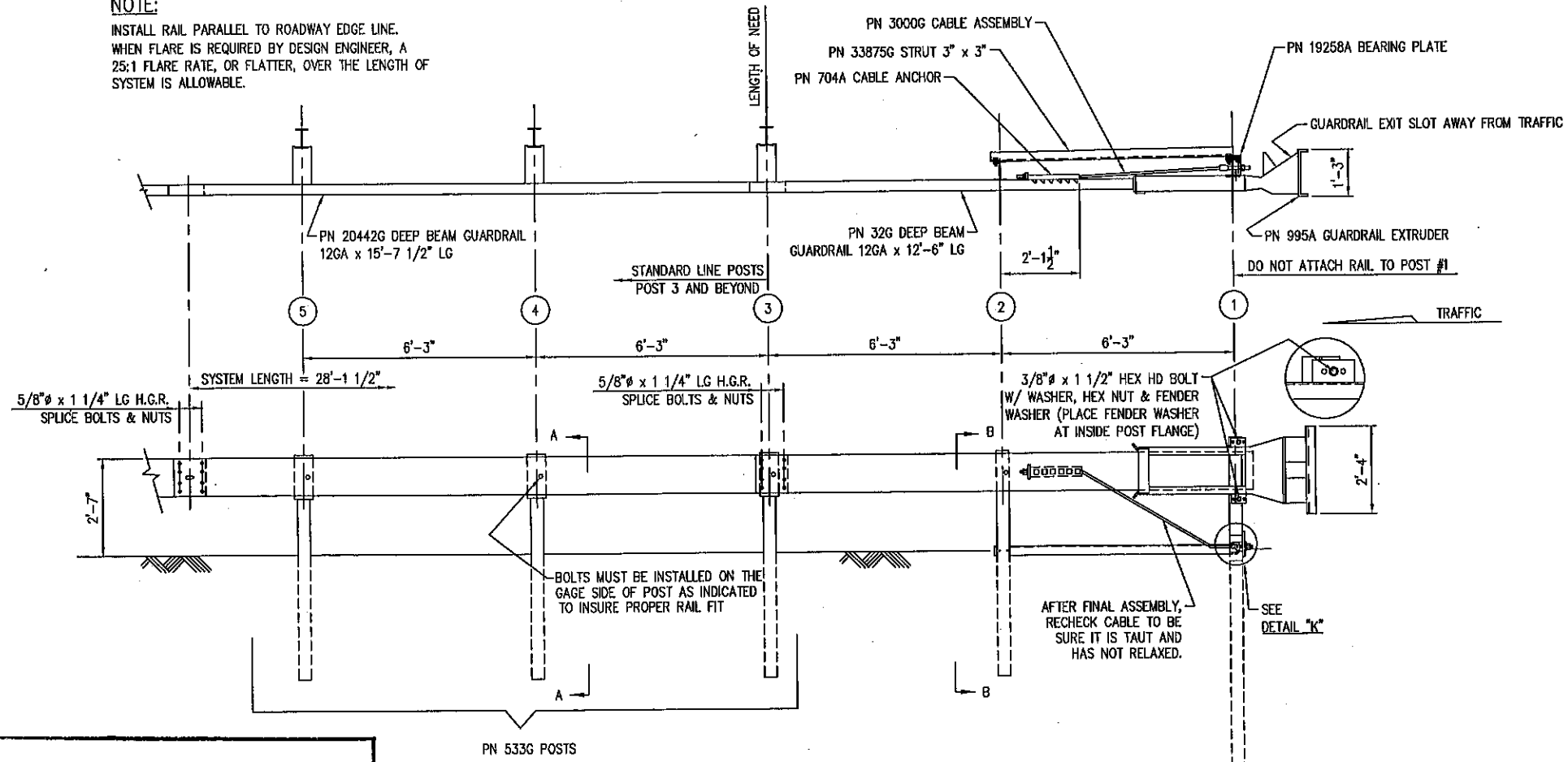


NOTE:
 INSTALL RAIL PARALLEL TO ROADWAY EDGE LINE.
 WHEN FLARE IS REQUIRED BY DESIGN ENGINEER, A
 25:1 FLARE RATE, OR FLATTER, OVER THE LENGTH OF
 SYSTEM IS ALLOWABLE.



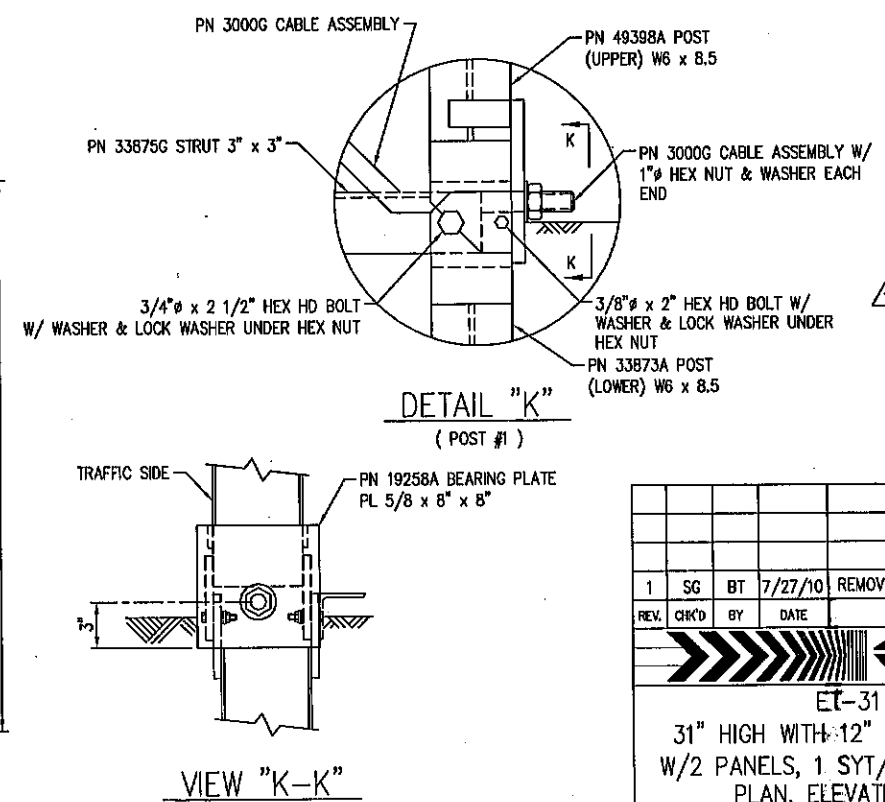
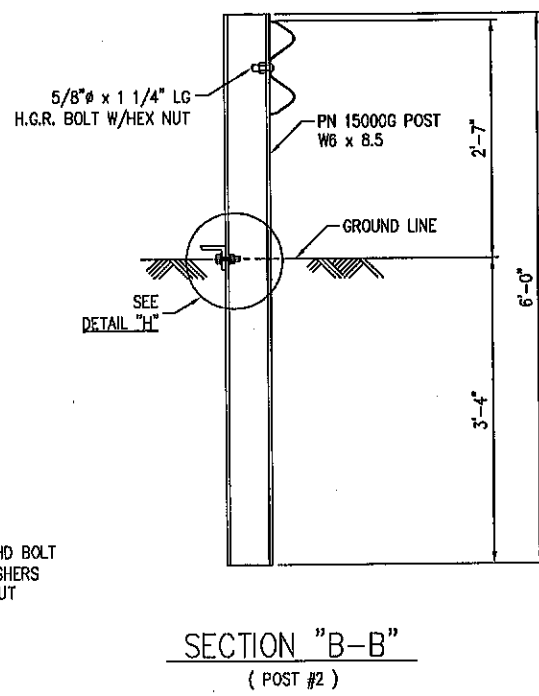
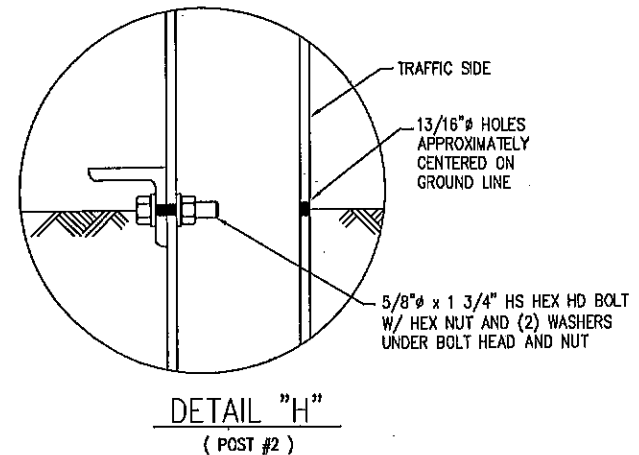
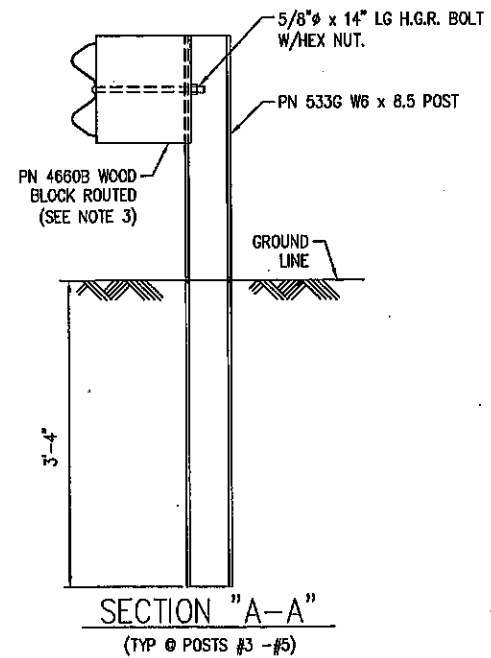
NOTES:
 1.) DO NOT ATTACH GUARDRAIL TO POST # 1.
 2.) MANUFACTURER SUGGESTS CUSTOMER TO PROVIDE
 REFLECTORIZATION OF TERMINAL.
 3.) 12" DEEP PLASTIC OFFSET BLOCKS (ROUTED) ARE ACCEPTABLE
 ALTERNATES.

BILL OF MATERIAL		
PN	QTY	DESCRIPTION
32G	1	12/12'-6/6'3/S ANC (GUARDRAIL)
533G	3	LINE POST #3-#5
704A	1	CABLE ANCHOR BRACKET
995A	1	ET-PLUS EXTRUDER
3000G	1	CABLE 3/4 x 6'6"
3300G	2	5/8" FLAT WASHER
3340G	21	5/8" HEX NUT
3360G	17	5/8"φ x 1 1/4" SPLICE BOLT
3391G	1	5/8"φ x 1 3/4" HEX HD BOLT (A325)
3540G	3	5/8"φ x 14" POST BOLT
3701G	2	3/4" FLAT WASHER
3704G	2	3/4" HEX NUT
3717G	2	3/4"φ x 2 1/2" HEX HD BOLT (A-325)
3900G	2	1" FLAT WASHER
3910G	2	1" HEX NUT
4254G	4	3/8" FLAT WASHER
4255G	2	3/8" FENDER WASHER (1/2 OD)
4258G	2	3/8" LOCKWASHER
4261G	2	3/8"φ x 1 1/2" HEX HD BOLT (GR-5)
4660B	3	WD BLOCK 1'2 x 6 x 12" DR
4699G	2	3/4" LOCK WASHER
6321G	2	3/8"φ x 2" HEX HD BOLT (GR-5)
6405G	4	3/8" HEX NUT
15000G	1	POST SYT #2
19258A	1	5/8" x 8" x 8" BEARING PLATE
20442G	1	12/15'-7.5/3'-1.5:206'-3"/S (GUARDRAIL)
33875G	1	ANGLE STRUT (ET/SYTP/HBA)
33873A	1	POST ET PLUS HBA #1 BOTTOM
49398A	1	POST ET PLUS HBA #1 TOP

WASHINGTON STATE
 DEPARTMENT OF TRANSPORTATION

Approved
 Approved with revision
 Rejected

BY: *R. Lutz*
 DATE: 1/5/2011



The drawings and the information shown thereon are copyrighted by Trinity Highway Products (2010) and the sole property of Trinity Highway Products. Neither the drawings nor such information is to be used for any purpose other than that for which it was specifically furnished from Trinity Highway Products, LLC, nor is any reproduction authorized without written permission.

REV.	CHK'D	BY	DATE	REMARKS
1	SG	BT	7/27/10	REMOVED PN 782, ADDED PN 19258

ET-31

ET-31 TL-2
 31" HIGH WITH 12" BLOCKS, 28'-1 1/2"
 W/2 PANELS, 1 SYT/1 HBA/3 LINE POSTS
 PLAN, ELEVATION & SECTION

TRINITY HIGHWAY PRODUCTS, LLC.
 2525 STEMMONS FREEWAY
 DALLAS, TX 75207

DRAWN	BT
CHECKED	SG
SCALE	N.T.S.
DATE	03-04-10
ENG. FILE #	SS565-OE1
SHT. NO.	E1 OF 1
DRAWING NO.	SS-565
REV.	1