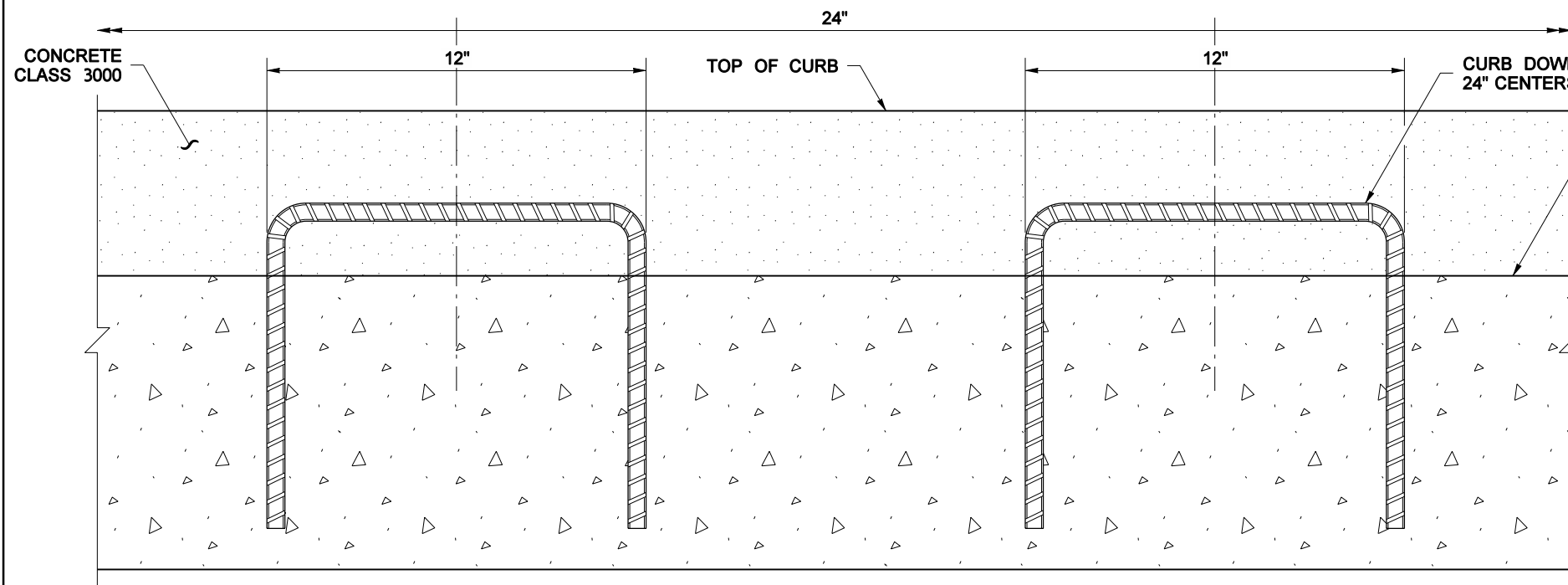
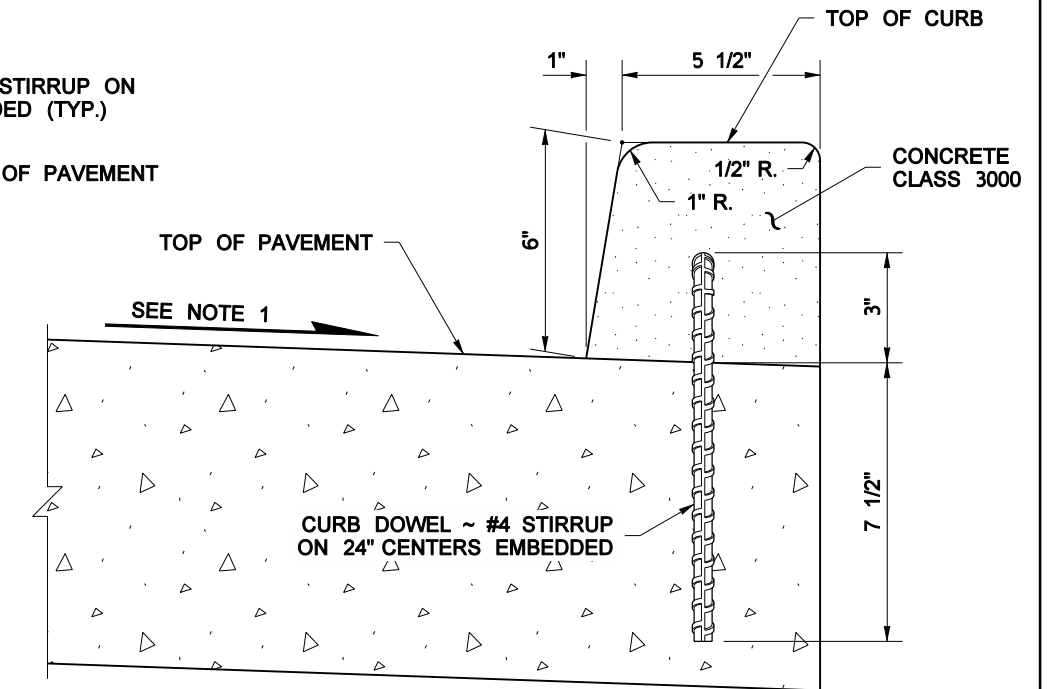


NOTE

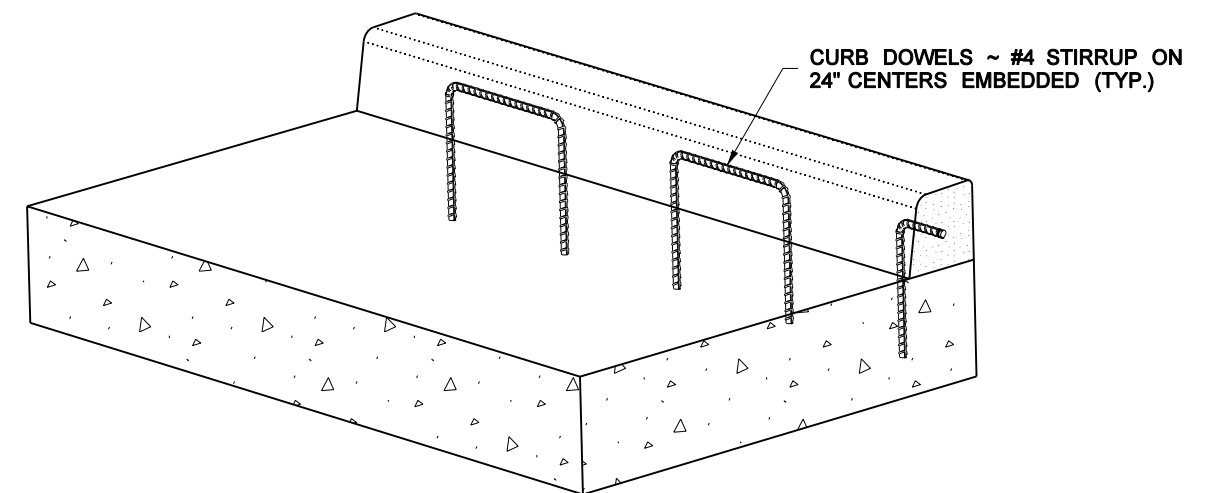
1. Gutter shall be sloped the same as adjacent pavement.



PLAN VIEW



SIDE VIEW



ISOMETRIC VIEW

| | | | | | | | | | |
|---------------|---|------|----|--|--------------|--------------|--------------------|--|-------|
| FILE NAME | S:\Design R P& S\4-Standards\2-Plan Sheet Library\09-Geometric Design (GD)\GD-24 (Curb and Gutter)\gd24_e.dgn | | | | REGION NO. | STATE | FED. AID PROJ. NO. | Washington State Department of Transportation | GD-24 |
| TIME | 7:27:16 AM | | | | 10 | WASH | | | |
| DATE | 9/22/2011 | | | | JOB NUMBER | | | SHEET 1 OF 1 SHEETS | |
| PLOTTED BY | cyfordl | | | | CONTRACT NO. | LOCATION NO. | CURB AND GUTTER | | |
| DESIGNED BY | | | | | | | | | |
| ENTERED BY | | | | | | | | | |
| CHECKED BY | | | | | | | | | |
| PROJ. ENGR. | | | | | | | | | |
| REGIONAL ADM. | REVISION | DATE | BY | | | | | | |