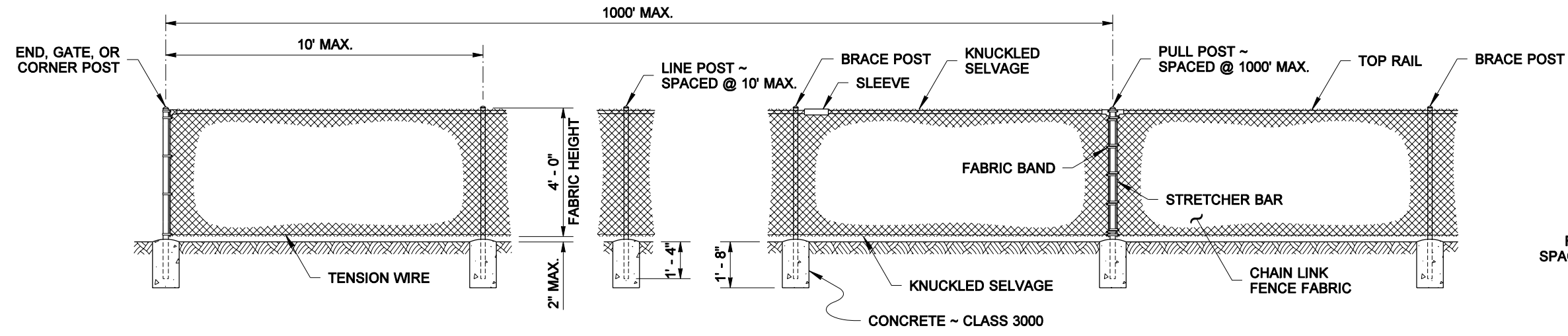
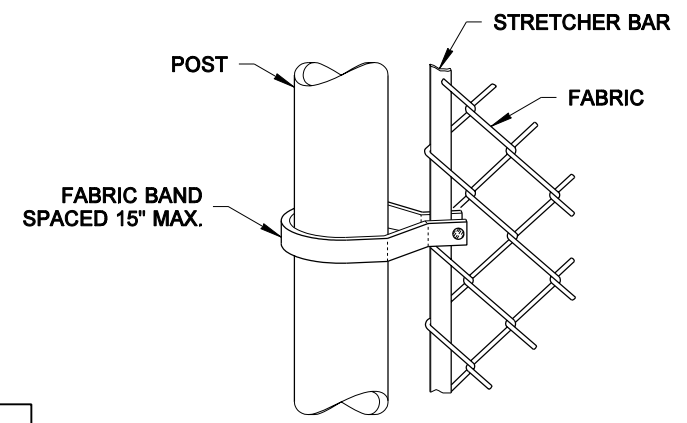


TYPE 1



TYPE 6

- NOTES**
1. All concrete post bases shall be 10" minimum diameter.
 2. Tension wire shall be placed within the limits of the first full fabric weave.
 3. Details are illustrative and shall not limit hardware design or post selection Of any particular fence type.

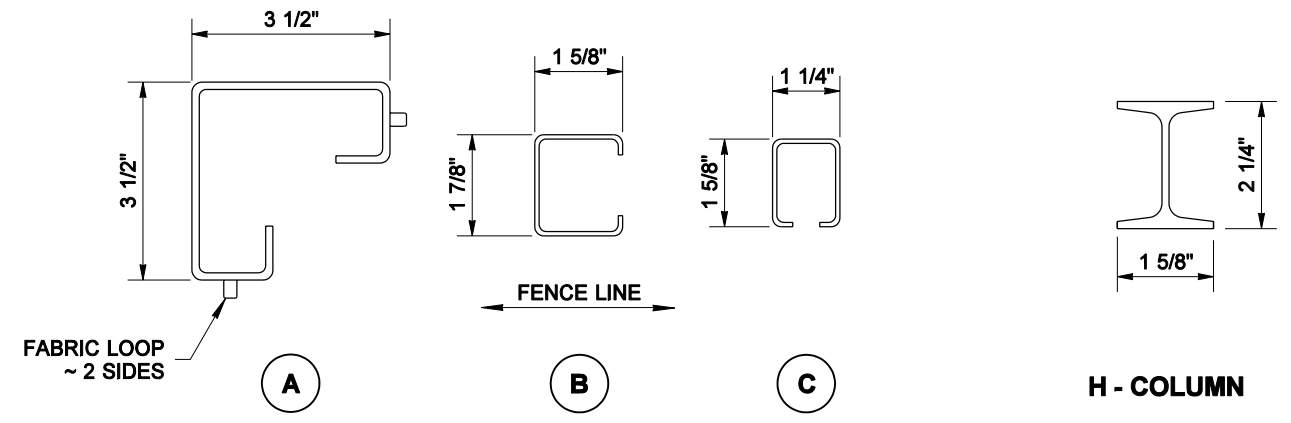


METHOD OF FASTENING STRETCHER BAR TO POST (SHOWN FOR ROUND POST)

CHAIN LINK FENCE WITH TOP RAIL

POST AND RAIL SPECIFICATIONS

MEMBER	PIPE	ROLL FORMED		H - COLUMN
	NOM. SIZE (SCH. 40)	SECTION	WEIGHT (lb/ft)	WEIGHT (lb/ft)
END, CORNER, OR PULL POST	2 1/2" DIAM.	(A)	5.10	
LINE OR BRACE POST	2" DIAM.	(B)	2.40	3.26
BRACE OR TOP RAIL	1 1/4" DIAM.	(C)	1.35	
GATE POST	3 1/2" DIAM.			



FILE NAME	S:\Design R P& S\4-Standards\2-Plan Sheet Library\07-Fence & Screen (FS)\FS-2\FS-4.dgn	REGION NO.	10	STATE	WASH	FED. AID PROJ. NO.		<p>Washington State Department of Transportation</p>	PLOT1
TIME	2:14:17 PM	JOB NUMBER		CONTRACT NO.		LOCATION NO.			FS-2
DATE	3/28/2007							SHEET	
PLOTTED BY	berensb							OF	
DESIGNED BY								SHEETS	
ENTERED BY	LISA CYFORD								
CHECKED BY									
PROJ. ENGR.									
REGIONAL ADM.		REVISION		DATE		BY		CHAIN LINK FENCE DETAILS	