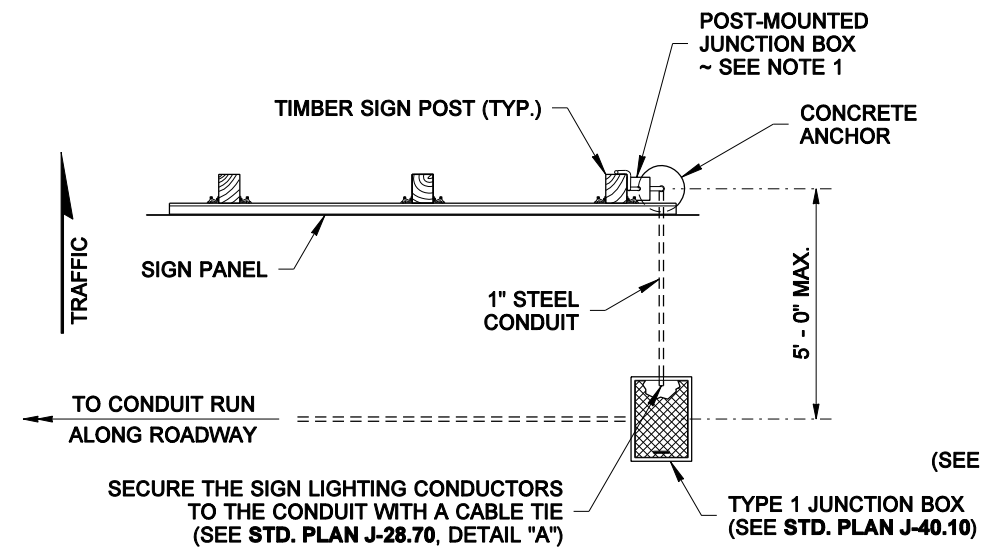
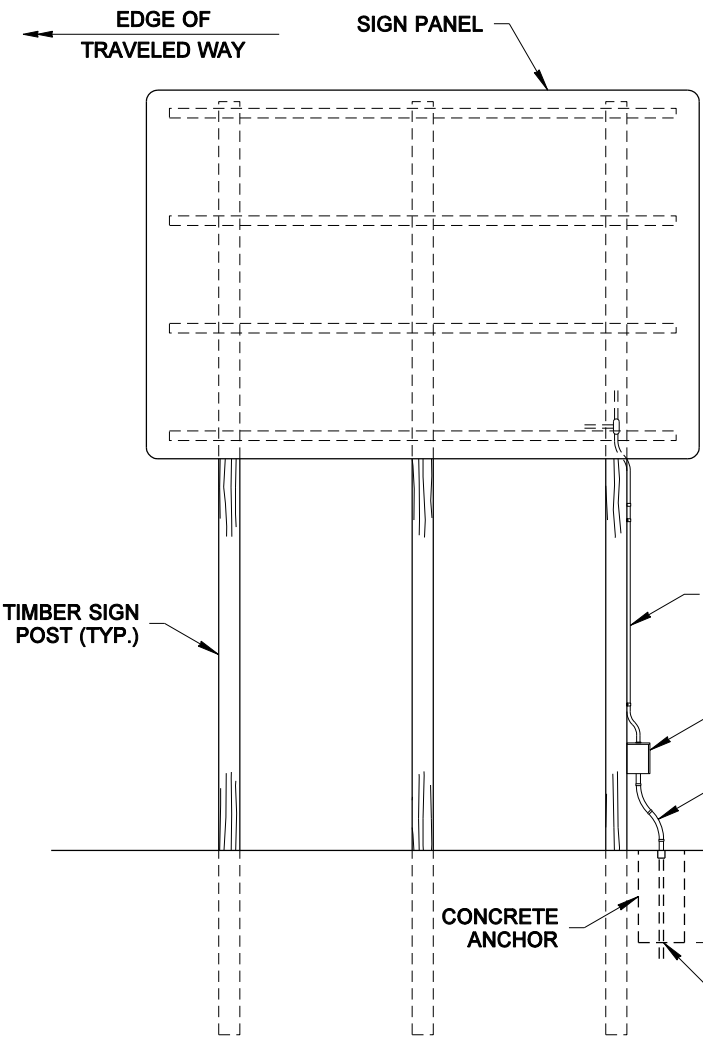


DRAWN BY: MARK SUJKA

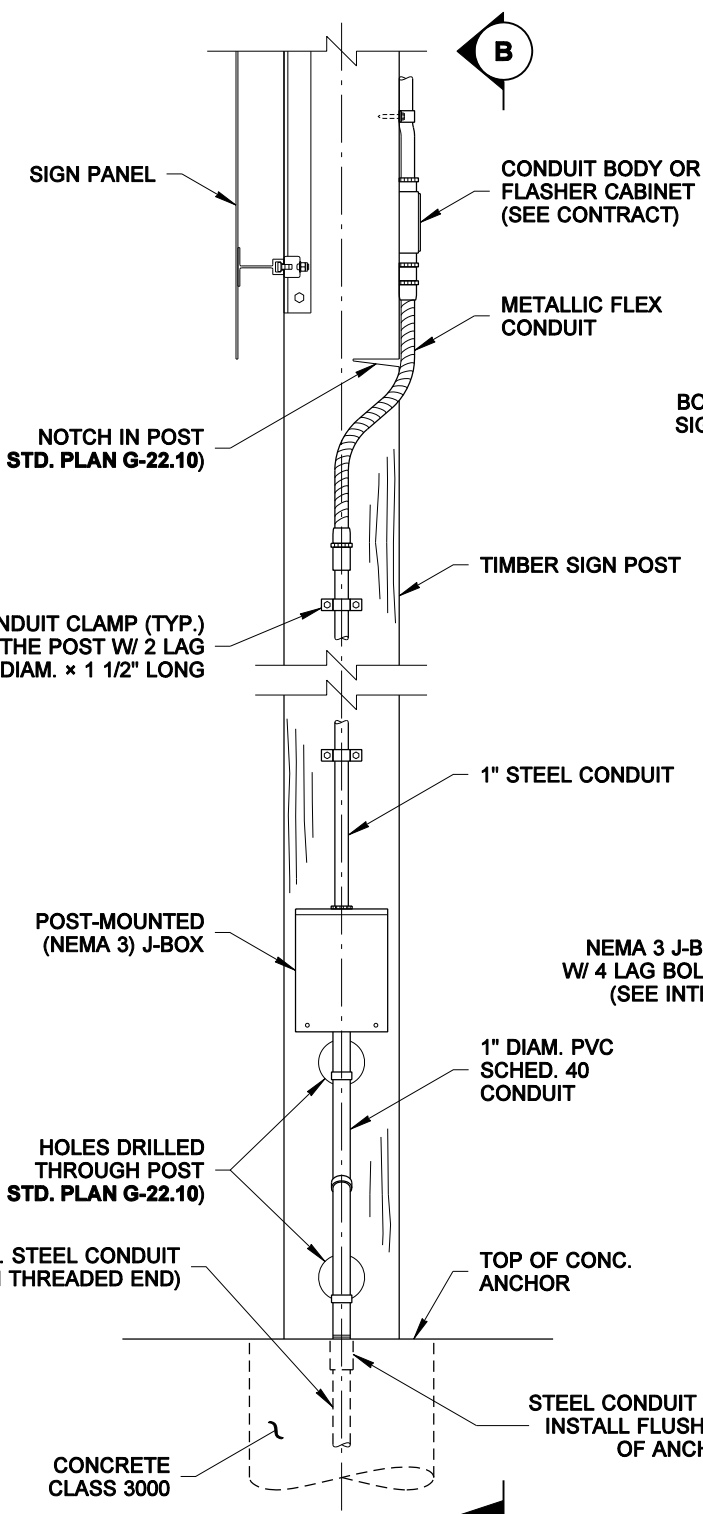


PLAN

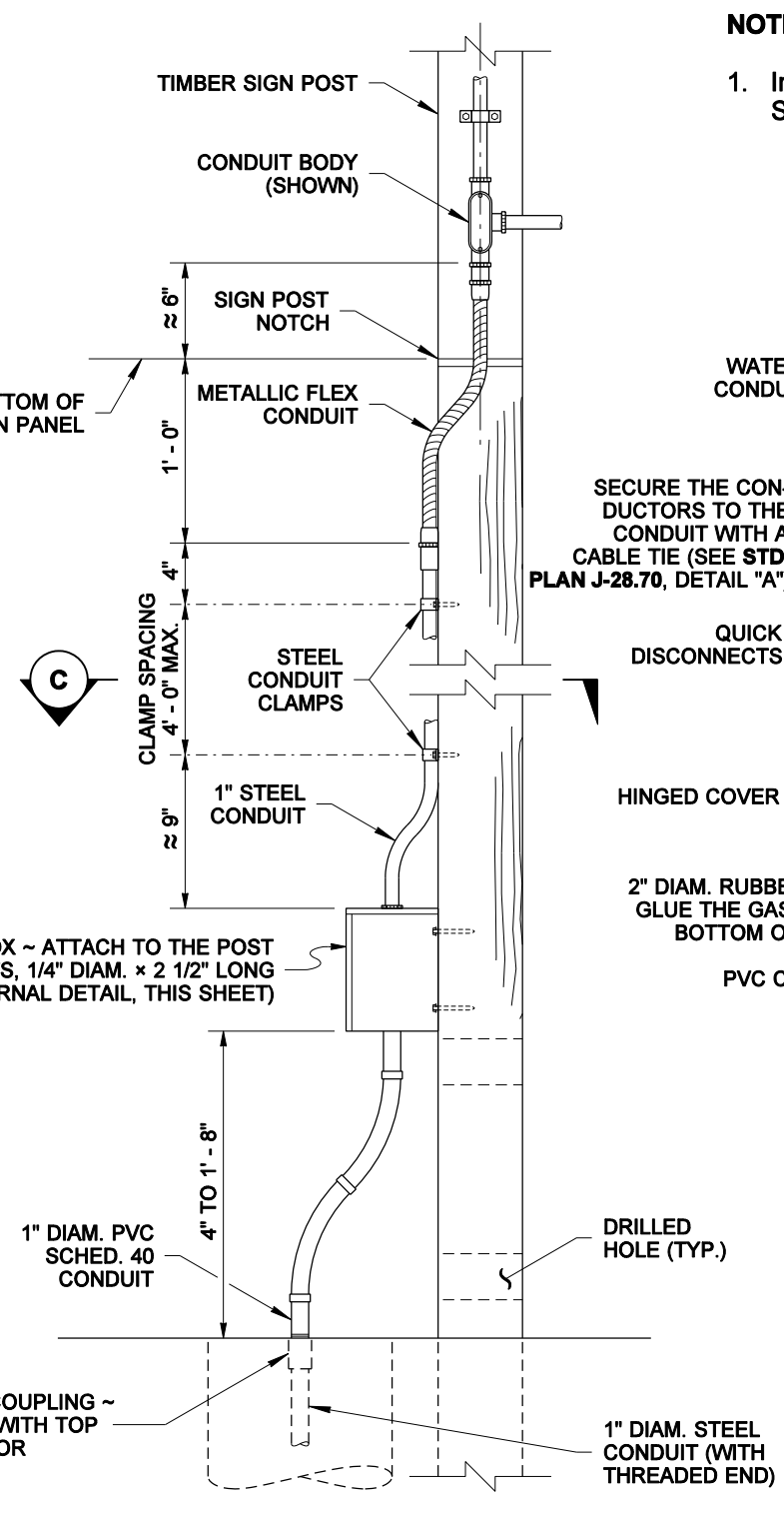


ELEVATION

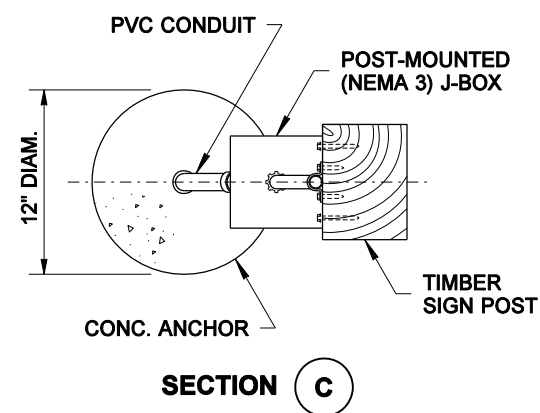
JUNCTION BOX ATTACHMENT TO TIMBER SIGN SUPPORT



DETAIL VIEW A



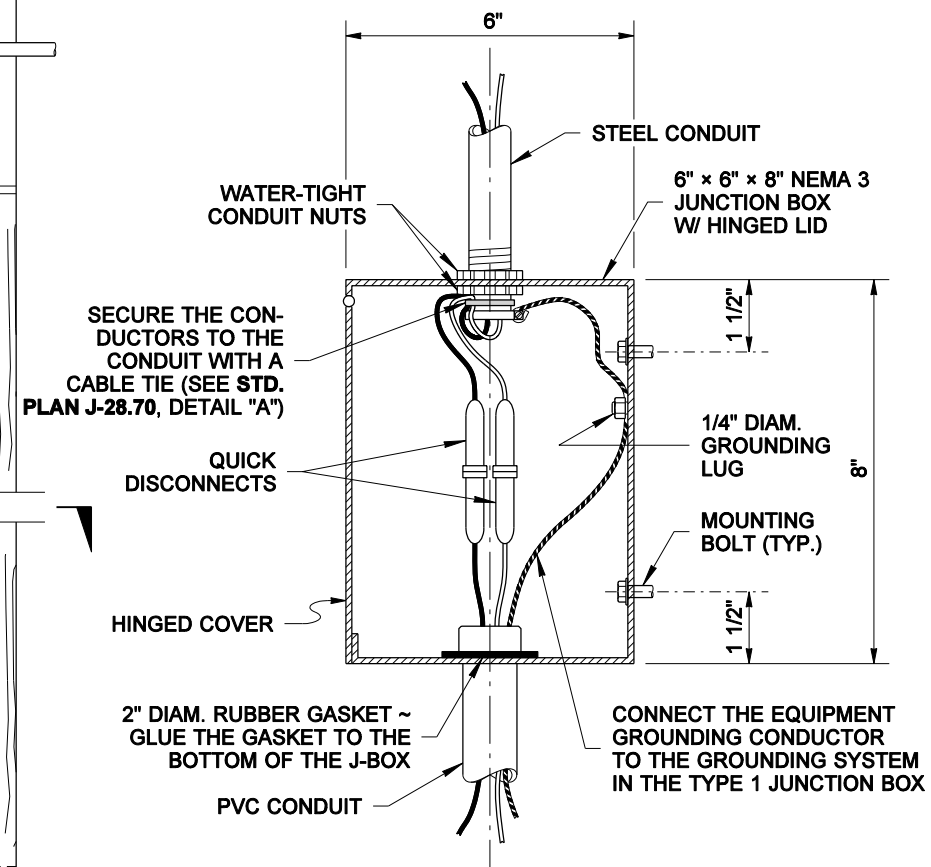
DETAIL VIEW B



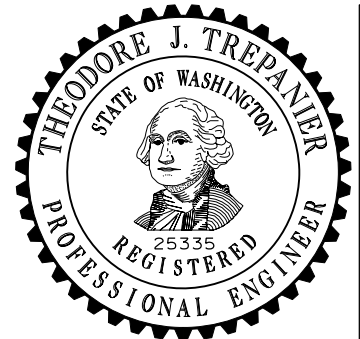
SECTION C

NOTE

1. Install the Junction Box on the Timber Sign Post, or the Steel Sign Support, that is farthest from the roadway.



JUNCTION BOX INTERNAL DETAIL



NOTE: THIS PLAN IS NOT A LEGAL ENGINEERING DOCUMENT UNLESS IT IS APPROVED FOR PUBLICATION BY THE ENGINEER AND APPROVED FOR ORIGINATOR'S SIGNATURE FILE AT THE WASHINGTON STATE DEPARTMENT OF TRANSPORTATION. A COPY MAY BE OBTAINED UPON REQUEST.

SIGN POST-MOUNTED JUNCTION BOX
STANDARD PLAN J-12

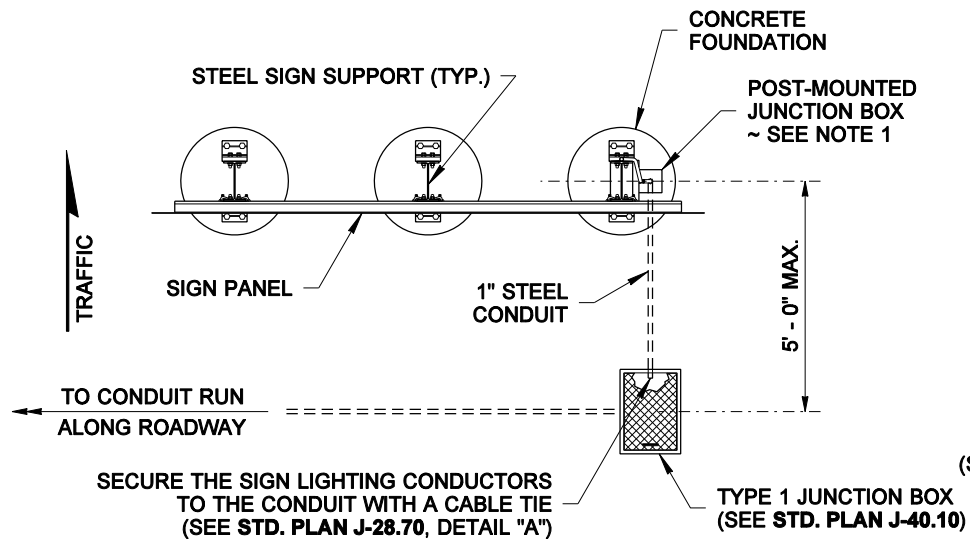
SHEET 1 OF 2 SHEETS

APPROVED FOR PUBLICATION

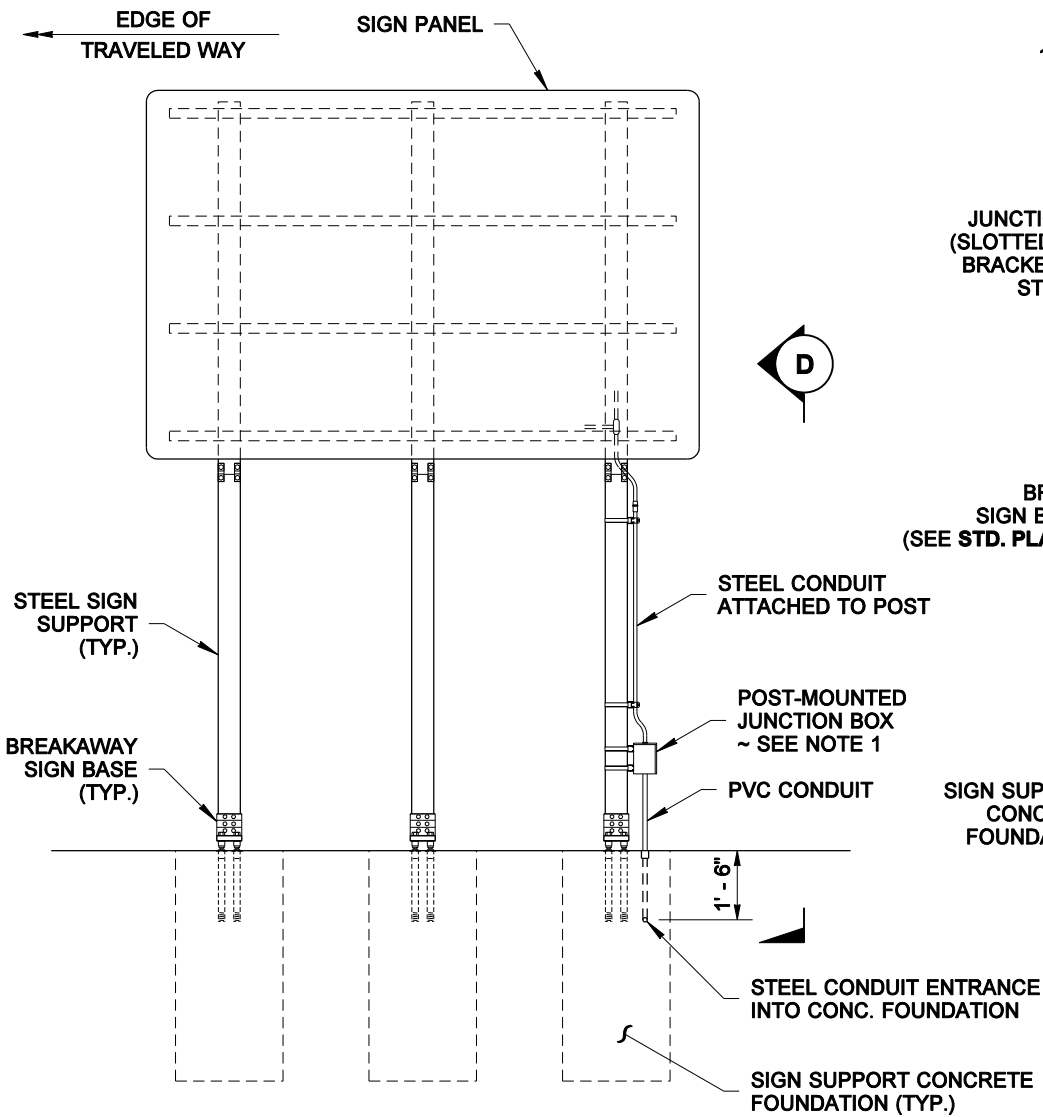
Pasco Bakotich III 02-10-09
 STATE DESIGN ENGINEER DATE



DRAWN BY: MARK SUJKA

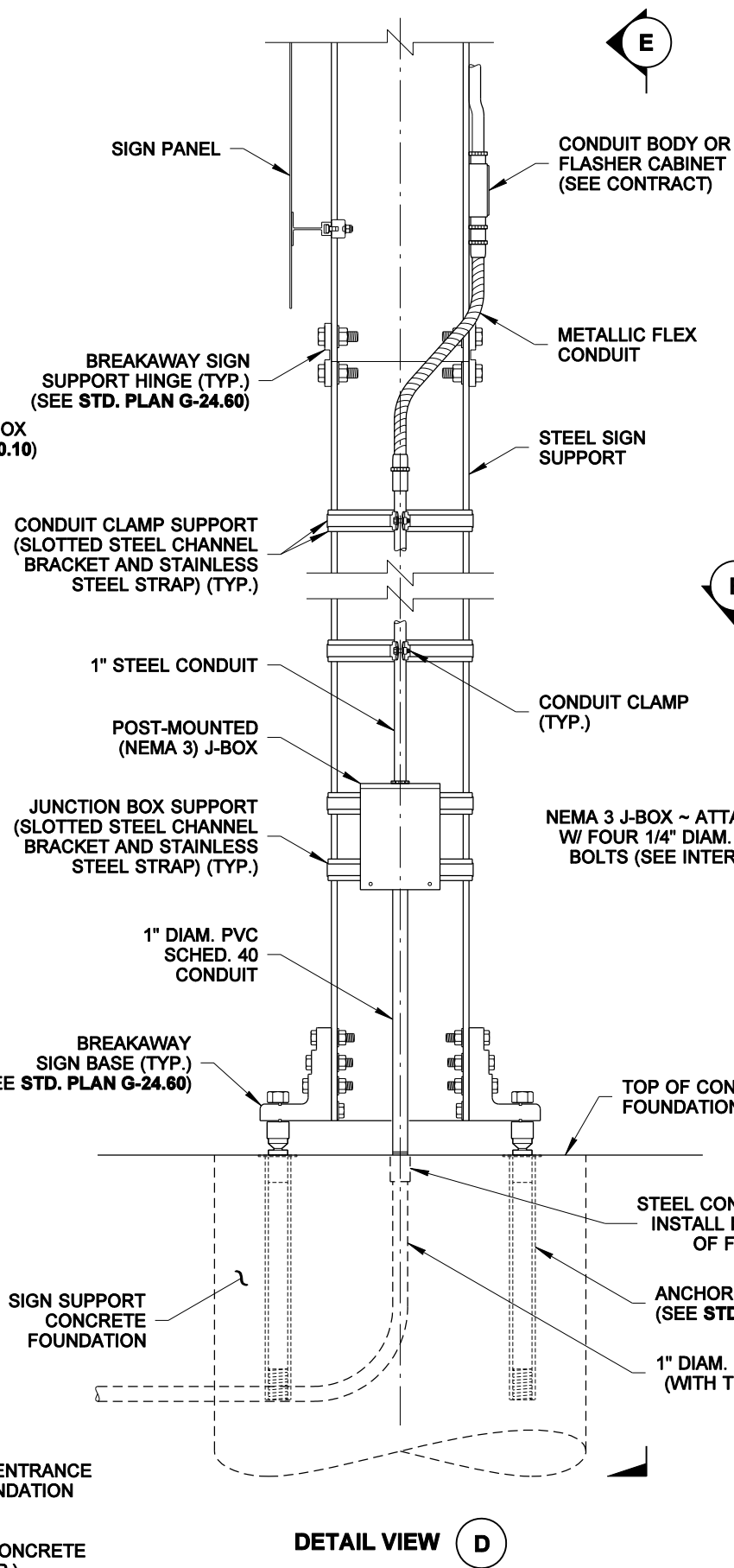


PLAN

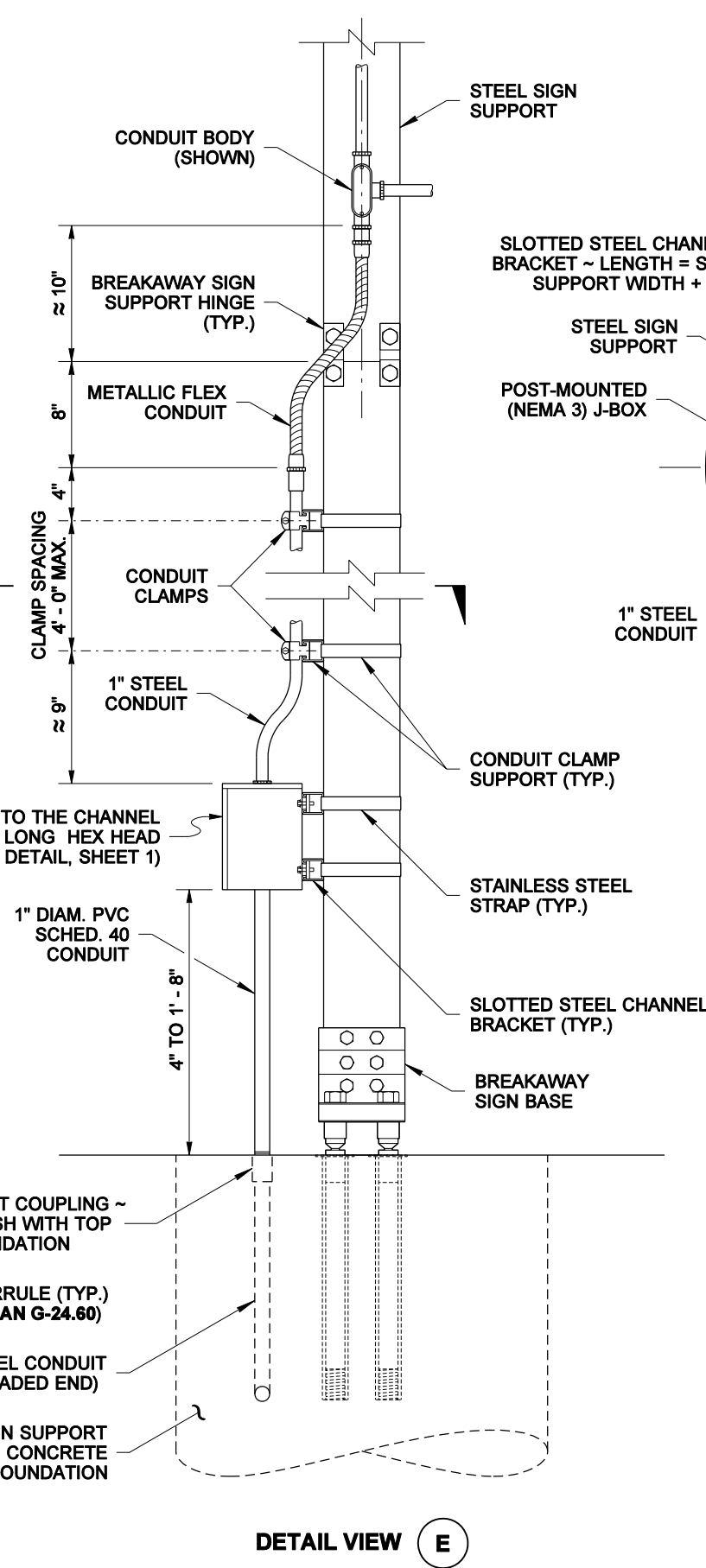


ELEVATION

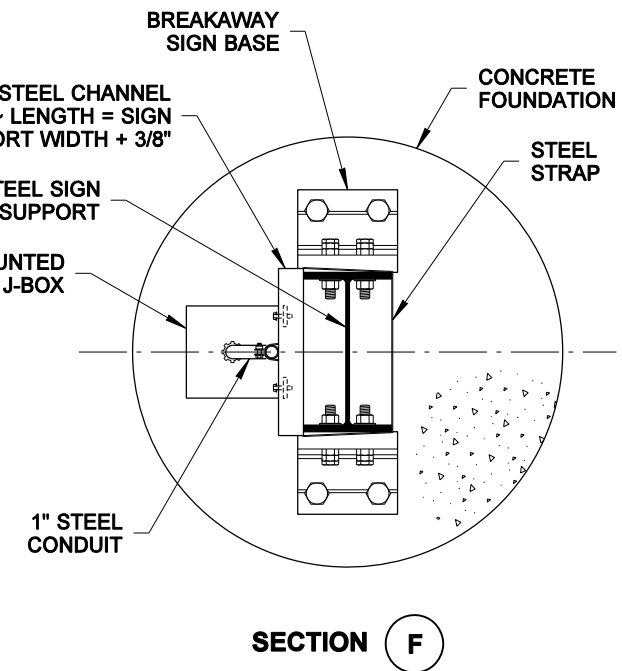
JUNCTION BOX ATTACHMENT TO STEEL SIGN SUPPORT



DETAIL VIEW D



DETAIL VIEW E



NOTE: THIS PLAN IS NOT A LEGAL ENGINEERING DOCUMENT. THE ENGINEER HAS REVIEWED THIS PLAN AND APPROVED IT FOR PUBLICATION. THE ENGINEER HAS REVIEWED THIS PLAN AND APPROVED IT FOR PUBLICATION. THE ENGINEER HAS REVIEWED THIS PLAN AND APPROVED IT FOR PUBLICATION. A COPY MAY BE OBTAINED UPON REQUEST.

SIGN POST-MOUNTED JUNCTION BOX

STANDARD PLAN J-12

SHEET 2 OF 2 SHEETS

APPROVED FOR PUBLICATION

Pasco Bakotich III 02-10-09

STATE DESIGN ENGINEER DATE

