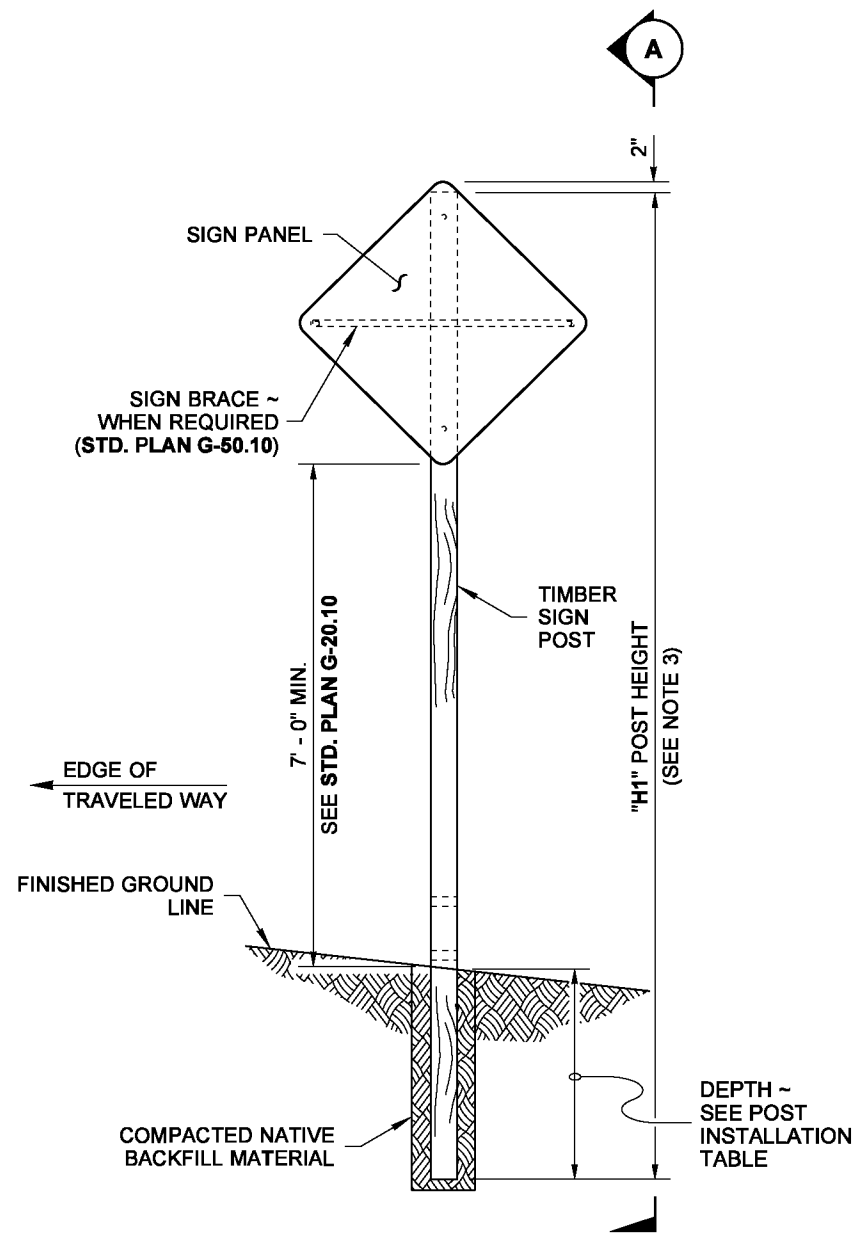
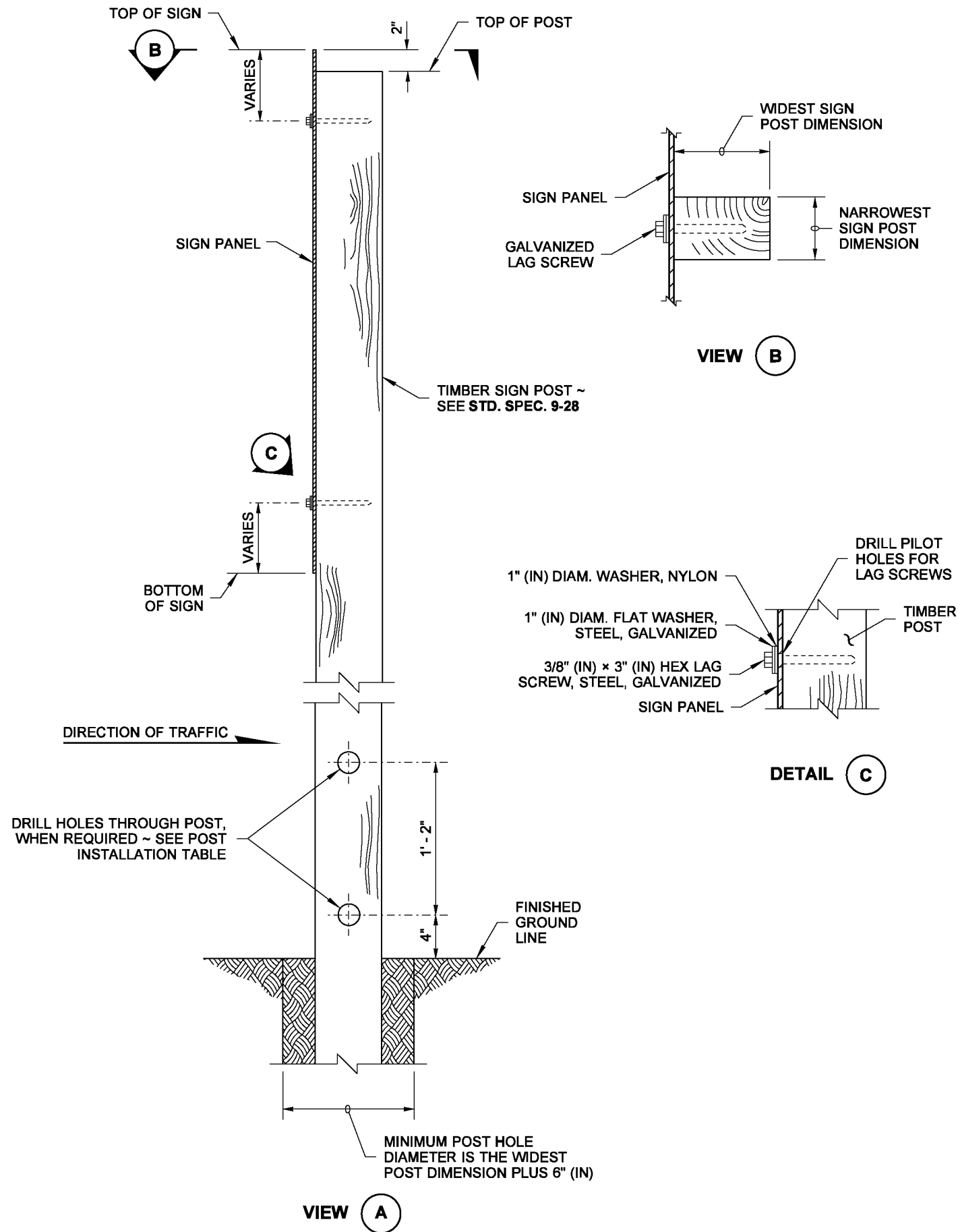


DRAWN BY: BILL BERENS



**ELEVATION VIEW
SINGLE-POST INSTALLATION**



VIEW A

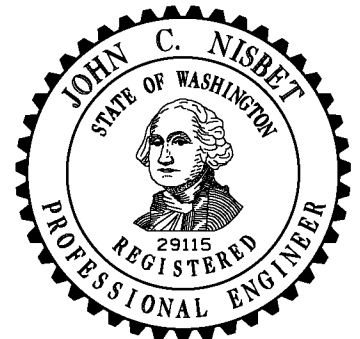
VIEW B

DETAIL C

NOTES

1. Notch is only required with multiple post installations.
2. 6x10, 8x10, and 6x12 Timber Sign Posts cannot be made breakaway and do not have holes or notches. These posts shall not be installed within the Design Clear Zone. They may be installed behind traffic barrier.
3. For "X", "Y", "H1", "H2", "H3", and "H4", refer to the Sign Specification Sheet in the Contract.
4. For 6x6 posts and larger, 7' (ft) minimum spacing is required between posts.
5. All materials shall meet the requirements of **Standard Specification 9-28**.

POST INSTALLATION TABLE			
POST SIZE (NOM.)	DEPTH	HOLE DIAMETER	NOTCH DEPTH (SEE NOTE 1)
4x4	3' - 0"	NOT REQ'D	NOT REQ'D
4x6	4' - 0"	1 1/2"	1 1/2"
6x6	4' - 0"	2"	2"
6x8	5' - 0"	SEE NOTES 3 & 4	SEE NOTES 3 & 4
6x10	6' - 0"	SEE NOTE 2	SEE NOTE 2
8x10	6' - 0"	SEE NOTE 2	SEE NOTE 2
6x12	7' - 0"	SEE NOTE 2	SEE NOTE 2



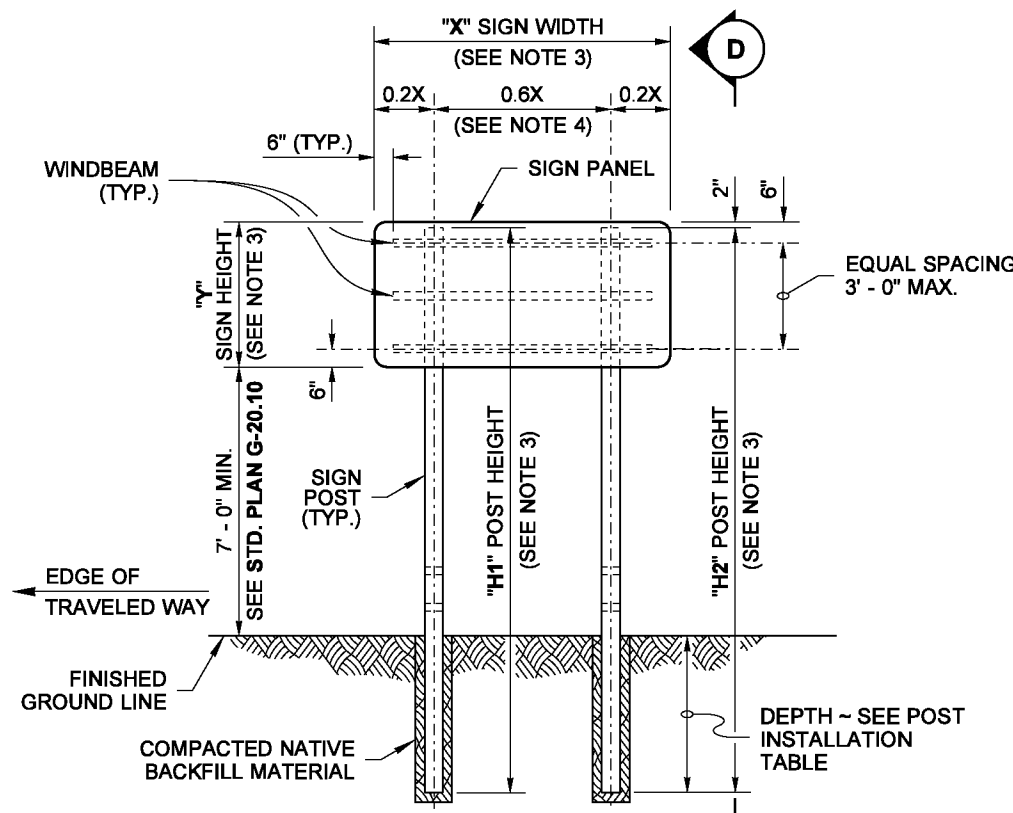
**TIMBER SIGN SUPPORT
STANDARD PLAN G-22.10-03**

SHEET 1 OF 3 SHEETS

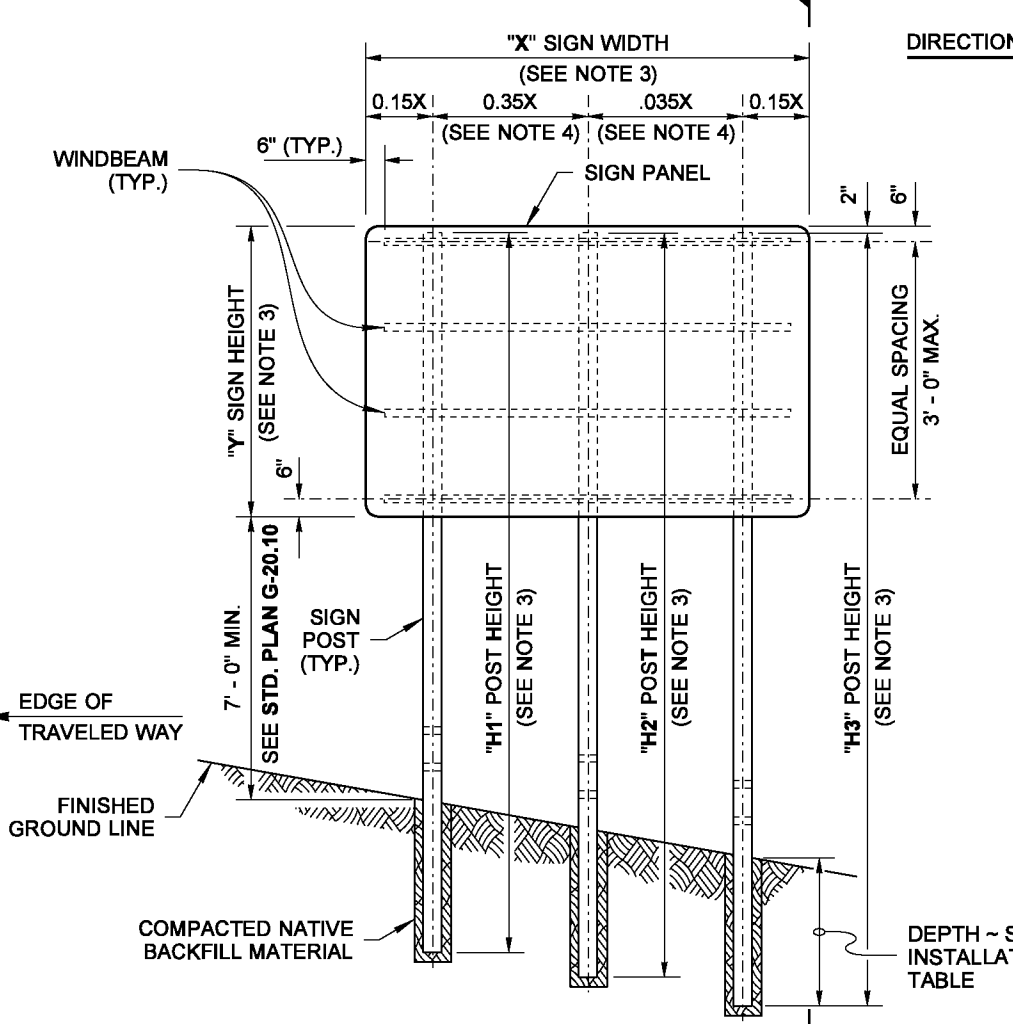
APPROVED FOR PUBLICATION

STATE DESIGN ENGINEER
 Washington State Department of Transportation

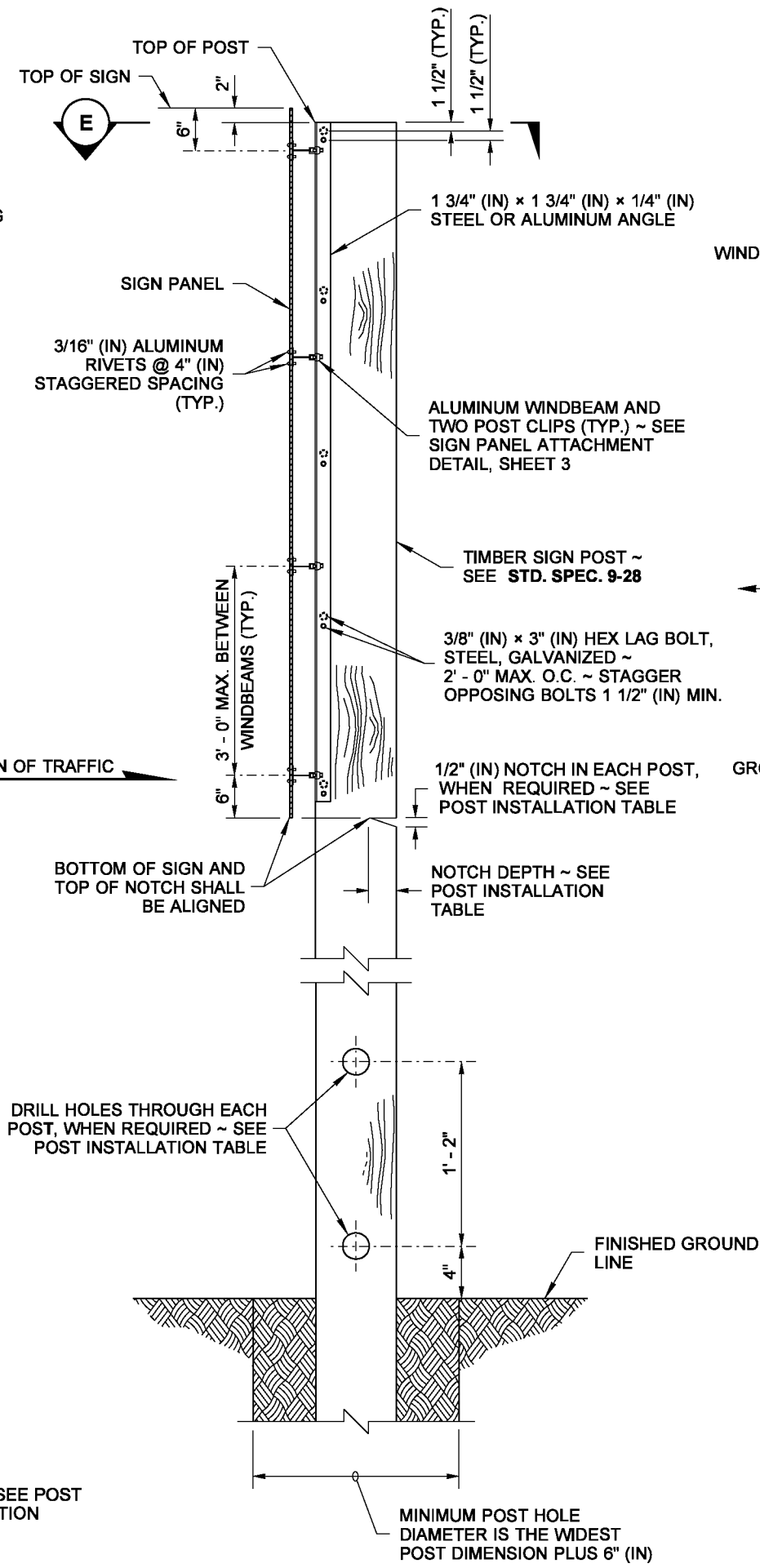
DRAWN BY: BILL BERENS



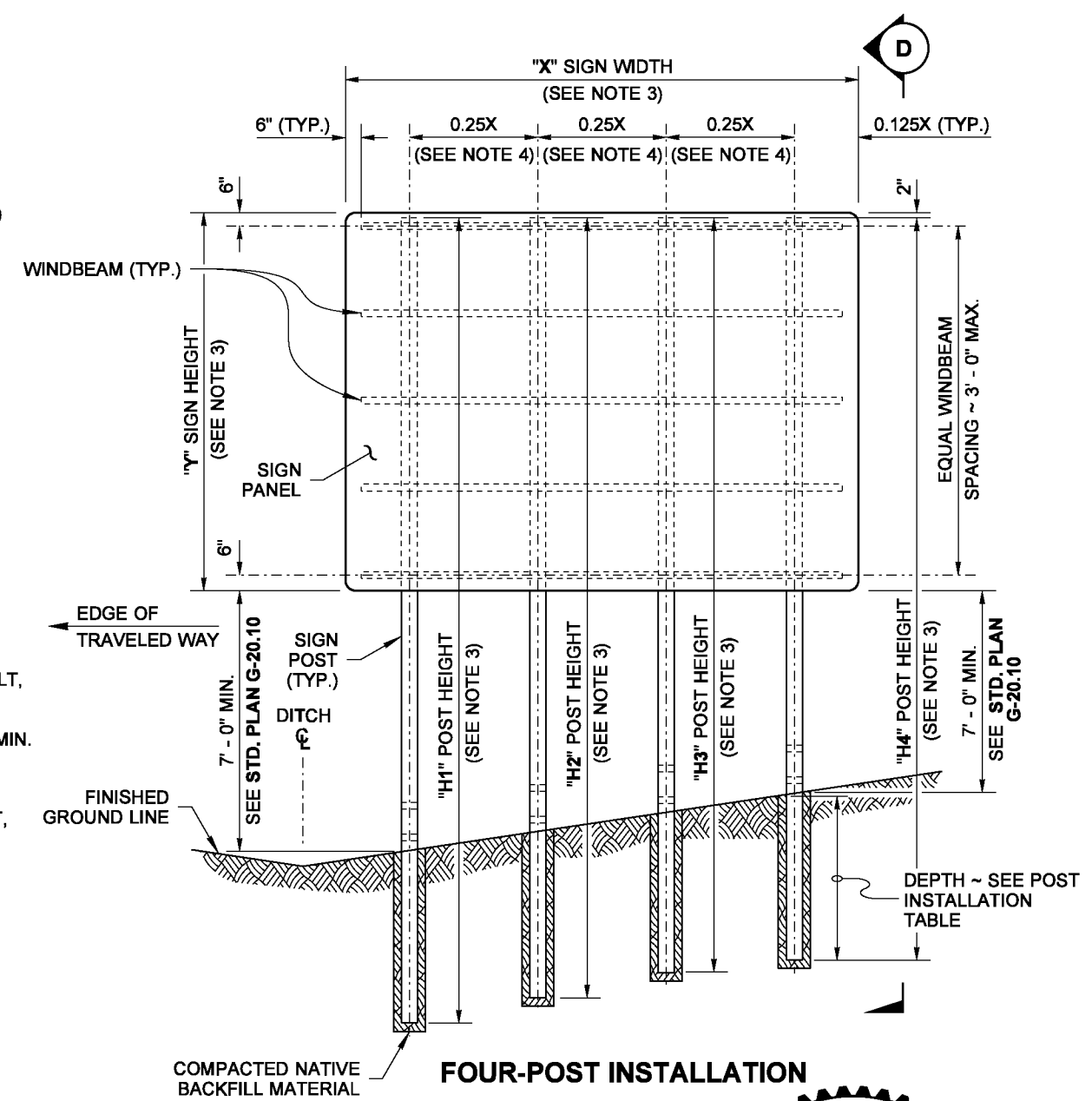
TWO-POST INSTALLATION



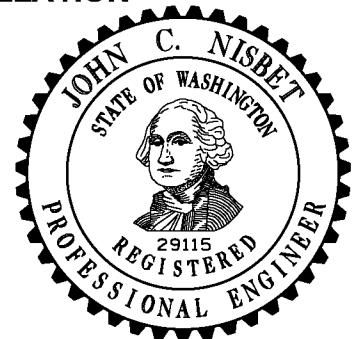
THREE-POST INSTALLATION



VIEW D



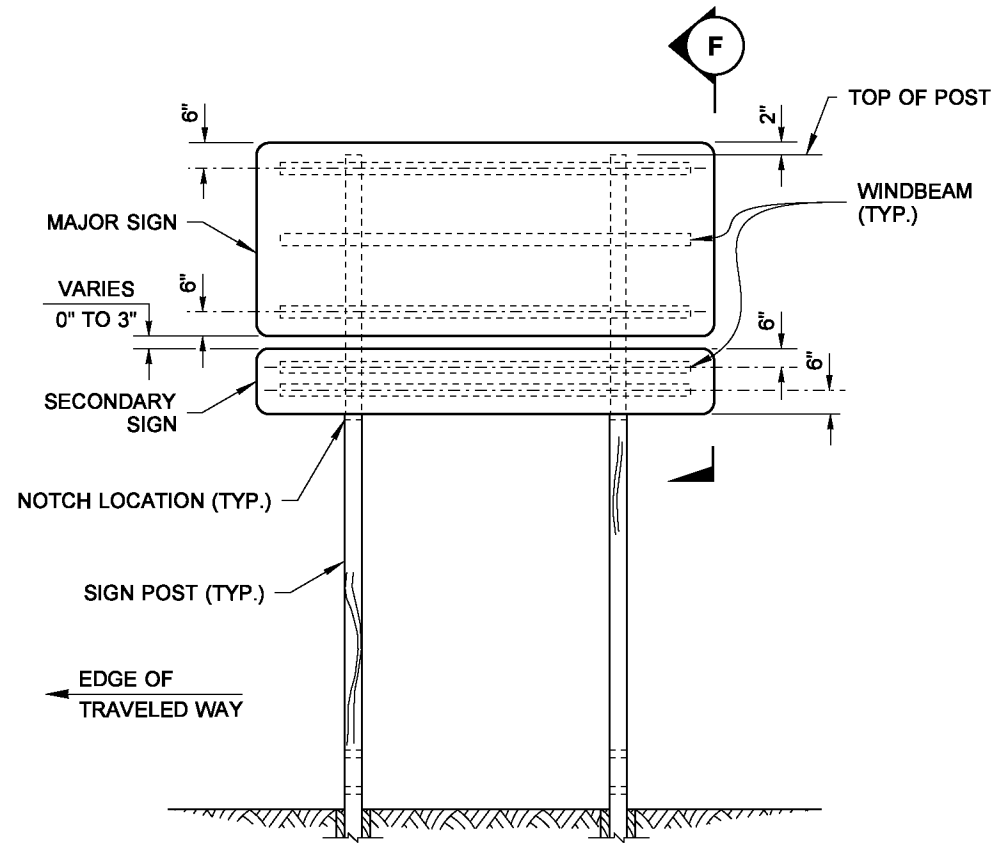
FOUR-POST INSTALLATION



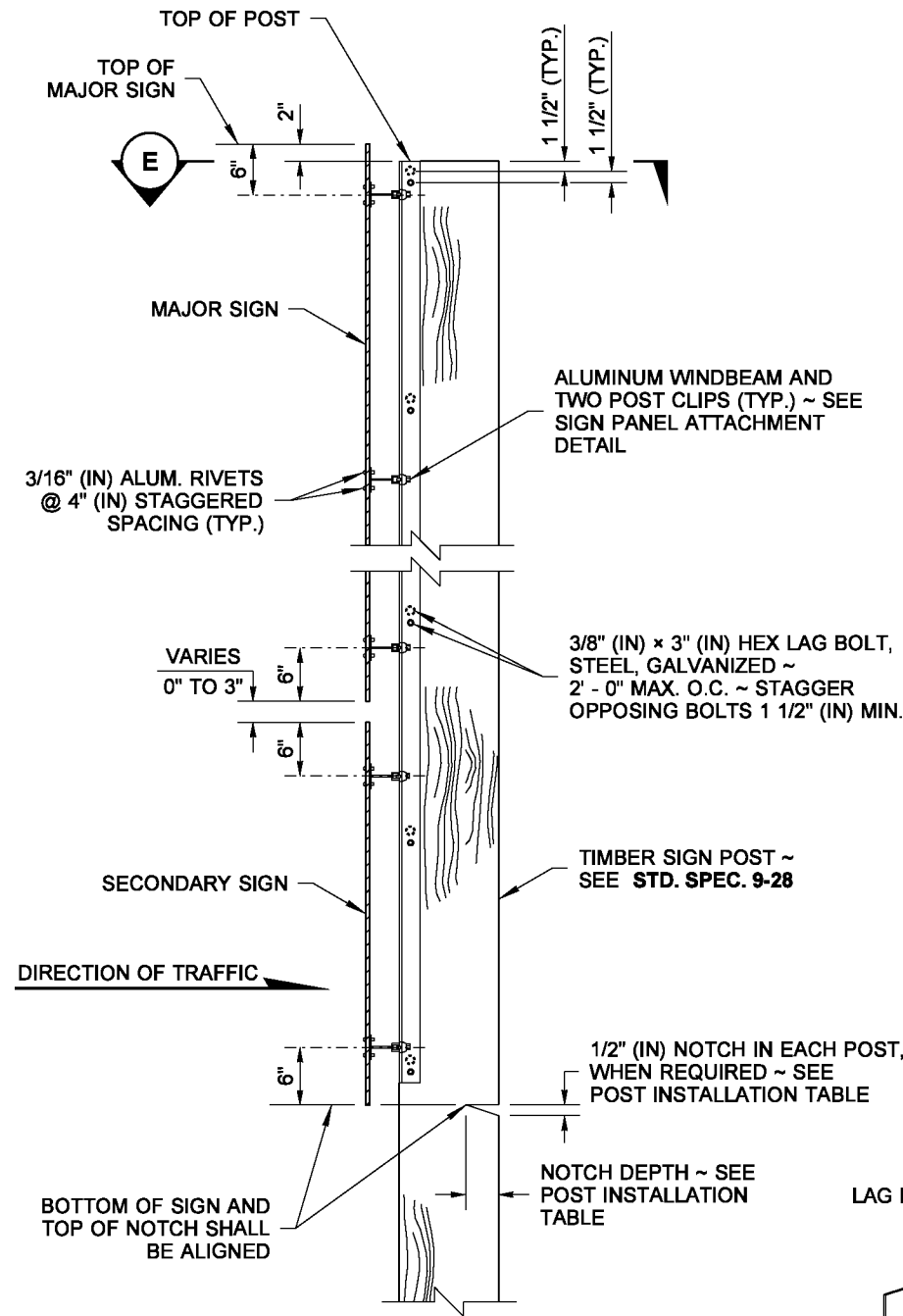
TIMBER SIGN SUPPORT
STANDARD PLAN G-22.10-03

SHEET 2 OF 3 SHEETS
 APPROVED FOR PUBLICATION

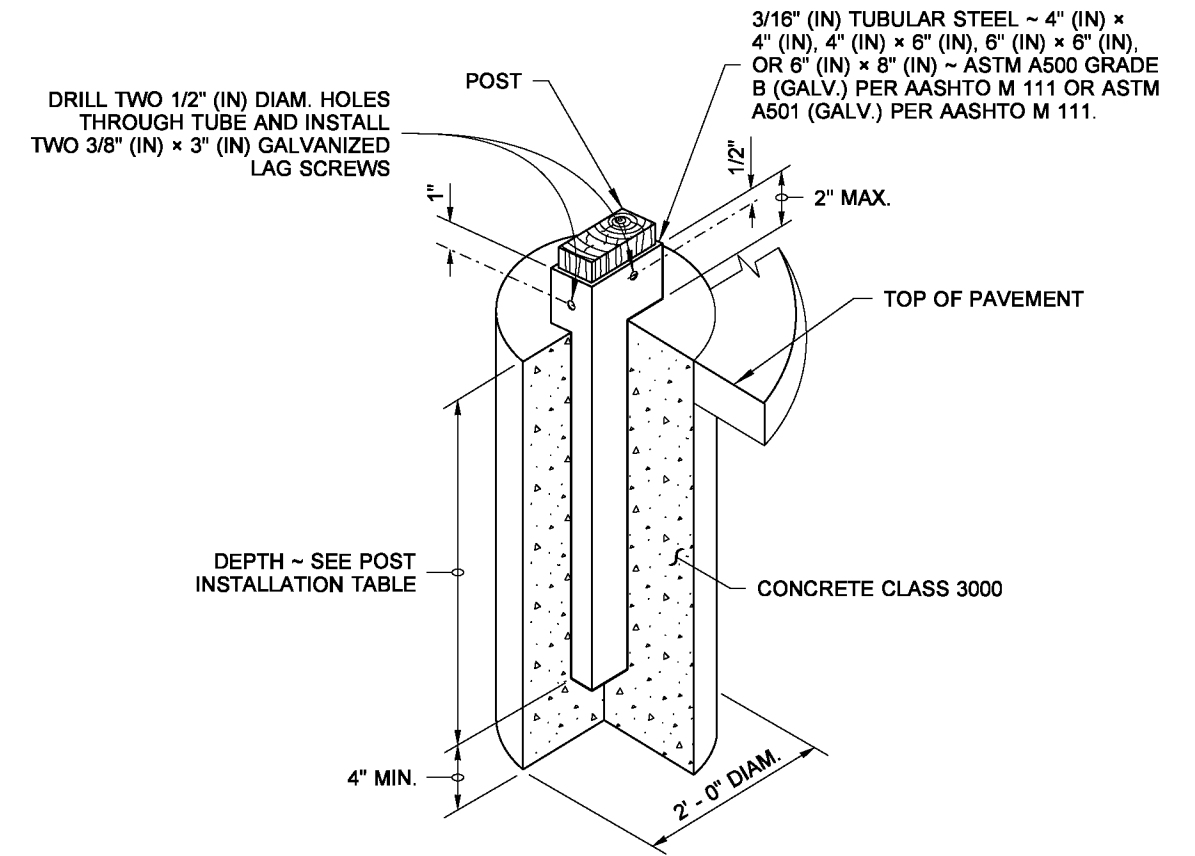
DRAWN BY: BILL BERENS



MAJOR AND SECONDARY SIGN INSTALLATION

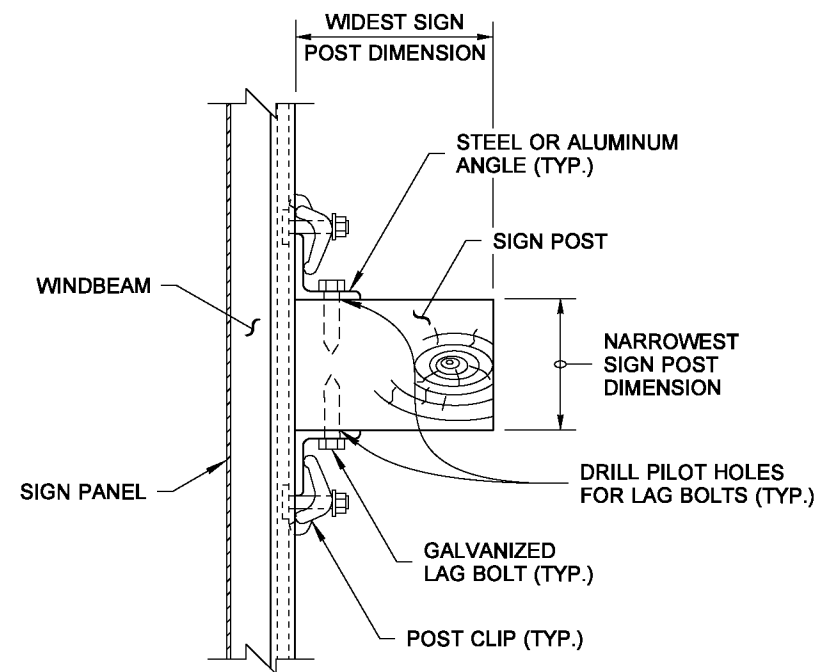


VIEW F

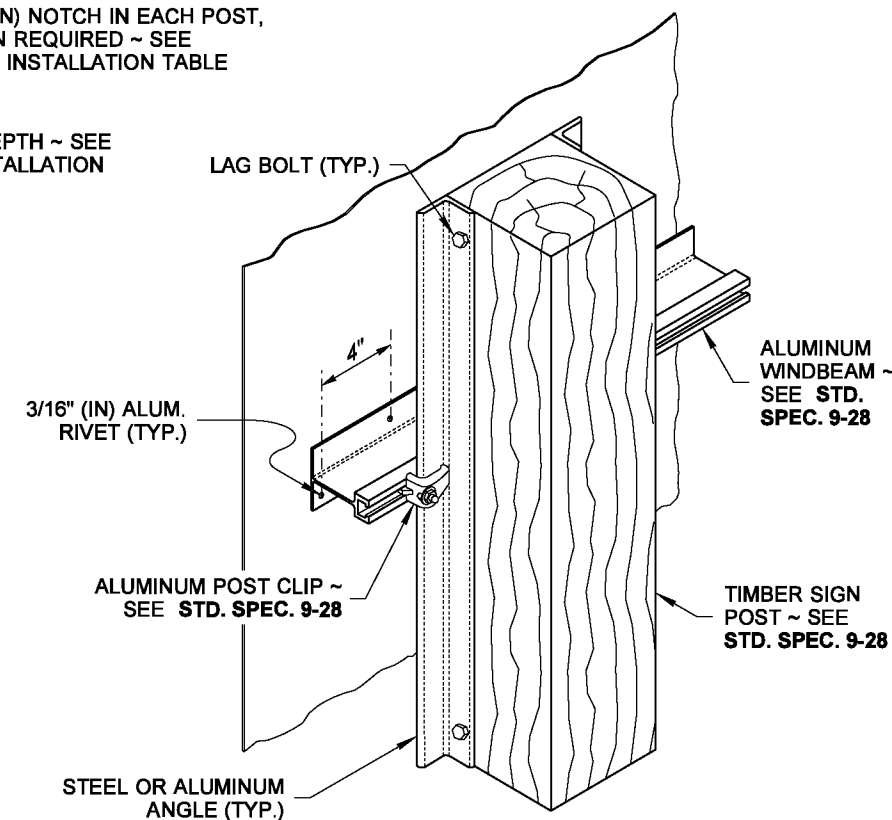


ISOMETRIC VIEW

CONCRETE FOUNDATION SLEEVE DETAIL
TO BE USED WHEN PLACING TIMBER POST IN A PAVED AREA

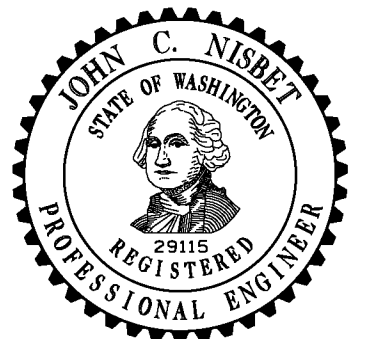


VIEW E



ISOMETRIC VIEW

SIGN PANEL ATTACHMENT DETAIL



TIMBER SIGN SUPPORT

STANDARD PLAN G-22.10-03

SHEET 3 OF 3 SHEETS

APPROVED FOR PUBLICATION

STATE DESIGN ENGINEER
Washington State Department of Transportation