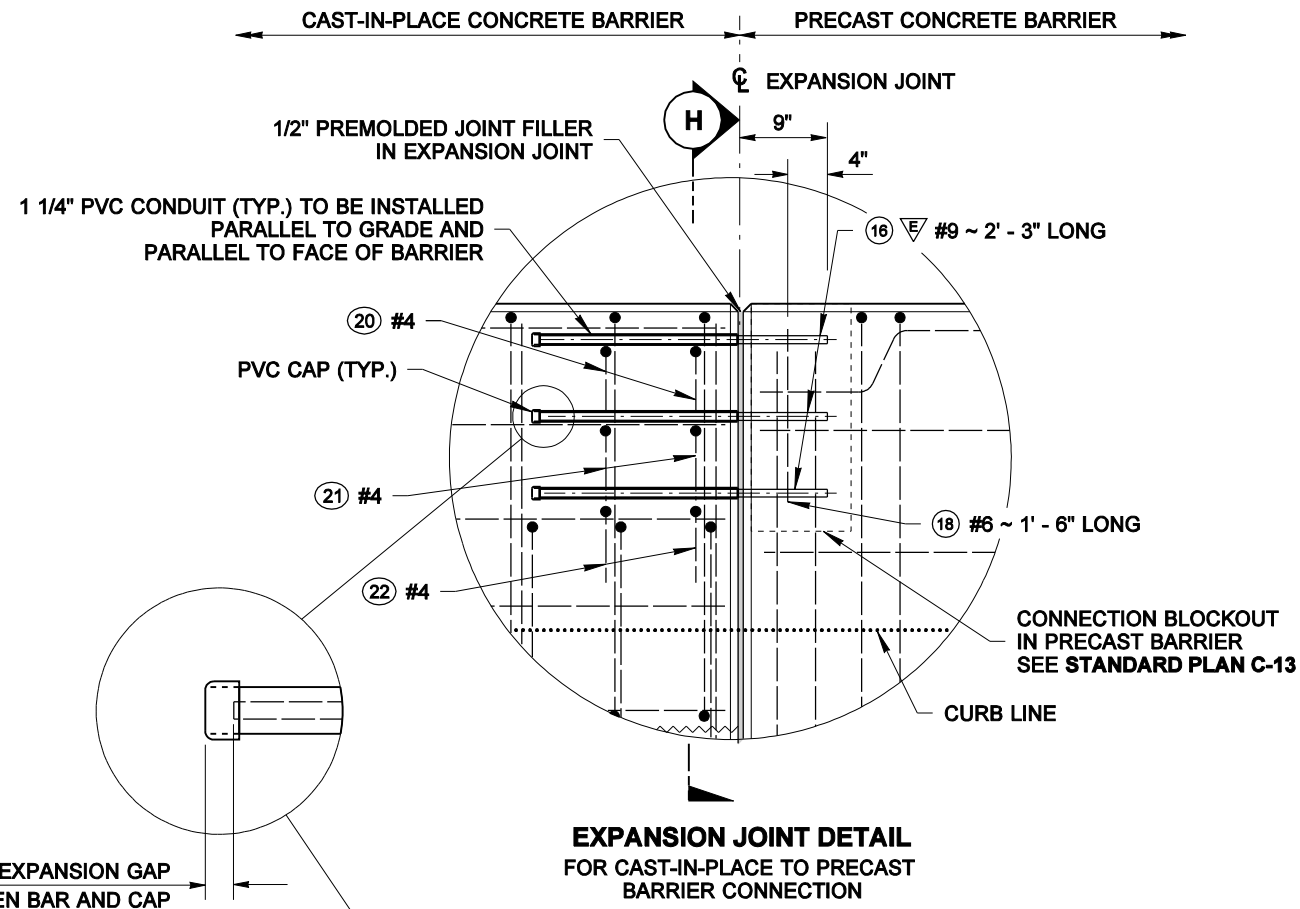
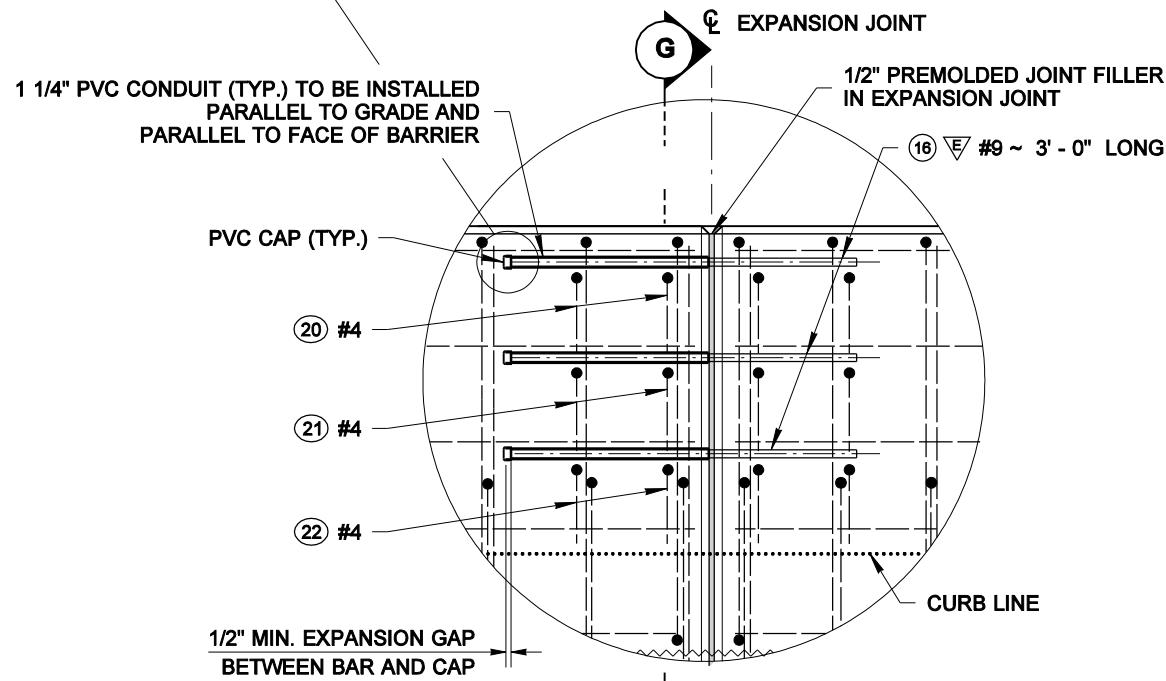


DRAWN BY: FERN LIDDELL



1/2" MIN. EXPANSION GAP BETWEEN BAR AND CAP

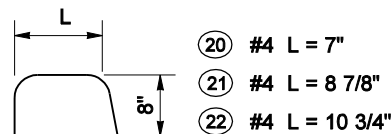


1/2" MIN. EXPANSION GAP BETWEEN BAR AND CAP

REINFORCING STEEL BENDING DIAGRAM

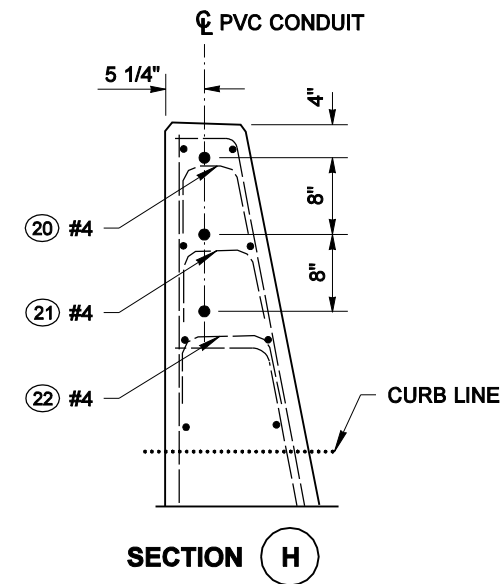
ALL REINFORCING BARS SHOWN ON THIS PLAN SHALL BE AASHTO M 31 UNLESS OTHERWISE NOTED.

ALL DIMENSIONS ARE OUT TO OUT
 = EPOXY COATED

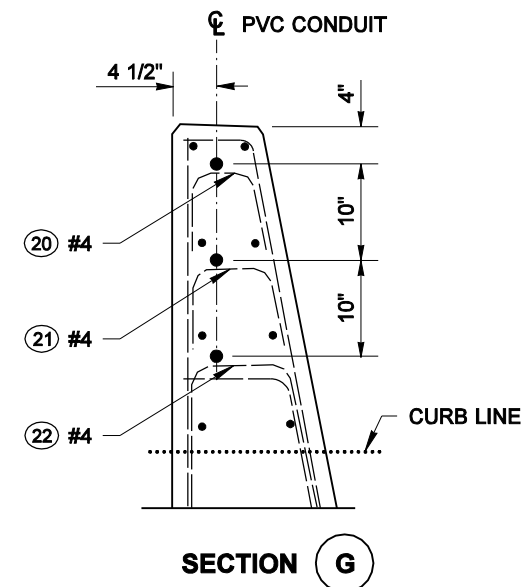


NOTE

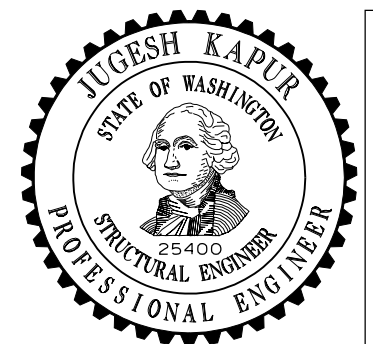
1. Ensure that no concrete enters the PVC conduit during concrete placement.



FOR DETAILS NOT SHOWN ~ SEE TYPICAL SECTION STANDARD PLAN D-3.15 OR D-3.16



FOR DETAILS NOT SHOWN ~ SEE TYPICAL SECTION STANDARD PLAN D-3.15 OR D-3.16



NOTE: THIS PLAN IS NOT A LEGAL ENGINEERING DOCUMENT UNLESS IT IS SIGNED AND SEALED BY THE ENGINEER AND APPROVED FOR PUBLICATION BY THE STATE OF WASHINGTON STATE DEPARTMENT OF TRANSPORTATION. A COPY MAY BE OBTAINED UPON REQUEST.

PERMANENT GEOSYNTHETIC WALL EXPANSION JOINT DETAILS STANDARD PLAN D-3.17-00

SHEET 1 OF 1 SHEET

APPROVED FOR PUBLICATION

Pasco Bakotich III 06-16-11

STATE DESIGN ENGINEER

DATE

