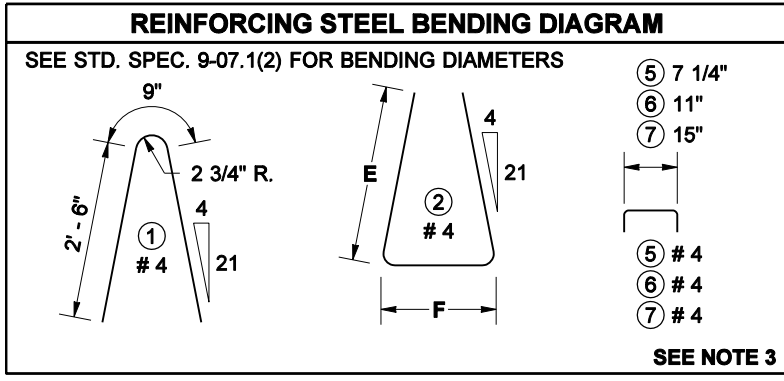
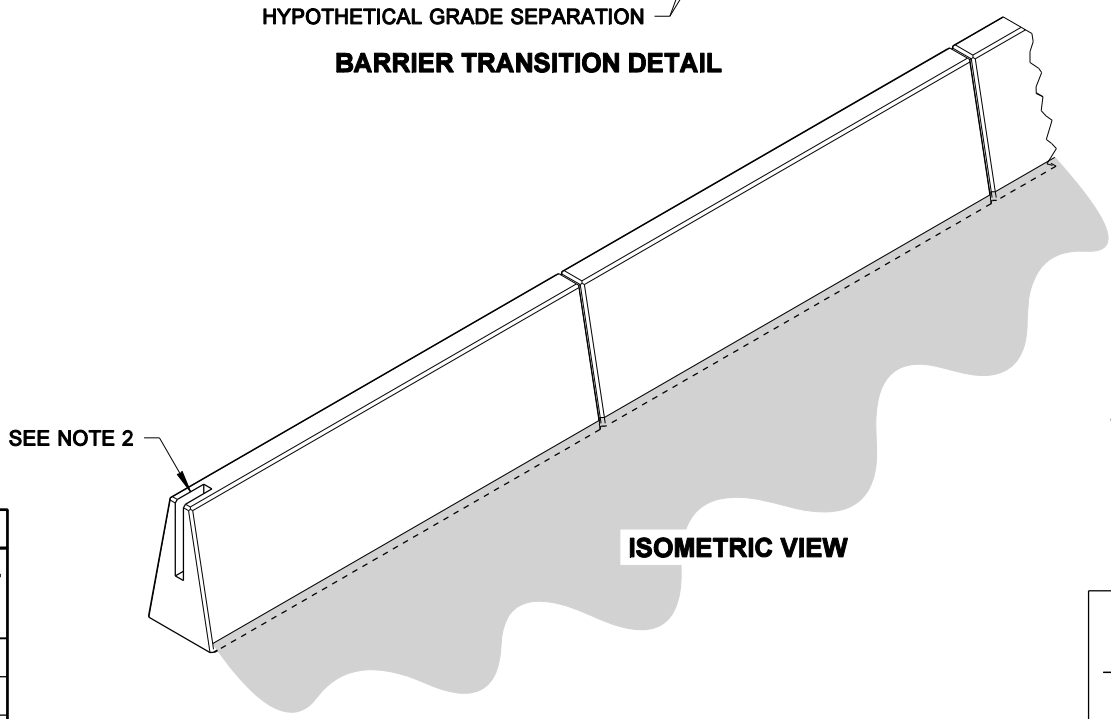


TYPICAL SECTION  
DUMMY JOINT DETAIL



BARRIER HEIGHT	DIMENSION TABLE					SEE NOTE 3
	A	B	D	E	F	HORIZONTAL BARS (QTY.)
3' - 6"	8"	2' - 0"	3	2' - 6"	1' - 8"	8
4' - 0"	9 1/8"	2' - 2 1/4"	4	3' - 0"	1' - 10"	10
4' - 6"	10 1/4"	2' - 4 1/2"	5	3' - 6 1/2"	2' - 0"	12



NOTES

1. Reinforcing steel dimensions and clearances are shown for stationary form construction. When slip-form construction is used, increase reinforcing steel clearances to the outside surfaces of the barrier to 2 1/2" and adjust the rebar dimensions as required.
2. When connecting between cast-in-place and precast single slope barrier, provide a Blockout, Rebar Grid, and added rebar, as shown in Standard Plan C-13.
3. The actual dimensions will vary as the grades change and the barrier transitions in height and width. The dimensions may be interpolated for intermediate barrier heights.
4. For Barrier with a 2' - 10" reveal, see Sheet 2. For High Performance Barrier with a 3' - 6" reveal, see Sheet 3.

DRAWN BY: LISA CYFORD



EXPIRES JULY 24, 2008

**SINGLE SLOPE CONCRETE BARRIER (CAST-IN-PLACE) DUAL-FACED STANDARD PLAN C-14a**

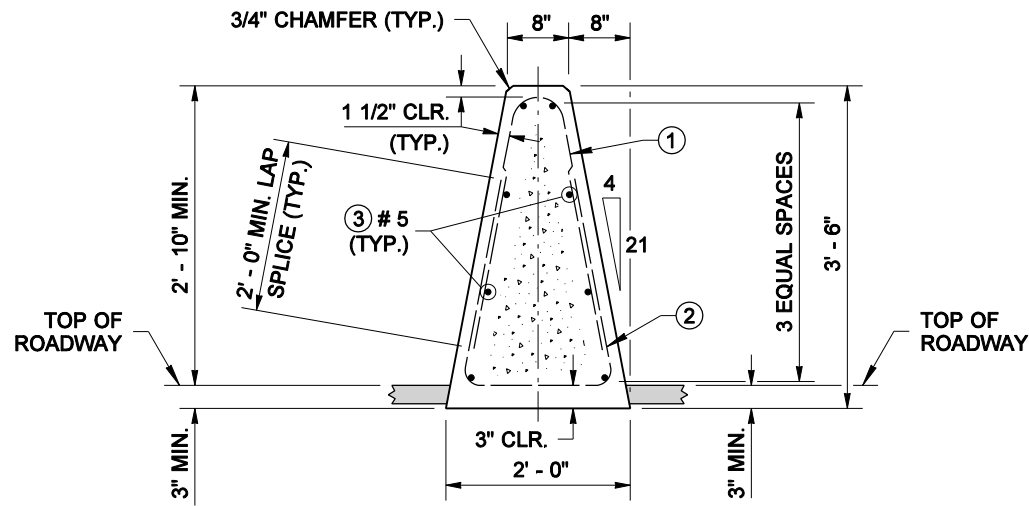
SHEET 1 OF 3 SHEETS

APPROVED FOR PUBLICATION

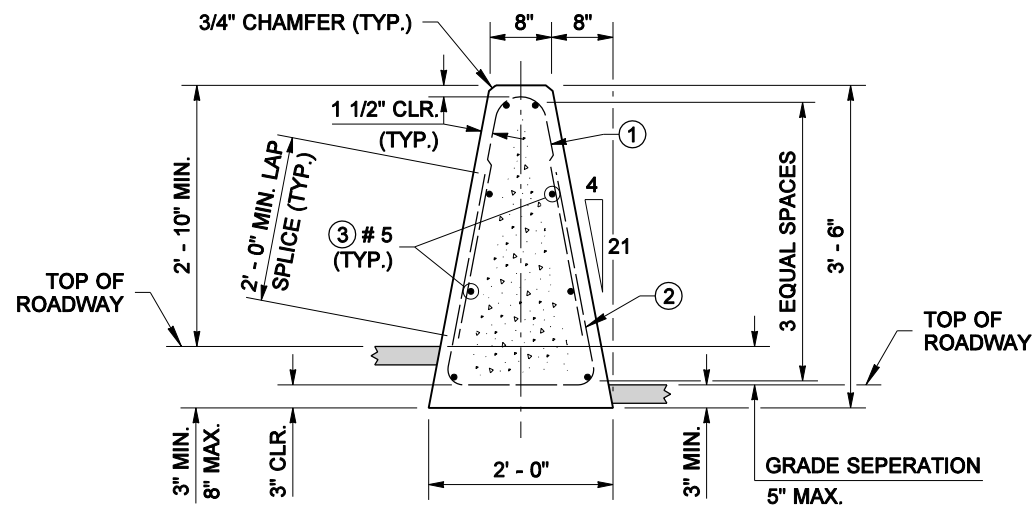
**Pasco Bakotich III** 07-03-08  
STATE DESIGN ENGINEER DATE

Washington State Department of Transportation

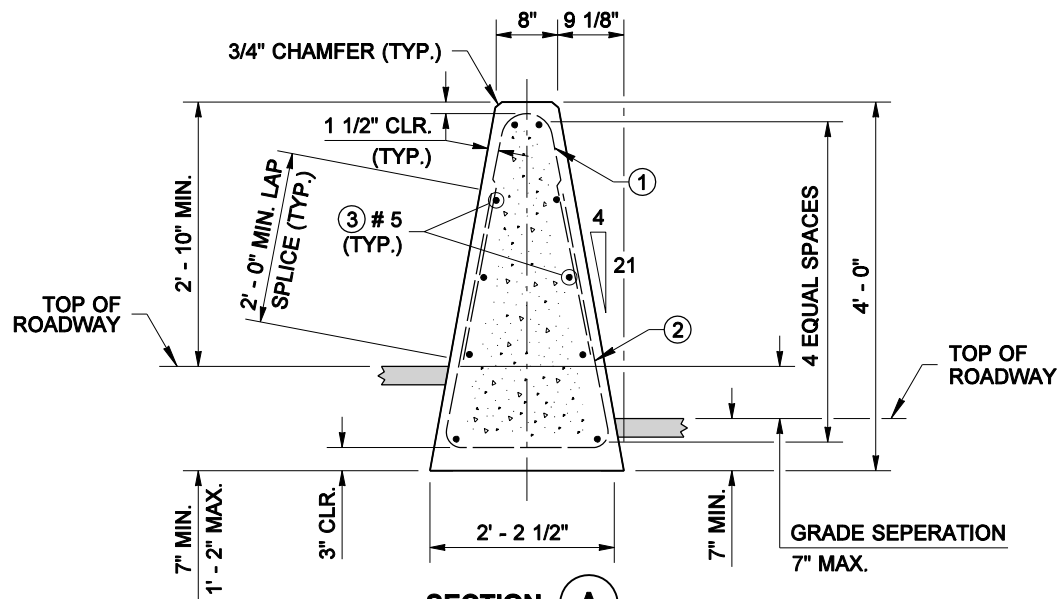
NOTE: THIS PLAN IS NOT A LEGAL ENGINEERING DOCUMENT. NO ENGINEERING DESIGN, CALCULATIONS, OR CONSTRUCTION SHALL BE BASED ON THIS PLAN UNLESS IT IS APPROVED BY THE ENGINEER AND APPROVED FOR ORIGINATOR'S SIGNATURE AND FILED AT THE WASHINGTON STATE DEPARTMENT OF TRANSPORTATION. A COPY MAY BE OBTAINED UPON REQUEST.



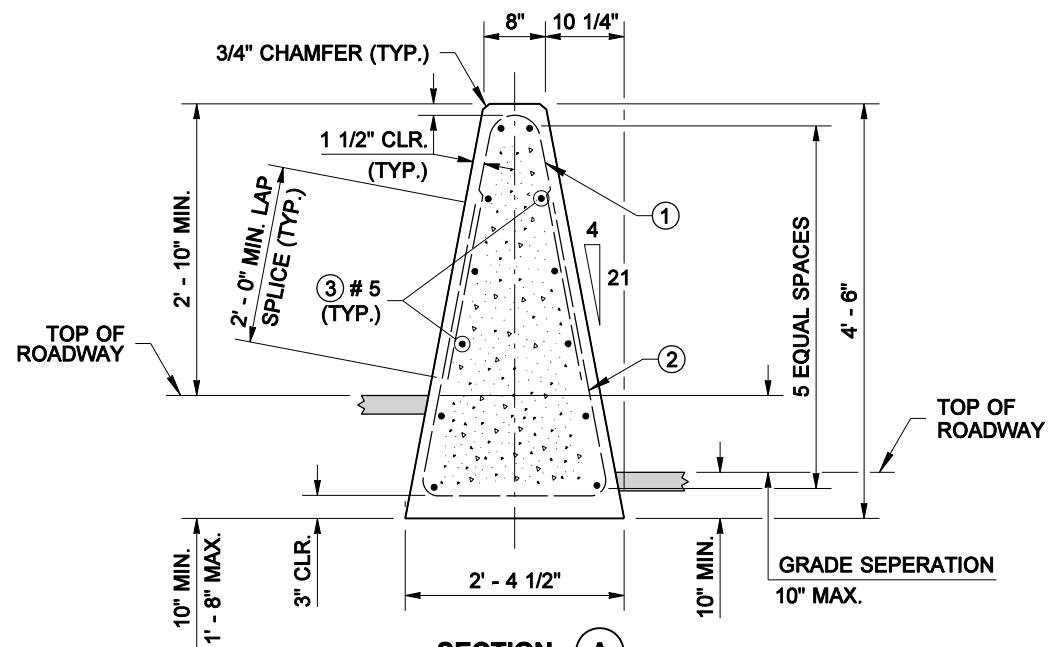
**SECTION A**  
3' - 6" BARRIER  
SHOWN LEVEL



**SECTION A**  
3' - 6" BARRIER FOR USE WITH A  
0" TO 5" MAX. GRADE SEPARATION  
(SEE NOTE 3)



**SECTION A**  
4' - 0" BARRIER FOR USE WITH A  
GREATER THAN 5" TO 7" MAX.  
GRADE SEPARATION  
(SEE NOTE 3)



**SECTION A**  
4' - 6" BARRIER FOR USE WITH A  
GREATER THAN 7" TO 10" MAX.  
GRADE SEPARATION  
(SEE NOTE 3)

**STANDARD MOUNTING HEIGHT**



EXPIRES JULY 24, 2008

NOTE: THIS PLAN IS NOT A LEGAL ENGINEERING DOCUMENT UNLESS IT IS APPROVED FOR PUBLICATION BY THE ENGINEER AND APPROVED FOR BY THE STATE OF WASHINGTON. THE ENGINEER'S SEAL AND SIGNATURE MUST BE ON FILE AT THE WASHINGTON STATE DEPARTMENT OF TRANSPORTATION. A COPY MAY BE OBTAINED UPON REQUEST.

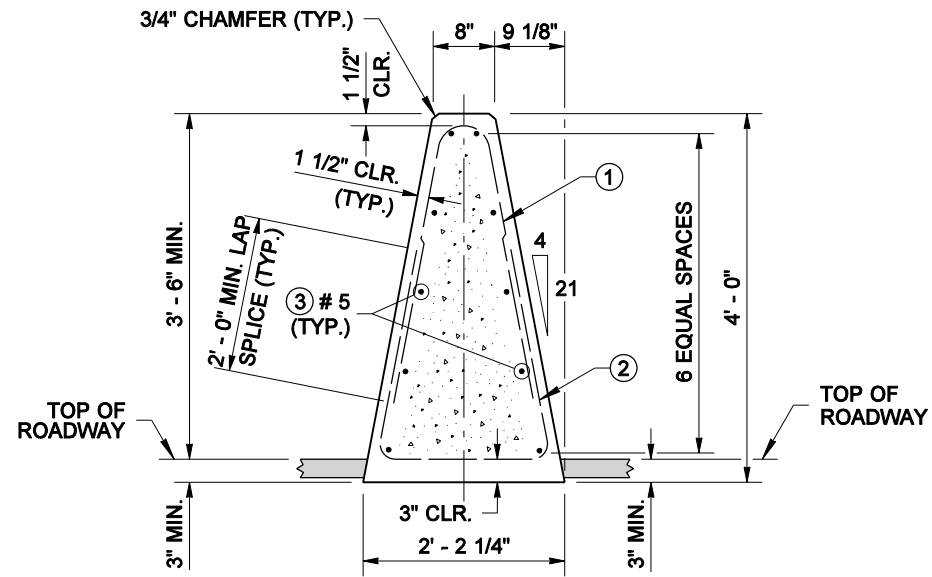
**SINGLE SLOPE CONCRETE  
BARRIER (CAST-IN-PLACE)  
DUAL-FACED  
STANDARD PLAN C-14a**

SHEET 2 OF 3 SHEETS

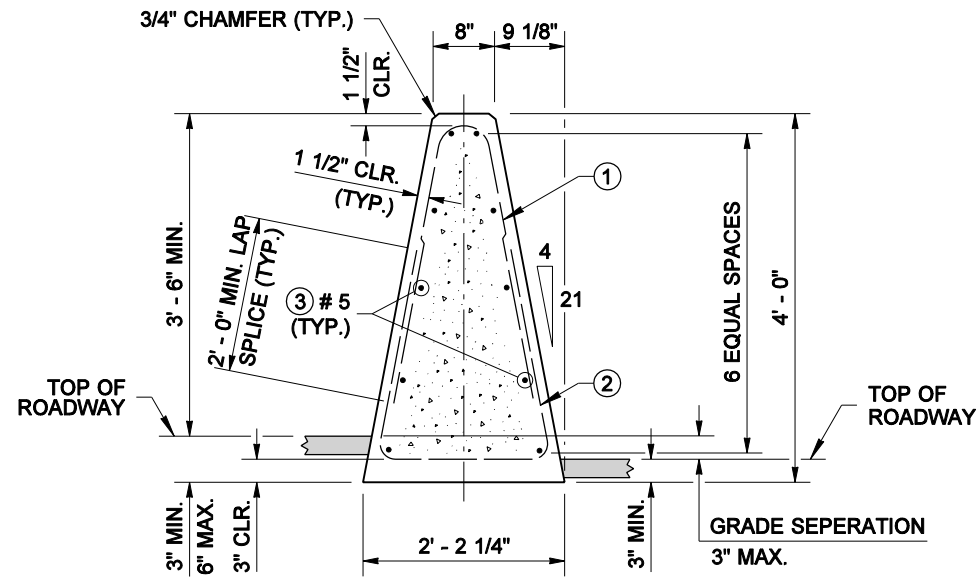
APPROVED FOR PUBLICATION

**Pasco Bakotich III** 07-03-08  
STATE DESIGN ENGINEER DATE

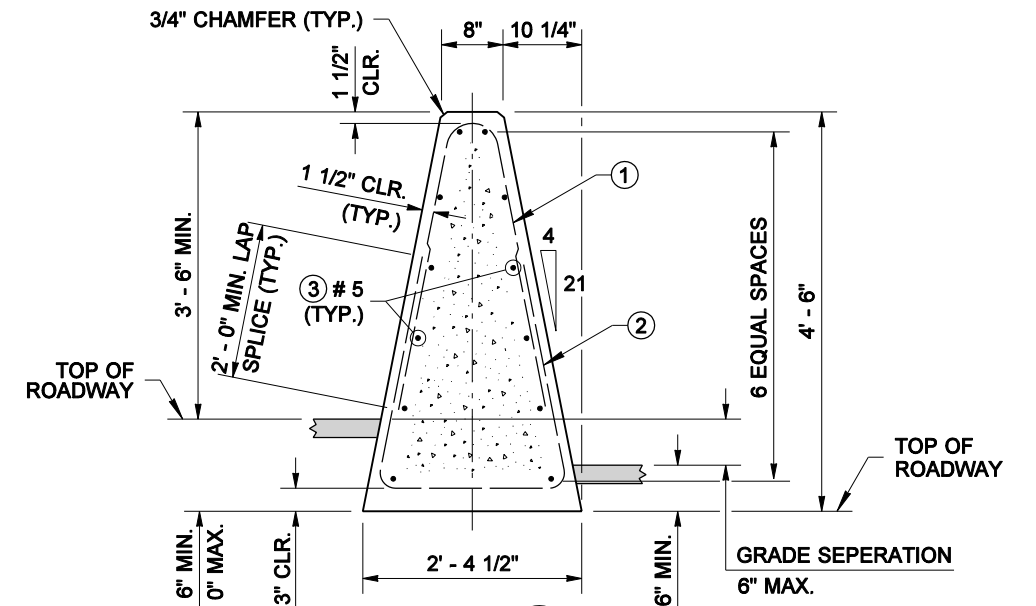




**SECTION A**  
4' - 0" BARRIER  
SHOWN LEVEL



**SECTION A**  
4' - 0" BARRIER FOR USE WITH A  
0" TO 3" MAX. GRADE SEPARATION  
(SEE NOTE 3)



**SECTION A**  
4' - 6" BARRIER FOR USE WITH A  
GREATER THAN 3" TO 6" MAX.  
GRADE SEPARATION  
(SEE NOTE 3)



EXPIRES JULY 24, 2008

NOTE: THIS PLAN IS NOT A LEGAL ENGINEERING DOCUMENT UNLESS IT IS APPROVED FOR PUBLICATION BY THE ENGINEER AND APPROVED FOR OR CALLED OUT BY REFERENCE IN THE WASHINGTON STATE DEPARTMENT OF TRANSPORTATION. A COPY MAY BE OBTAINED UPON REQUEST.

**SINGLE SLOPE CONCRETE  
BARRIER (CAST-IN-PLACE)  
DUAL-FACED  
STANDARD PLAN C-14a**

SHEET 3 OF 3 SHEETS

APPROVED FOR PUBLICATION

**Pasco Bakotich III** 07-03-08  
STATE DESIGN ENGINEER DATE



**HIGH PERFORMANCE BARRIER**