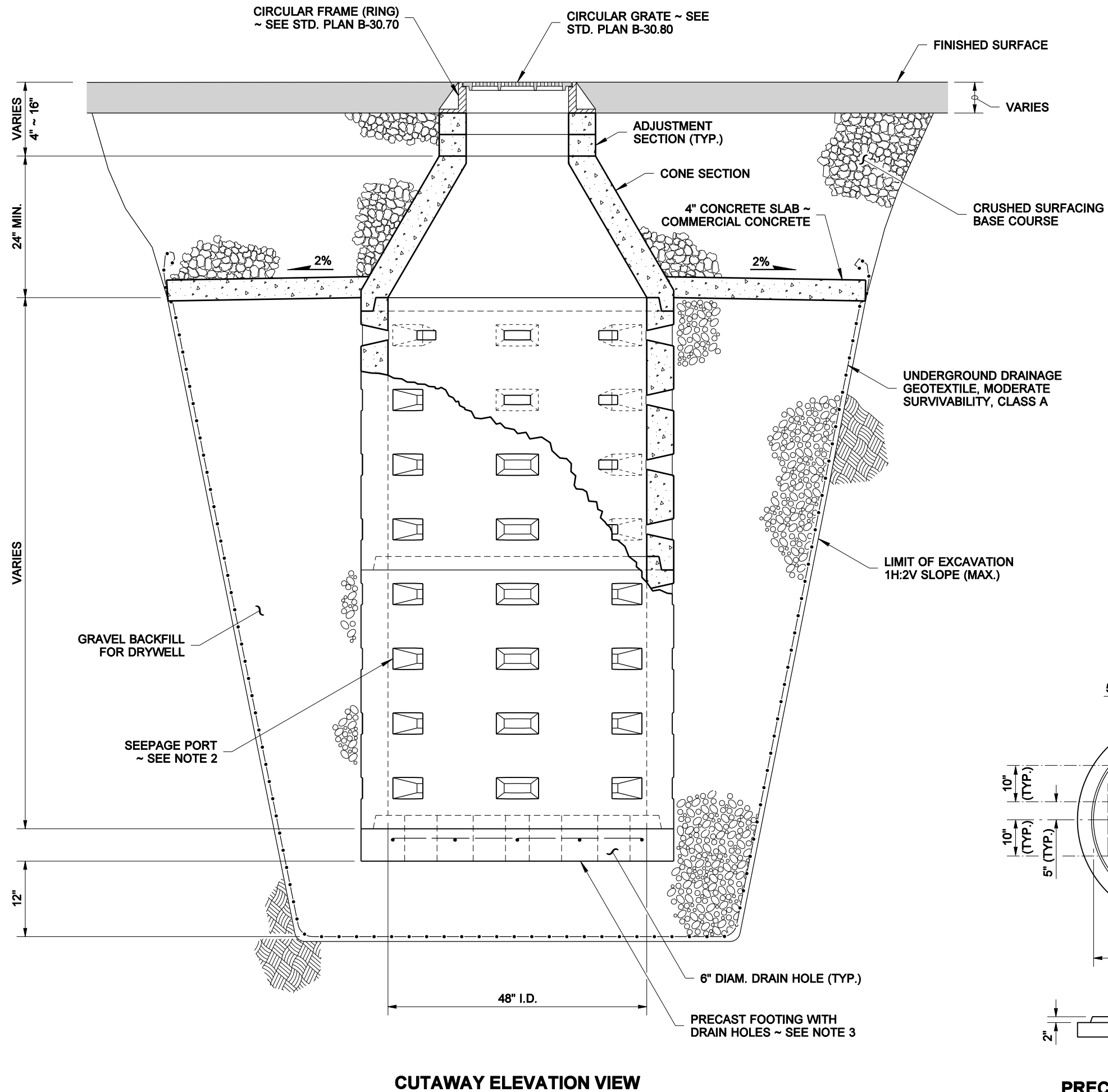


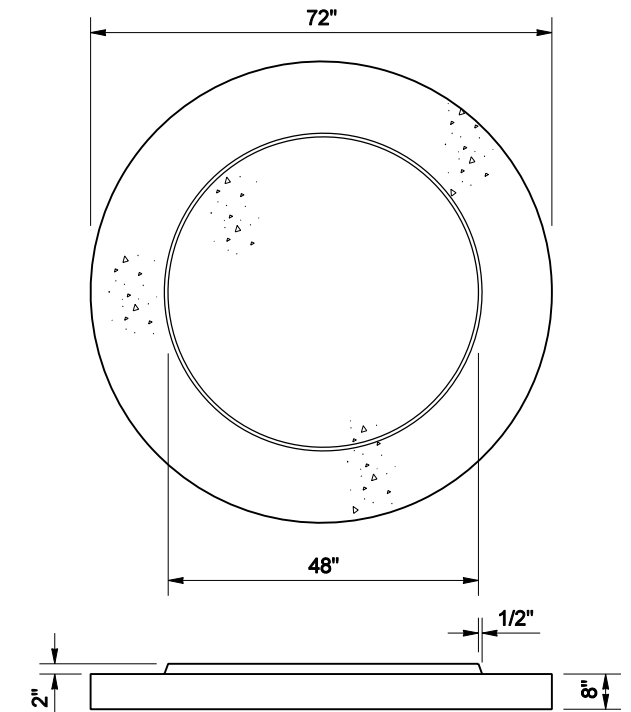
DRAWN BY: LISA CYFORD



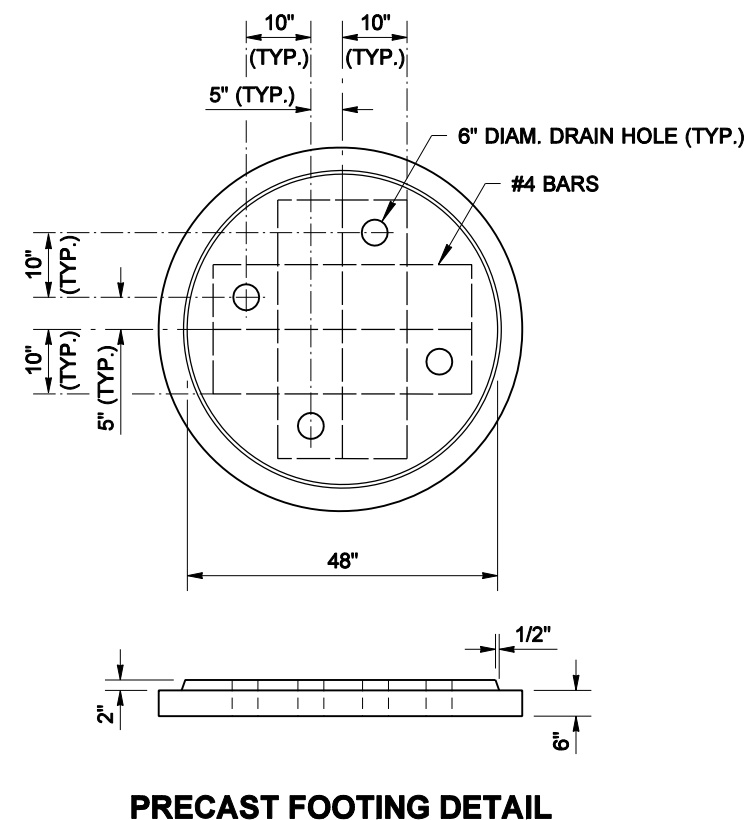
CUTAWAY ELEVATION VIEW

NOTES

1. Precast concrete cone sections may be eccentric or concentric.
2. Seepage port orientation varies among manufacturers.
3. For depths over 15' use 72" x 8" Alternative Precast Footing.



ALTERNATIVE PRECAST FOOTING DETAIL



PRECAST FOOTING DETAIL



EXPIRES JULY 1, 2009

NOTE: THIS PLAN IS NOT A LEGAL ENGINEERING DOCUMENT UNLESS IT IS SIGNED BY THE ENGINEER AND APPROVED FOR PUBLICATION. THE ENGINEER HAS REVIEWED THIS PLAN AND IS FILED AT THE WASHINGTON STATE DEPARTMENT OF TRANSPORTATION. A COPY MAY BE OBTAINED UPON REQUEST.

**DRYWELL TYPE 3
(WITH AT-GRADE INLET)
STANDARD PLAN B-20.60-02**

SHEET 1 OF 1 SHEET

APPROVED FOR PUBLICATION

Pasco Bakotich III 06-10-08
STATE DESIGN ENGINEER DATE

