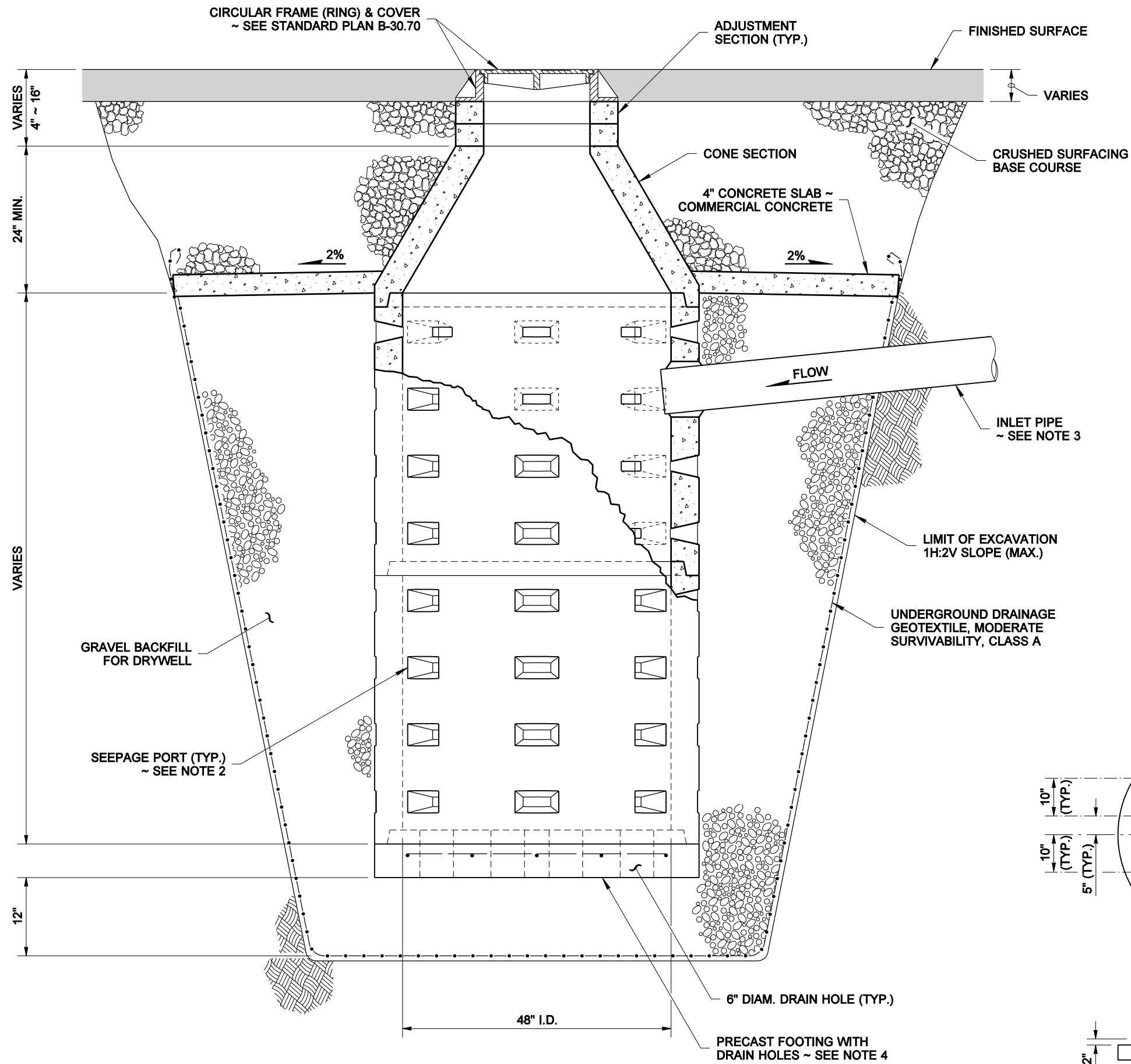


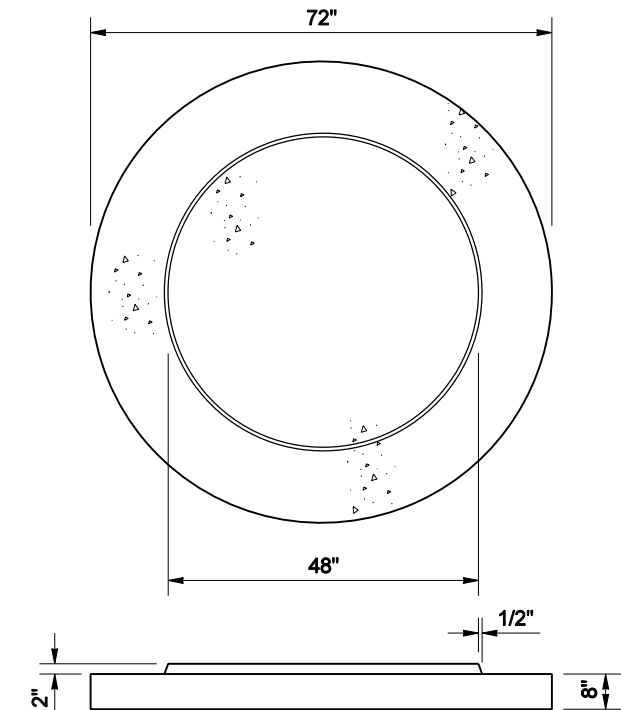
DRAWN BY: LISA CYFORD



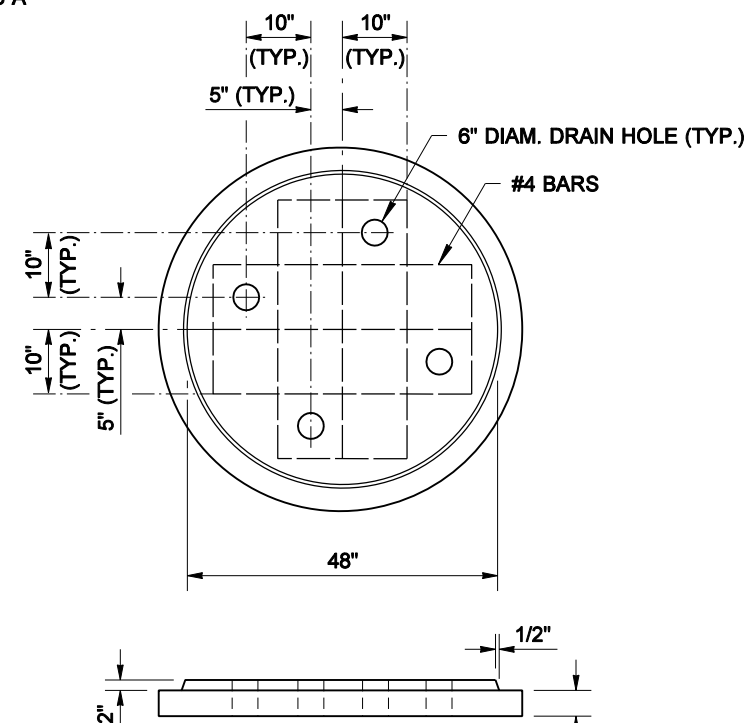
CUTAWAY ELEVATION VIEW

NOTES

1. Precast concrete cone sections may be eccentric or concentric.
2. Seepage port orientation varies among manufacturers.
3. Connect inlet pipe to structure using precast hole or core drilled hole.
4. For depths over 15' use 72" x 8" Alternative Precast Footing.



ALTERNATIVE PRECAST FOOTING DETAIL



PRECAST FOOTING DETAIL



EXPIRES JULY 1, 2009

NOTE: THIS PLAN IS NOT A LEGAL ENGINEERING DOCUMENT UNLESS IT IS APPROVED AND SIGNED BY THE ENGINEER AND APPROVED FOR PUBLICATION. FILE AT THE WASHINGTON STATE DEPARTMENT OF TRANSPORTATION. A COPY MAY BE OBTAINED UPON REQUEST.

DRYWELL TYPE 2 (WITH PIPE INLET)
STANDARD PLAN B-20.40-02

SHEET 1 OF 1 SHEET

APPROVED FOR PUBLICATION

Pasco Bakotich III 06-10-08
 STATE DESIGN ENGINEER DATE

