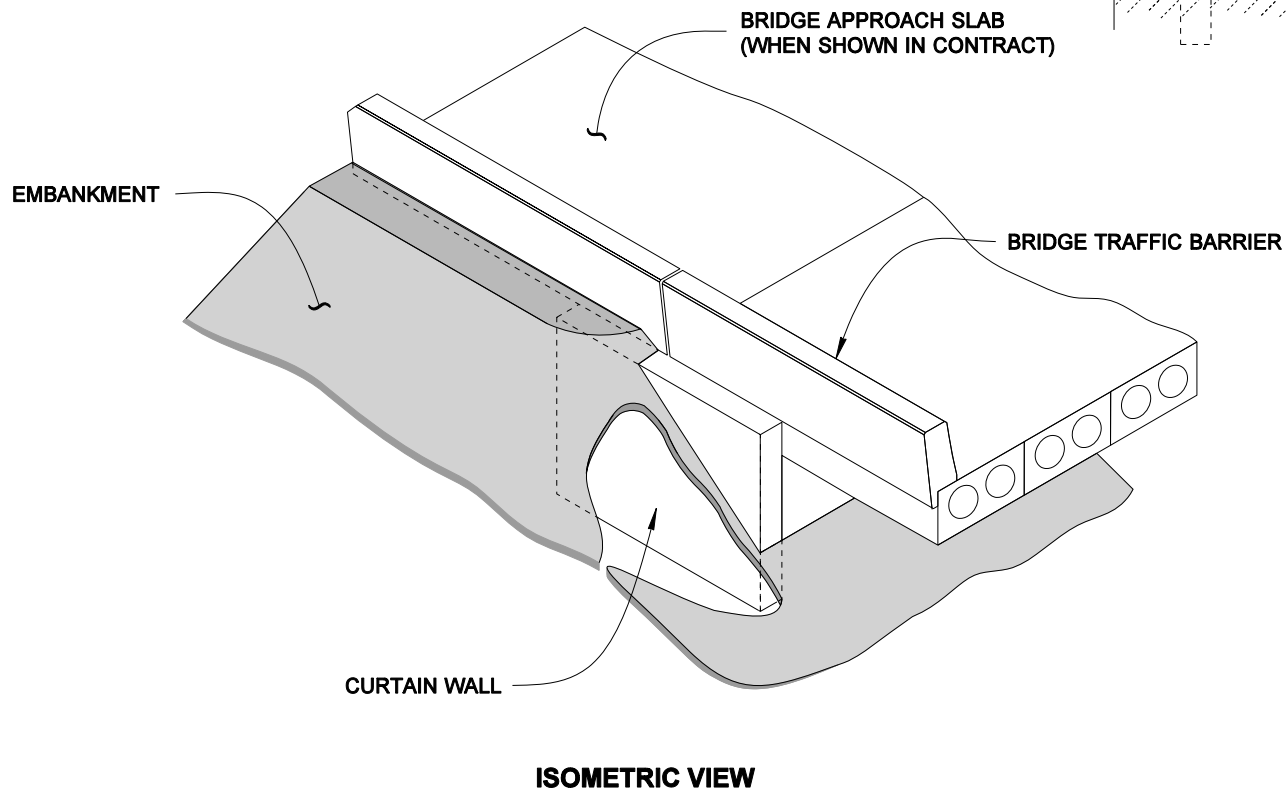
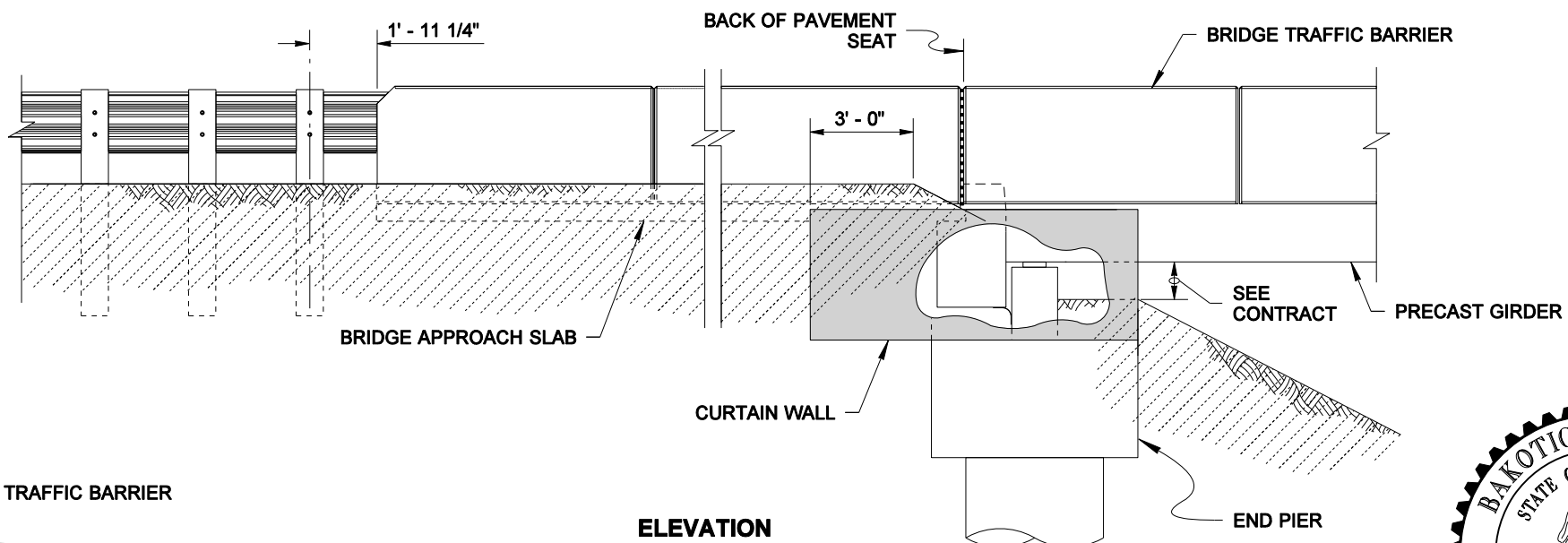
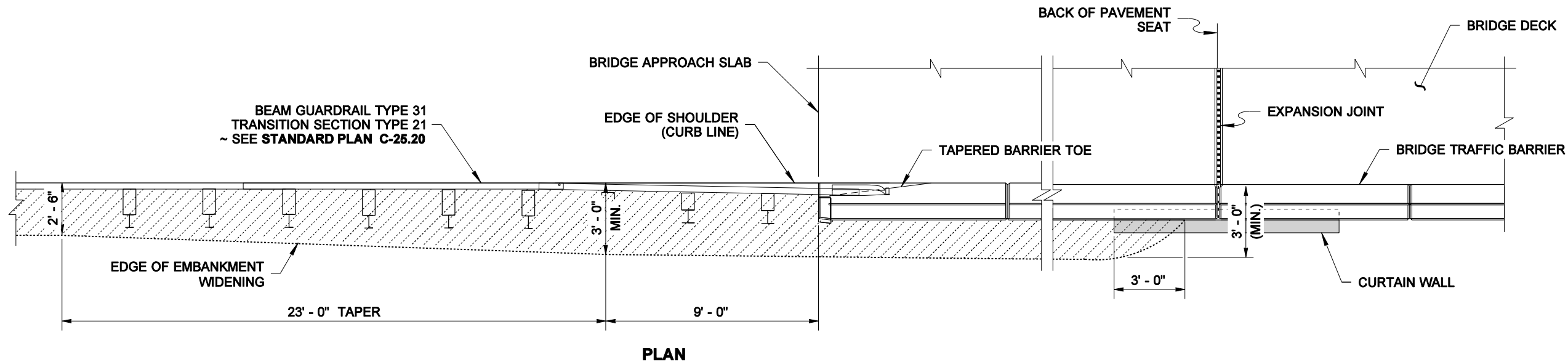


DRAWN BY: FERN LIDDELL



NOTE: THIS PLAN IS NOT A LEGAL ENGINEERING DOCUMENT
 THIS ELEVATION DRAWING IS THE PROPERTY OF PASCO BAKOTICH III
 THE ENGINEER HAS APPROVED THIS DRAWING AS SHOWN ON
 FILE AT THE WASHINGTON STATE DEPARTMENT OF TRANSPORTATION. A COPY MAY BE OBTAINED UPON REQUEST.

**EMBANKMENT WIDENING
 AT BRIDGE END
 WITH CURTAIN WALL
 STANDARD PLAN A-50.20-00**

SHEET 1 OF 2 SHEETS

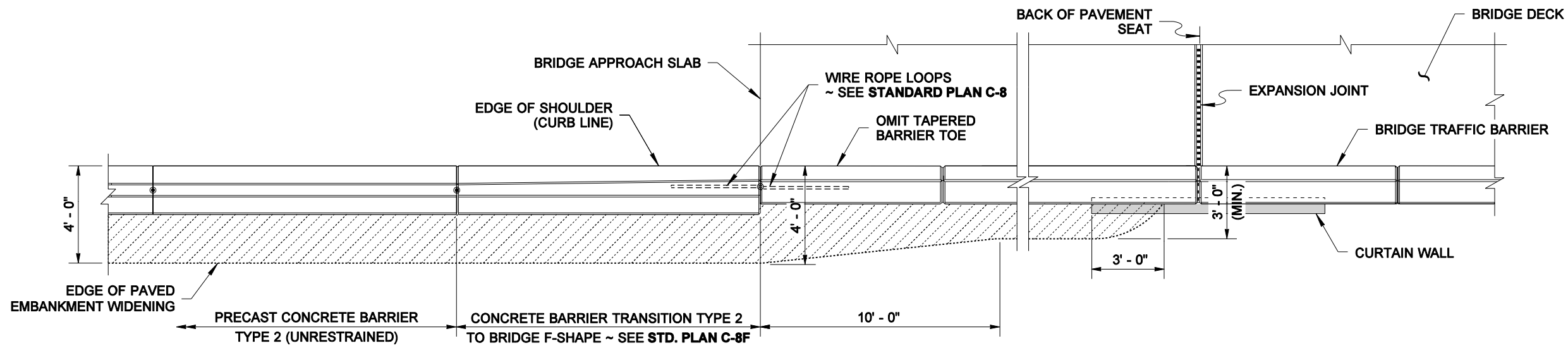
APPROVED FOR PUBLICATION

Pasco Bakotich III 11-17-08
 STATE DESIGN ENGINEER DATE

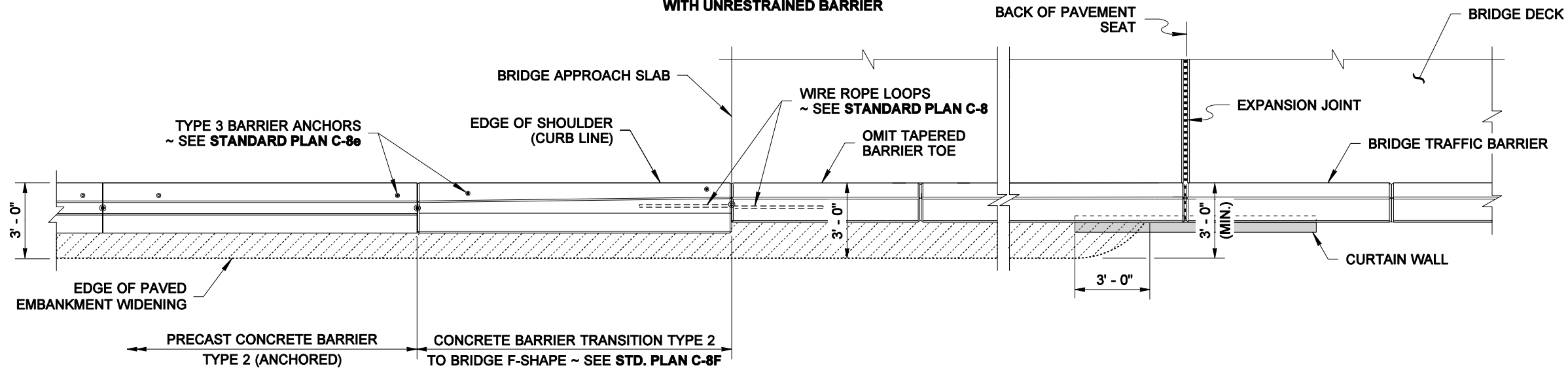


BEAM GUARDRAIL CONNECTION TO BRIDGE TRAFFIC BARRIER

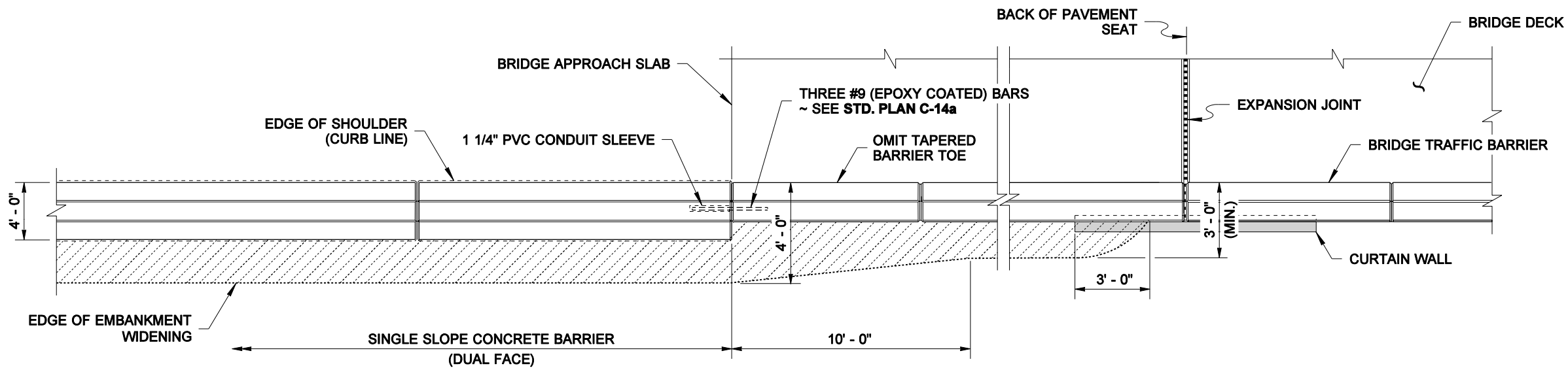
DRAWN BY: FERN LIDDELL



PLAN WITH UNRESTRAINED BARRIER



PLAN WITH ANCHORED BARRIER



PLAN

CONCRETE BARRIER CONNECTION TO BRIDGE TRAFFIC BARRIER



NOTE: THIS PLAN IS NOT A LEGAL ENGINEERING DOCUMENT UNLESS IT IS APPROVED FOR PUBLICATION BY THE ENGINEERING BOARD OF PASCO COUNTY. THE ENGINEER HAS REVIEWED AND APPROVED THIS PLAN ON FILE AT THE WASHINGTON STATE DEPARTMENT OF TRANSPORTATION. A COPY MAY BE OBTAINED UPON REQUEST.

**EMBANKMENT WIDENING
AT BRIDGE END
WITH CURTAIN WALL
STANDARD PLAN A-50.20-00**

SHEET 2 OF 2 SHEETS

APPROVED FOR PUBLICATION

Pasco Bakotich III 11-17-08
STATE DESIGN ENGINEER DATE

