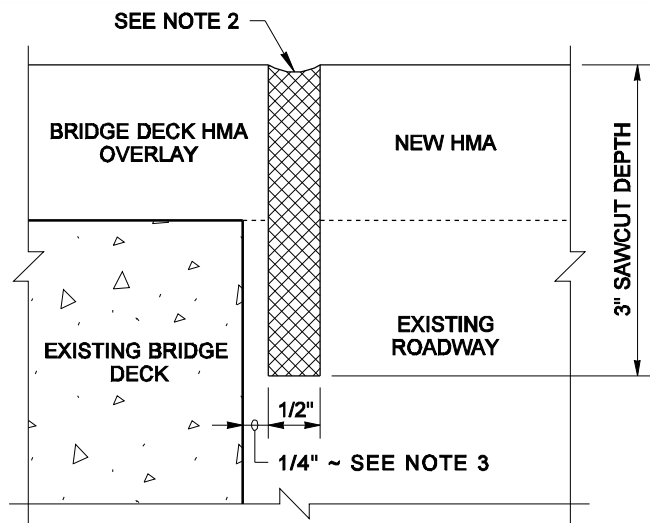
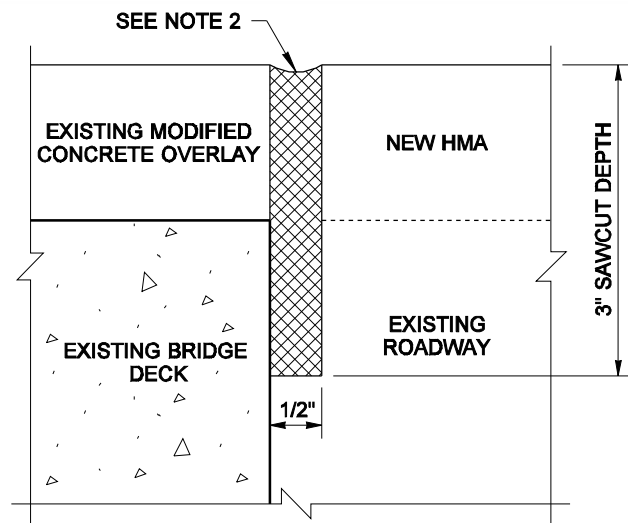


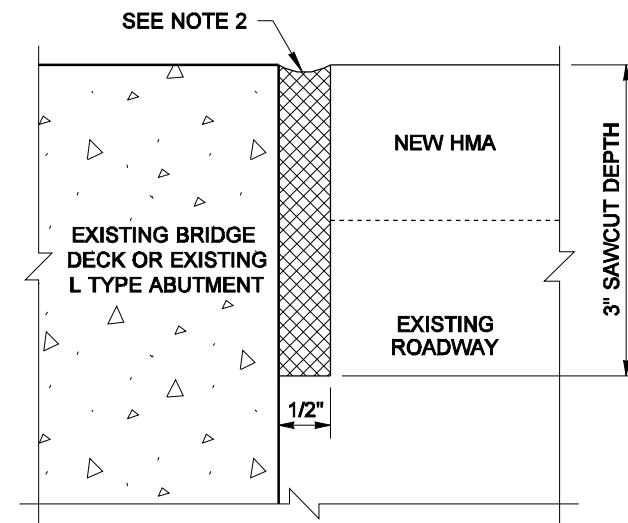
DRAWN BY: ELENA BRUNSTEIN



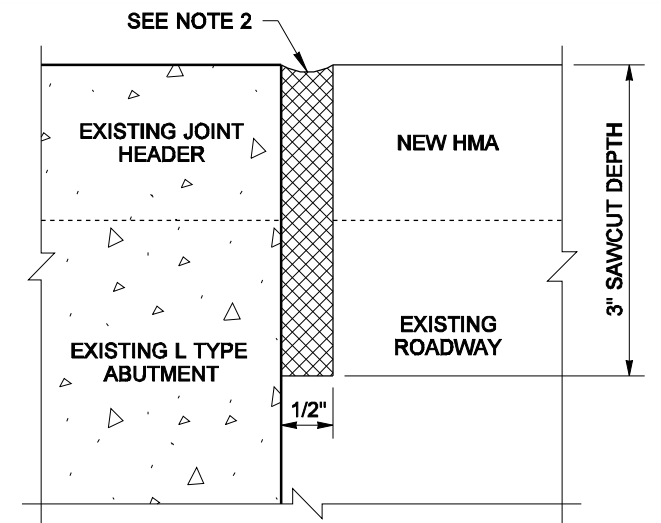
DETAIL 1
1/2" JOINT SEAL
BRIDGE DECK WITH HMA OVERLAY



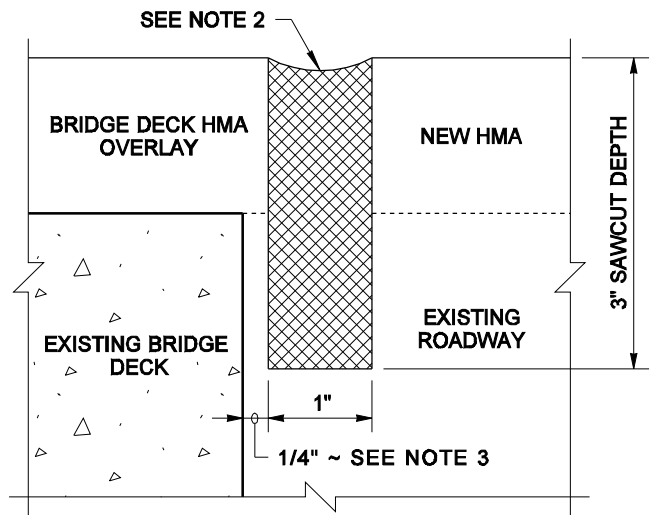
DETAIL 2
1/2" JOINT SEAL
BRIDGE DECK WITH CONCRETE OVERLAY



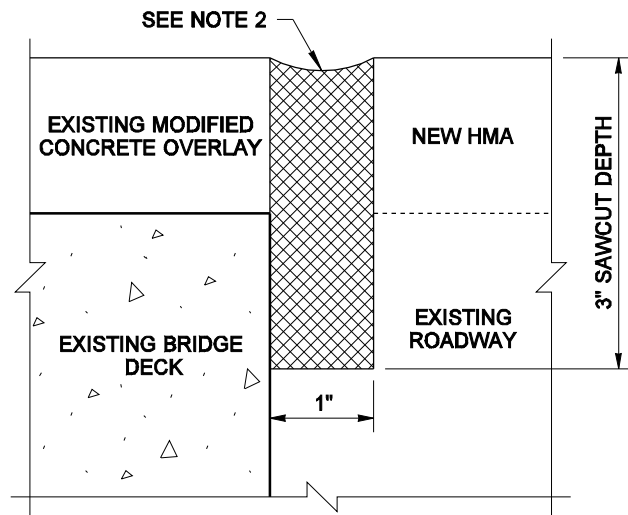
DETAIL 3
1/2" JOINT SEAL
BRIDGE DECK OR L TYPE ABUTMENT



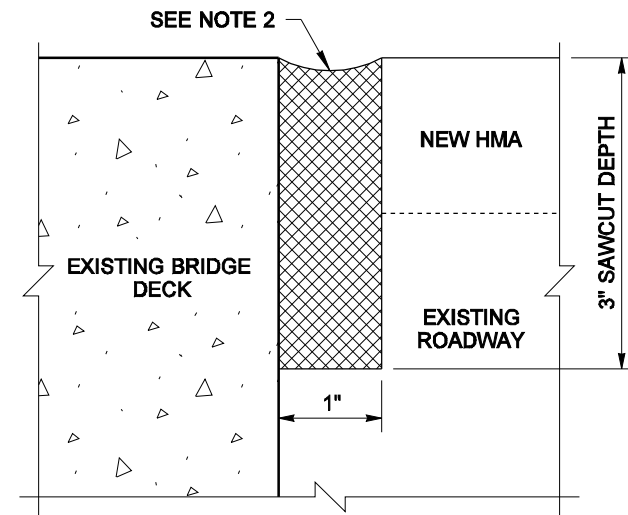
DETAIL 4
1/2" JOINT SEAL
L TYPE ABUTMENT WITH HEADER



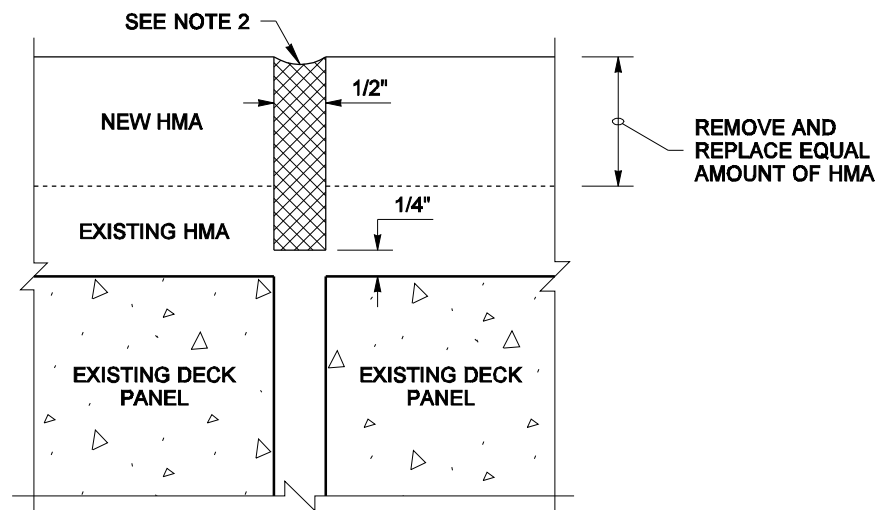
DETAIL 5
1" JOINT SEAL
BRIDGE DECK WITH HMA OVERLAY



DETAIL 6
1" JOINT SEAL
BRIDGE DECK WITH CONCRETE OVERLAY



DETAIL 7
1" JOINT SEAL
BRIDGE DECK



DETAIL 8
1/2" JOINT SEAL
BRIDGE DECK PANELS WITH HMA OVERLAY

NOTES

1. Use the 1/2" joint details for bridges with a length less than 100' and for bridges with L type abutments. Use the 1" joint details for other applications. Use DETAIL 8 on steel trusses and timber bridges with concrete deck panels.
2. Sawcut shall be filled with hot-poured compound in accordance with Standard Specification 9-04.2(1) and sealed in accordance with Standard Specification 5-05.3(8)B.
3. The contractor shall avoid sawing existing concrete. The construction tolerance to locate the saw cut is $\pm 1/4"$ (0 min. to 1/2" max.) from the existing concrete (DETAILS 1 and 5).



EXPIRES AUGUST 23, 2008

NOTE: THIS PLAN IS NOT A LEGAL ENGINEERING DOCUMENT BUT AN ELECTRONIC DUPLICATE. THE ORIGINAL, SIGNED BY THE ENGINEER AND APPROVED FOR PUBLICATION, IS KEPT ON FILE AT THE WASHINGTON STATE DEPARTMENT OF TRANSPORTATION. A COPY MAY BE OBTAINED UPON REQUEST.

BRIDGE TRANSVERSE JOINT SEALS FOR HMA

STANDARD PLAN A-40.20-00

SHEET 1 OF 1 SHEET

APPROVED FOR PUBLICATION

Pasco Bakotich III 09-20-07

STATE DESIGN ENGINEER DATE

