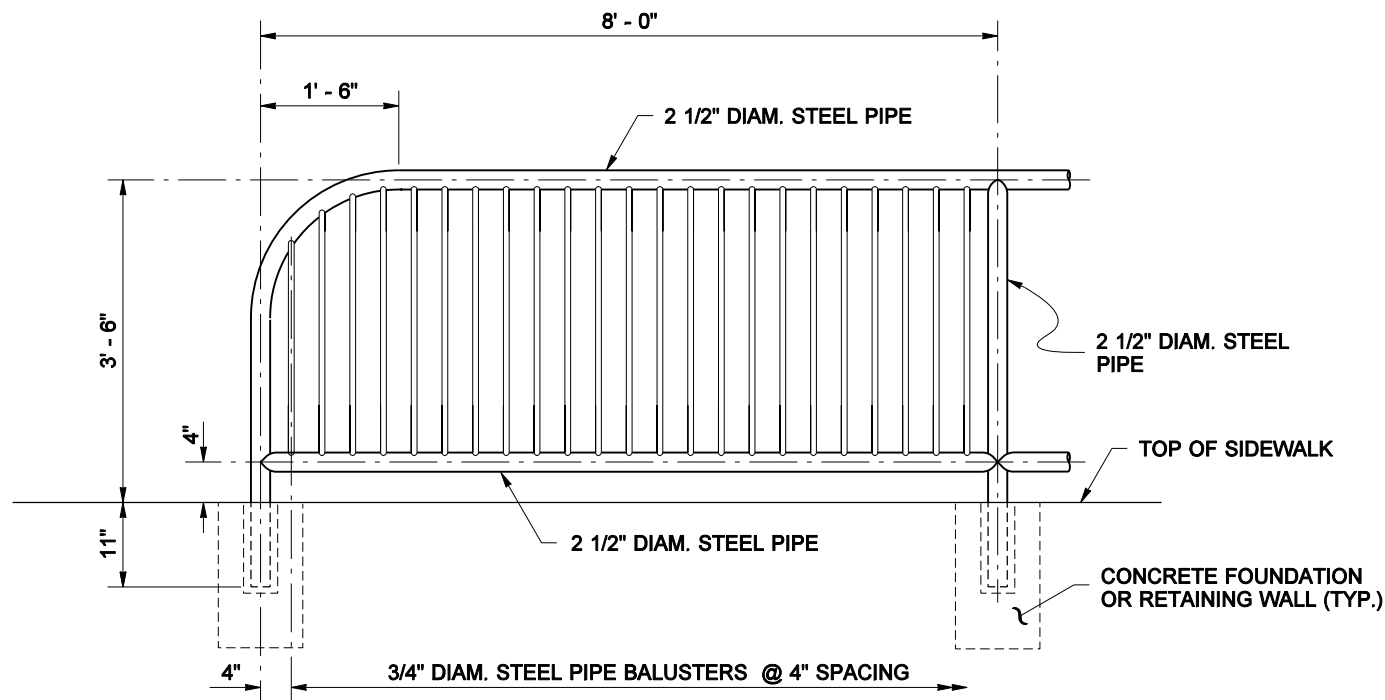
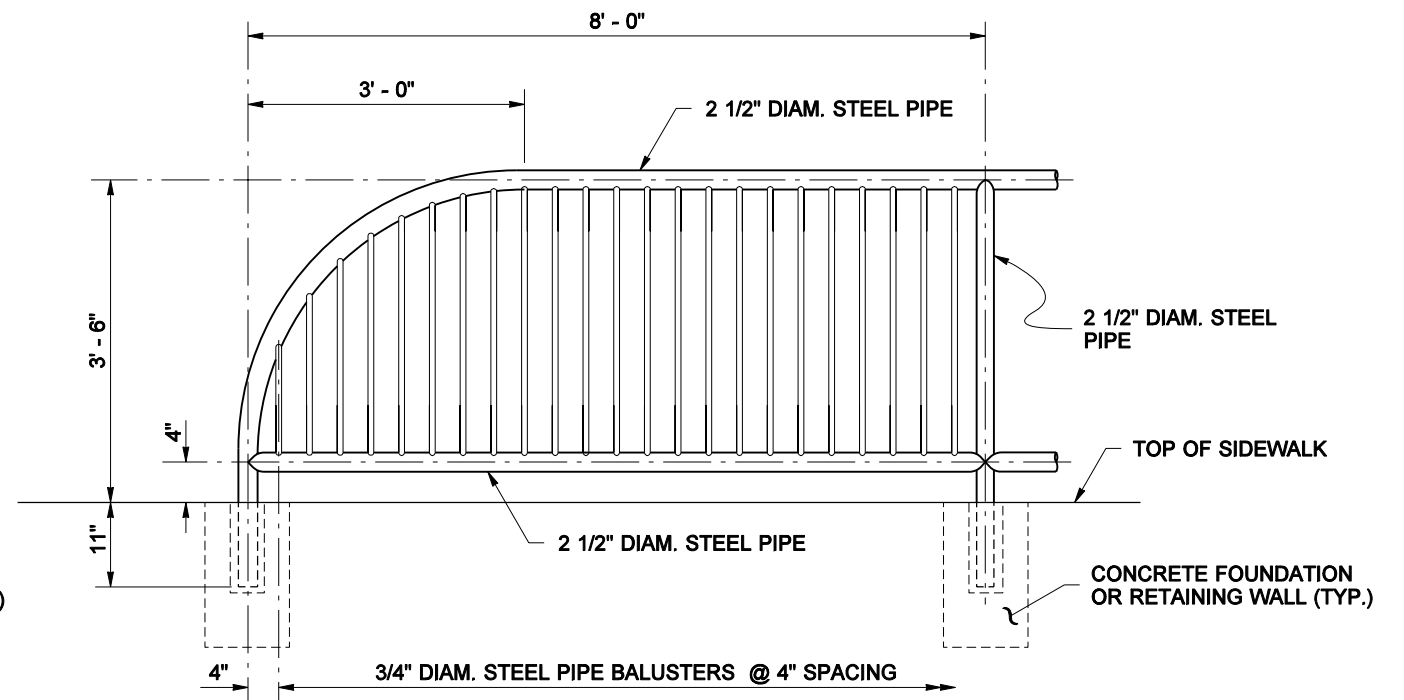


**ELEVATION ~ LEADING END SECTION  
(TYPE 1 END SHOWN)**



**ELEVATION  
(TYPE 2 END SHOWN)**

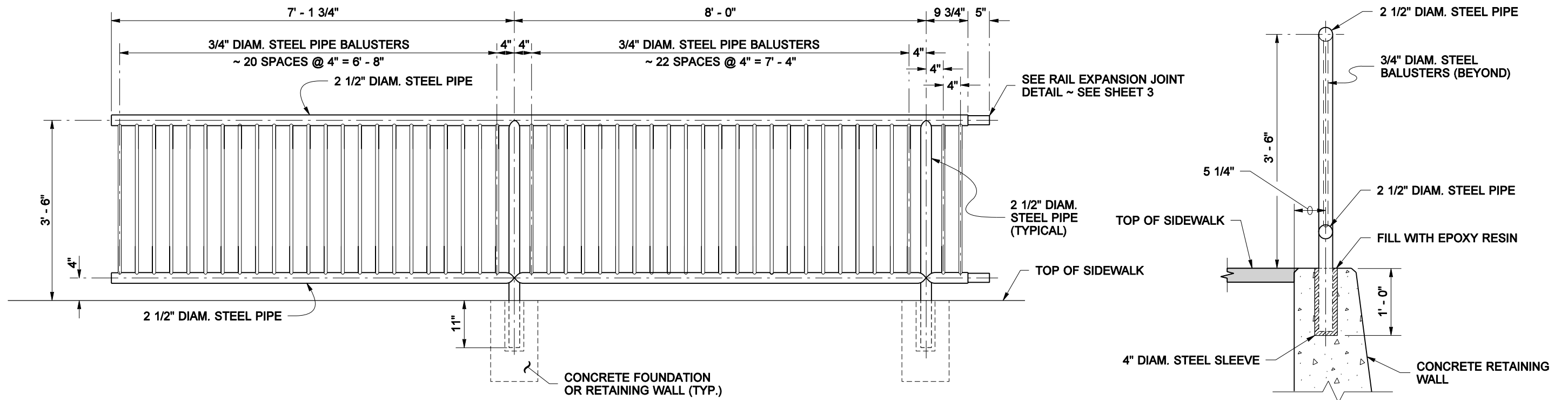


**ELEVATION  
(TYPE 3 END SHOWN)**

FILE NAME	S:\Design R P& S\4-Standards\2-Plan Sheet Library\07-Fence & Screen (FS)\FS-3\Pedestrian Railing\NFS-3.dgn				REGION NO.	STATE	FED. AID PROJ. NO.	PLOT1
TIME	9:54:30 AM				10	WASH	FS-3	
DATE	10/6/2008				JOB NUMBER			SHEET 1 OF 3 SHEETS
PLOTTED BY	liddelf				CONTRACT NO.	LOCATION NO.		
DESIGNED BY								STEEL PEDESTRIAN RAILING 1
ENTERED BY								
CHECKED BY								
PROJ. ENGR.								
REGIONAL ADM.	REVISION	DATE	BY					

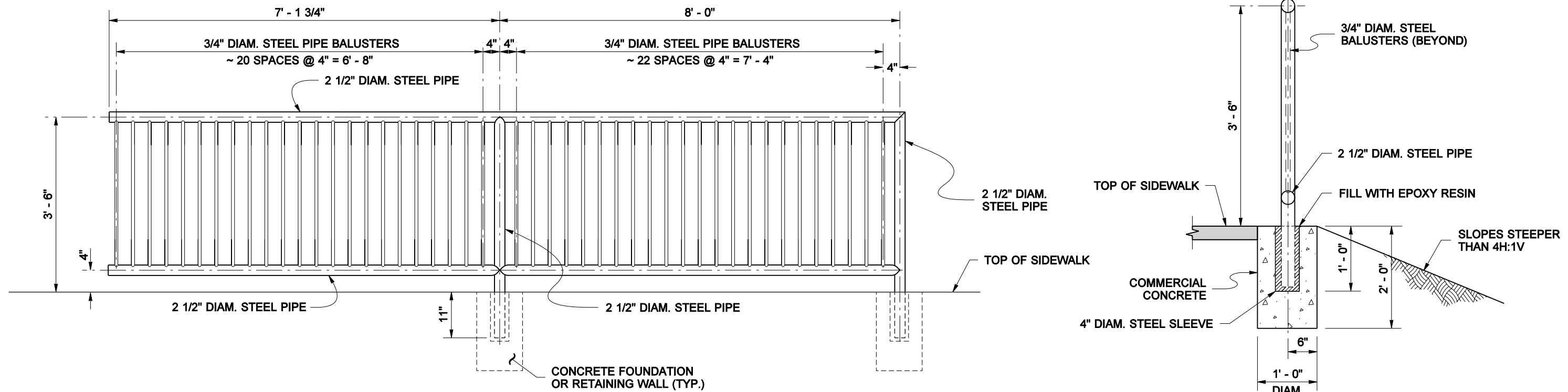


P.E. STAMP BOX DATE




**ELEVATION ~ INTERMEDIATE SECTION  
(FOR ALL TYPES)**

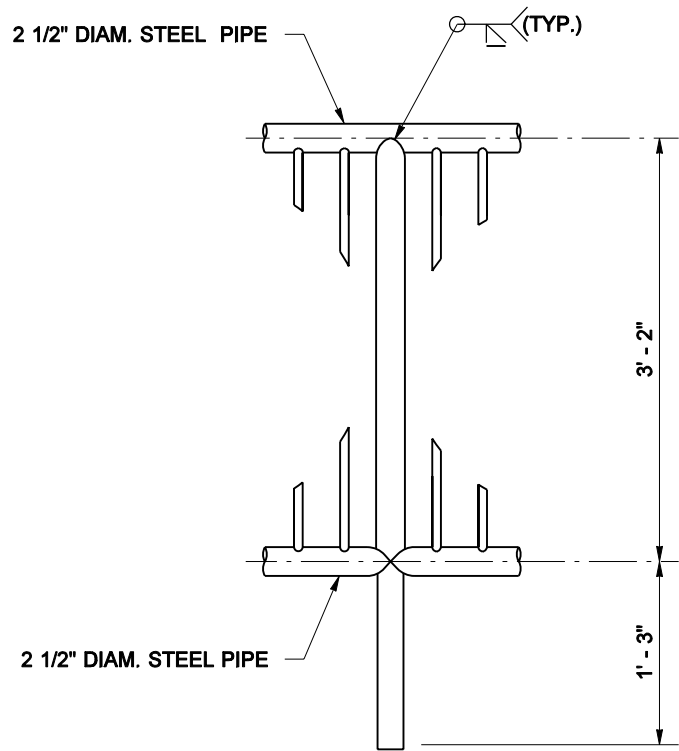
**TYPICAL SECTION  
(ON RETAINING WALL)**



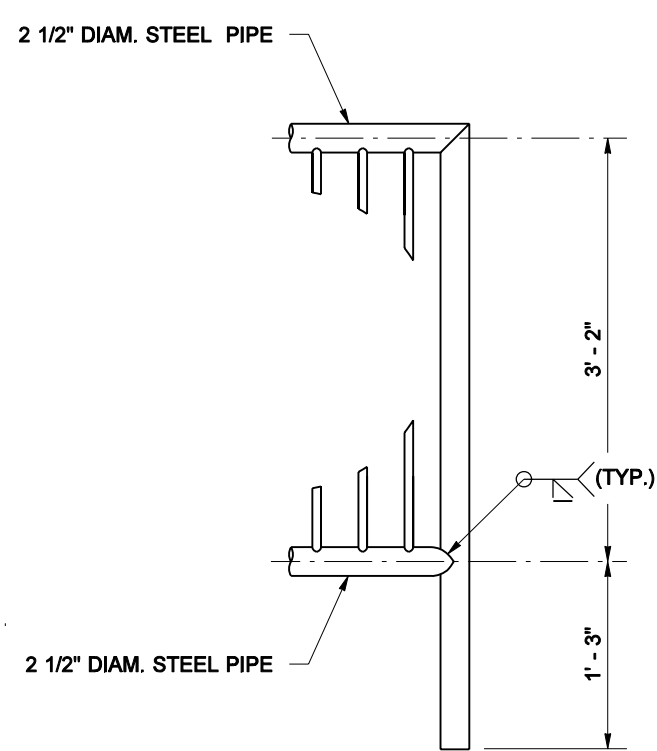
**ELEVATION ~ TRAILING END SECTION  
(TYPE 1 END SHOWN)**

**TYPICAL SECTION  
(ON EMBANKMENT)**

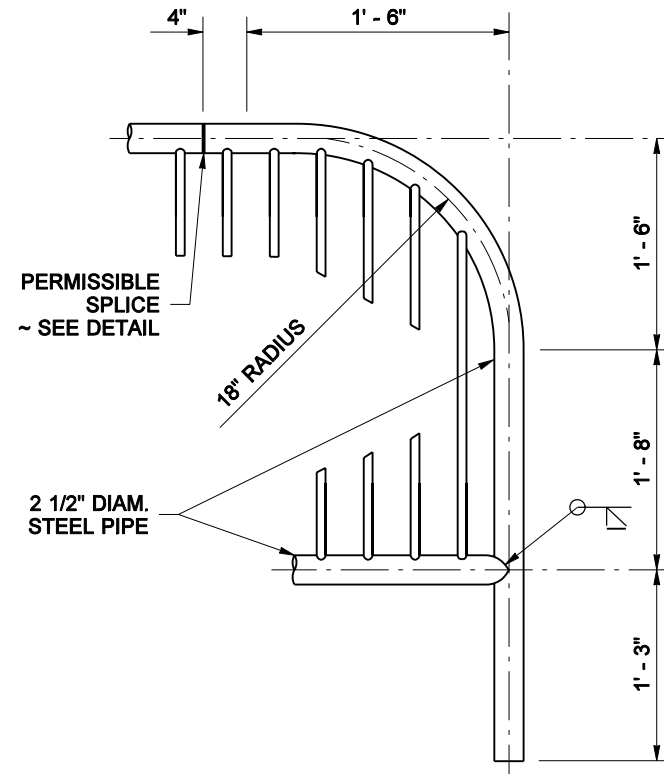
FILE NAME S:\Design R P& S\4-Standards\2-Plan Sheet Library\07-Fence & Screen (FS)\FS-3(Pedestrian Railing)\FS-3.dgn				REGION NO.	STATE	FED. AID PROJ. NO.		<b>FS-3</b>
TIME	8:23:03 AM		10	WASH		<b>SHEET 2 OF 3 SHEETS</b>		
DATE	10/22/2008		JOB NUMBER				<b>STEEL PEDESTRIAN RAILING 2</b>	
PLOTTED BY	liddlef		CONTRACT NO.		LOCATION NO.			
DESIGNED BY								
ENTERED BY								
CHECKED BY								
PROJ. ENGR.								
REGIONAL ADM.								
REVISION		DATE	BY					



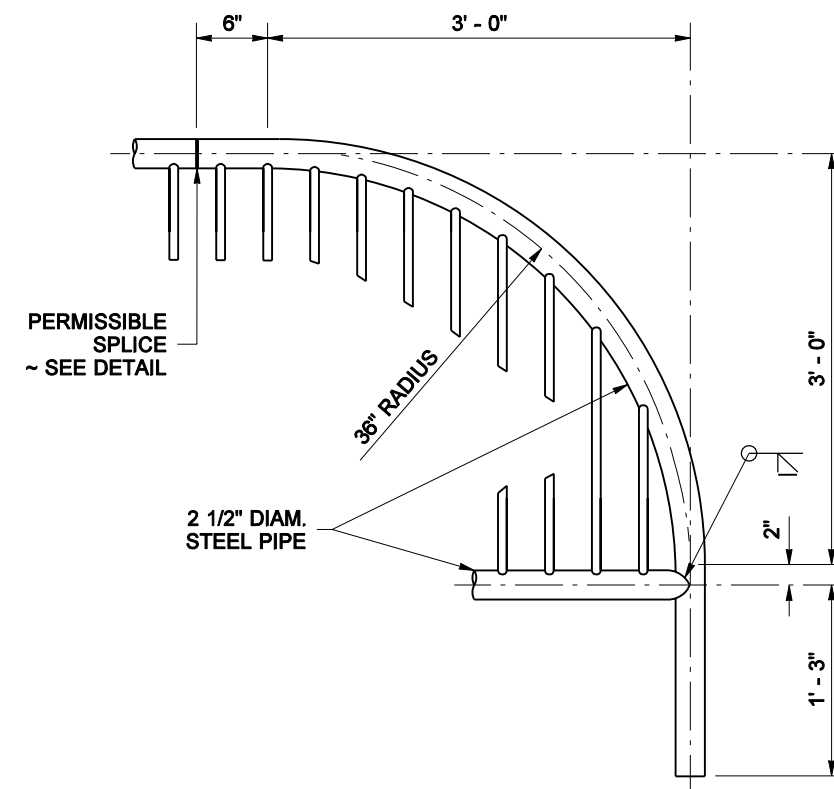
INTERMEDIATE POST



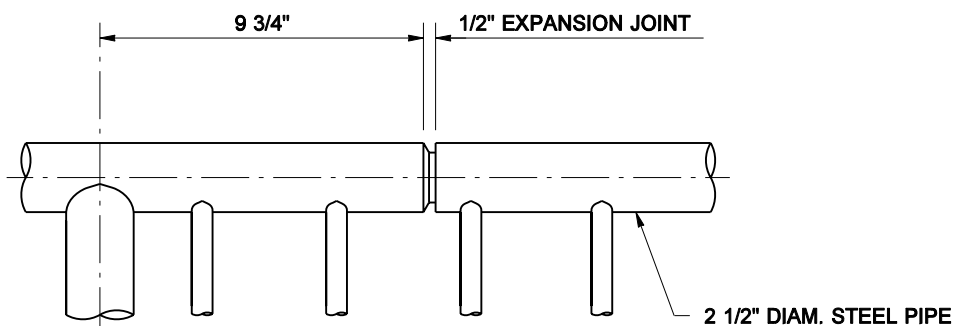
TYPE 1 END



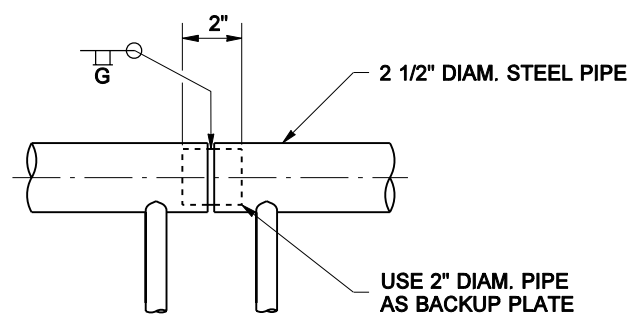
TYPE 2 END



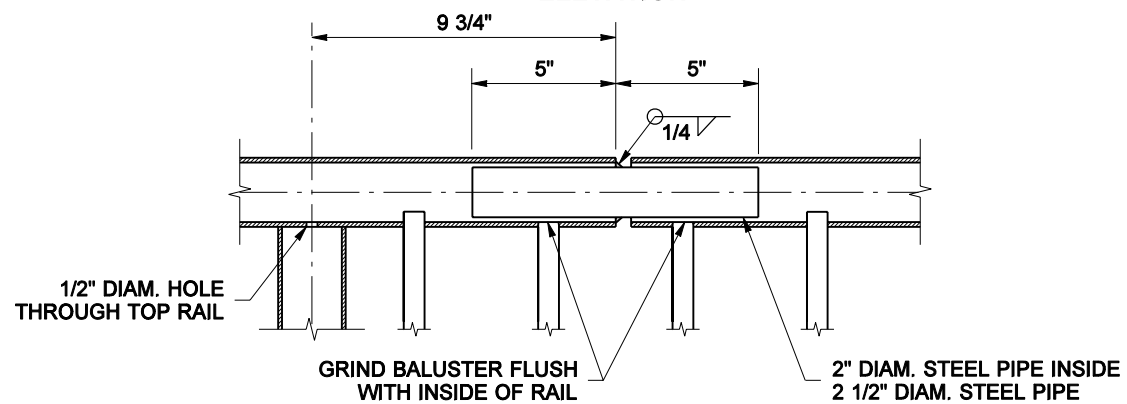
TYPE 3 END



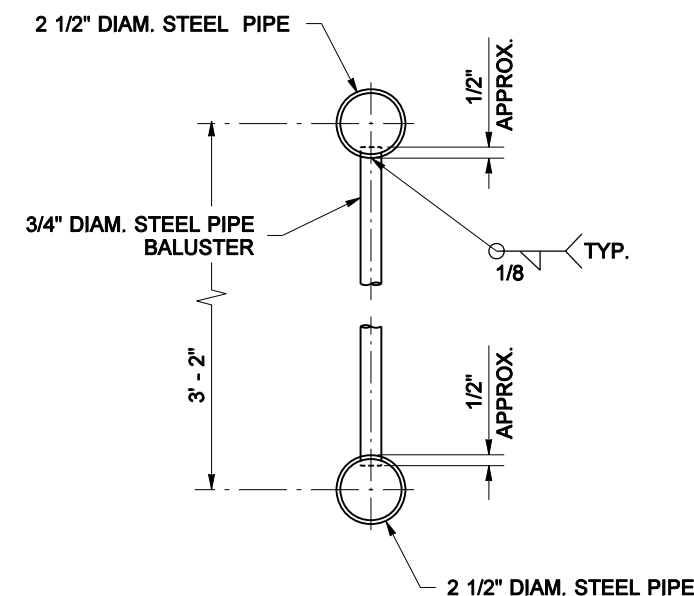
ELEVATION



PERMISSIBLE SPLICE DETAIL



SECTION  
RAIL EXPANSION JOINT DETAIL



TYPICAL SECTION

FILE NAME	S:\Design R P& S\4-Standards\2-Plan Sheet Library\07-Fence & Screen (FS)\FS-3\Pedestrian Railing\NFS-3.dgn			REGION NO.	STATE	FED. AID PROJ. NO.
TIME	10:03:07 AM			10	WASH	
DATE	10/6/2008			JOB NUMBER		
PLOTTED BY	liddelf			CONTRACT NO.		LOCATION NO.
DESIGNED BY						
ENTERED BY						
CHECKED BY						
PROJ. ENGR.						
REGIONAL ADM.	REVISION	DATE	BY			

DATE P.E. STAMP BOX DATE P.E. STAMP BOX



STEEL PEDESTRIAN RAILING 3

PLOT3  
FS-3  
SHEET 3 OF 3 SHEETS