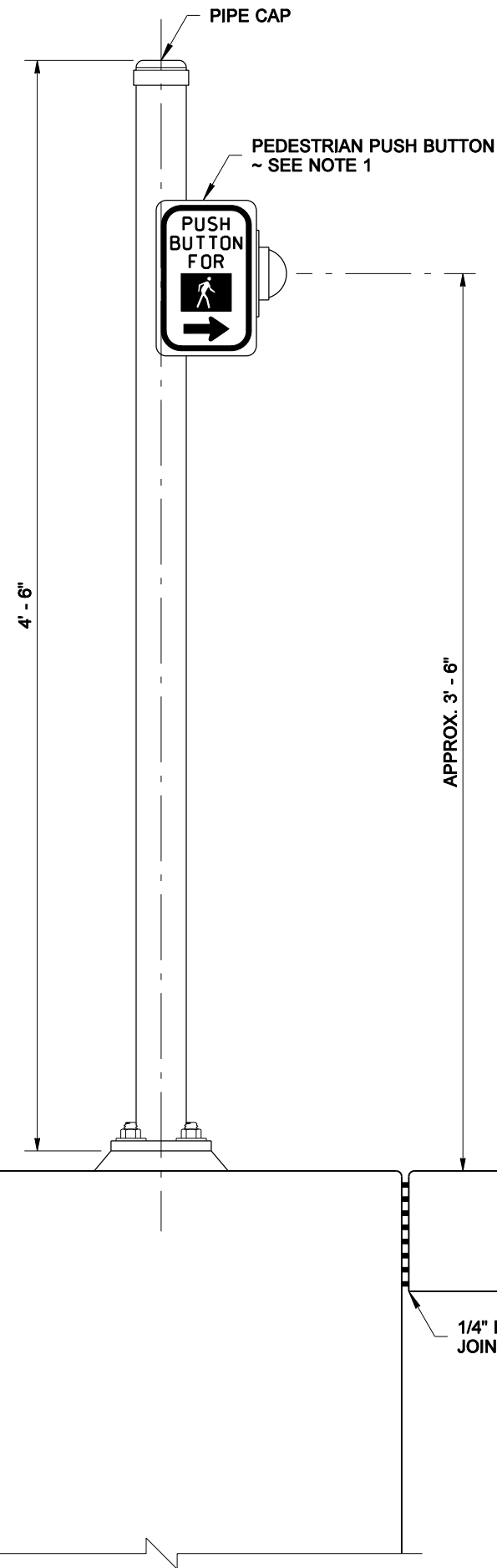
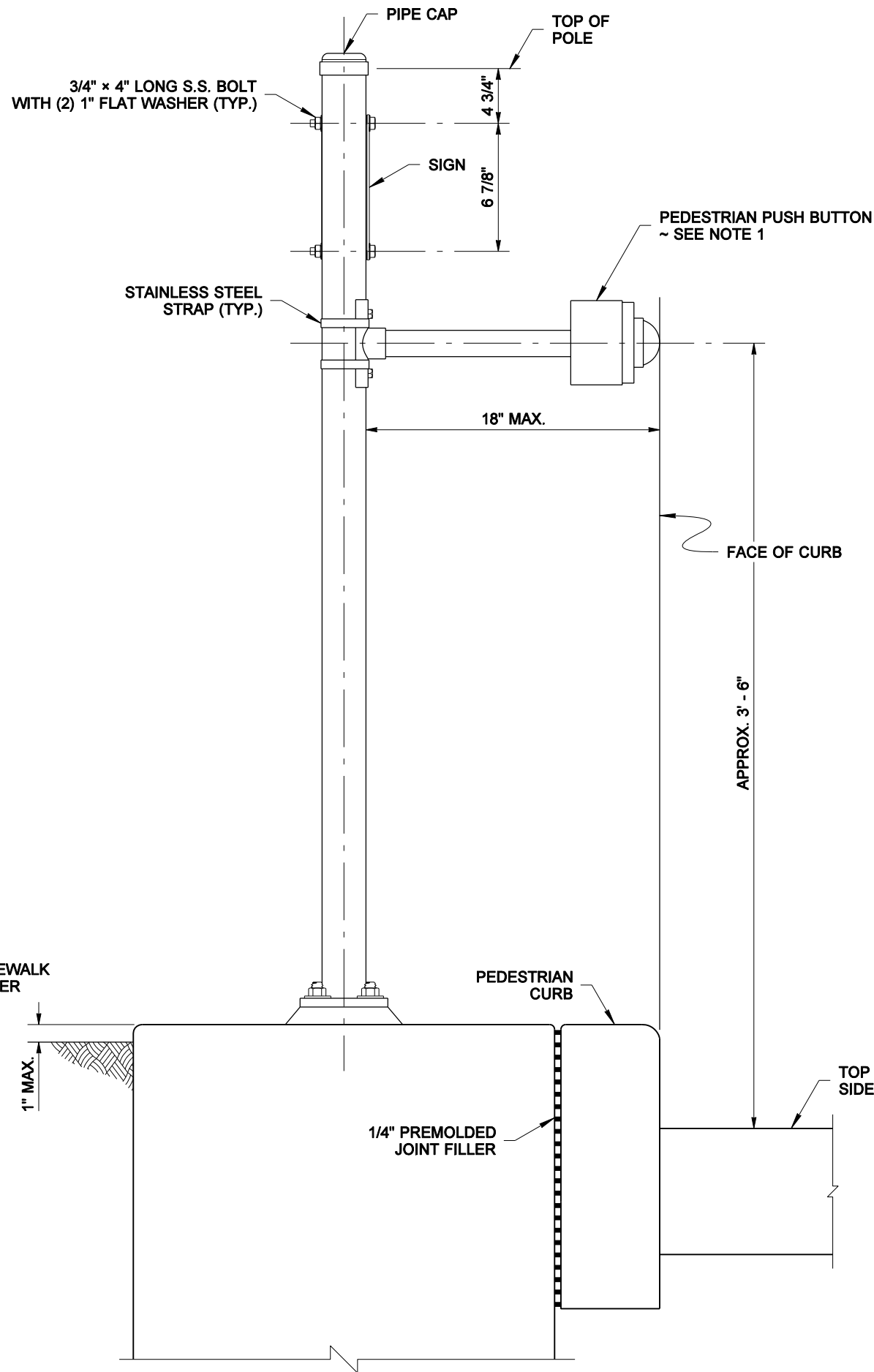


DRAWN BY: LISA CYFORD



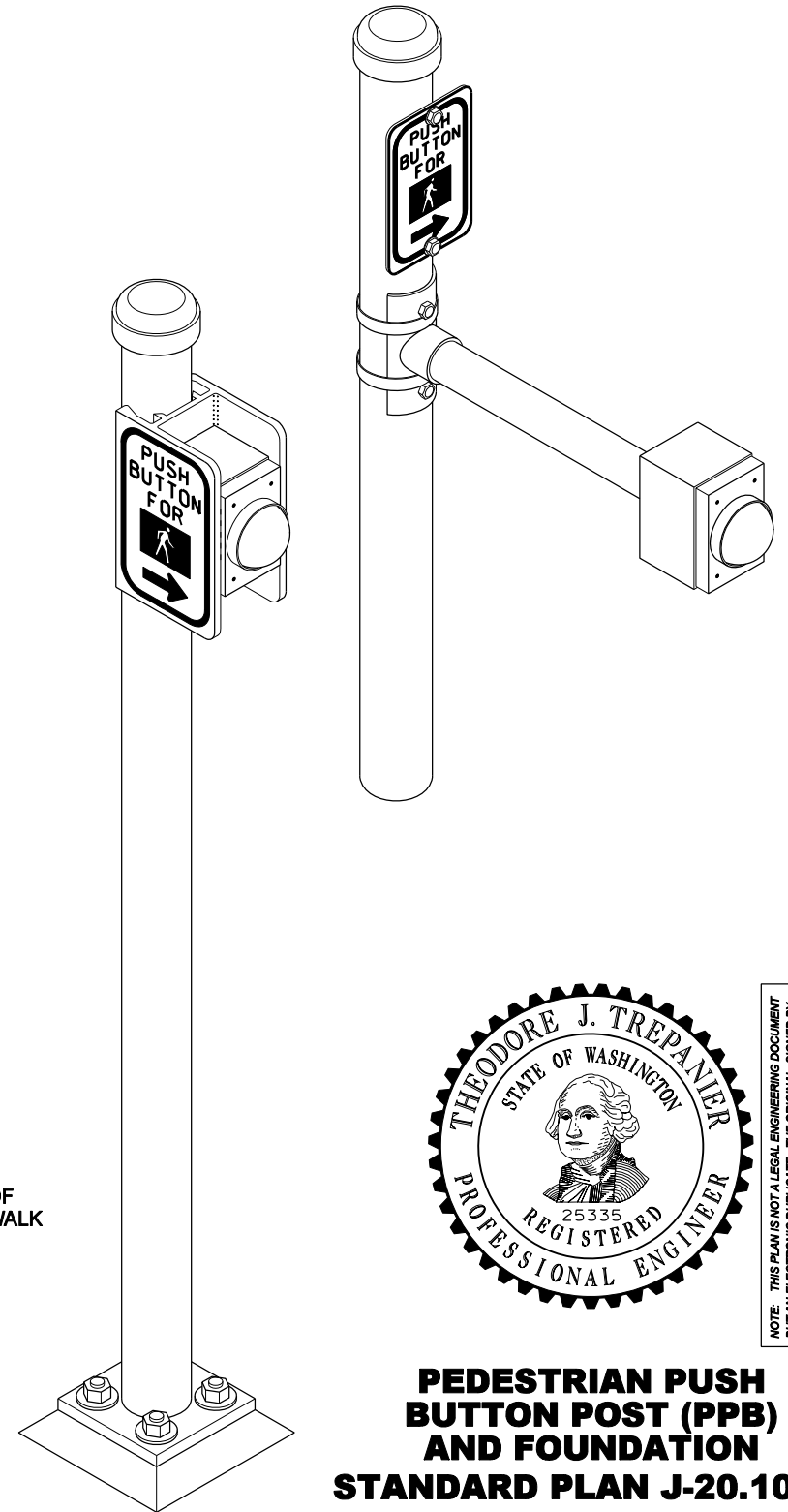
ELEVATION WITHOUT LANDING



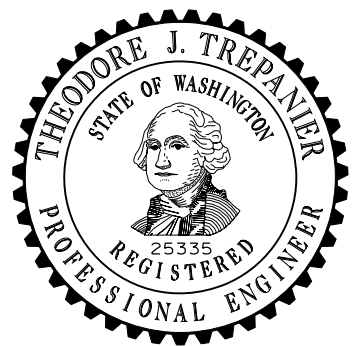
ELEVATION WITH LANDING

NOTES

1. See Standard Plan J-20.26 for Pedestrian Push Button details.



ISOMETRIC VIEW PEDESTRIAN PUSH BUTTON POST



NOTE: THIS PLAN IS NOT A LEGAL ENGINEERING DOCUMENT UNLESS IT IS APPROVED AND SIGNED BY THE ENGINEER AND APPROVED FOR PUBLICATION. THIS PLAN IS FILED AT THE WASHINGTON STATE DEPARTMENT OF TRANSPORTATION. A COPY MAY BE OBTAINED UPON REQUEST.

PEDESTRIAN PUSH BUTTON POST (PPB) AND FOUNDATION
STANDARD PLAN J-20.10-00

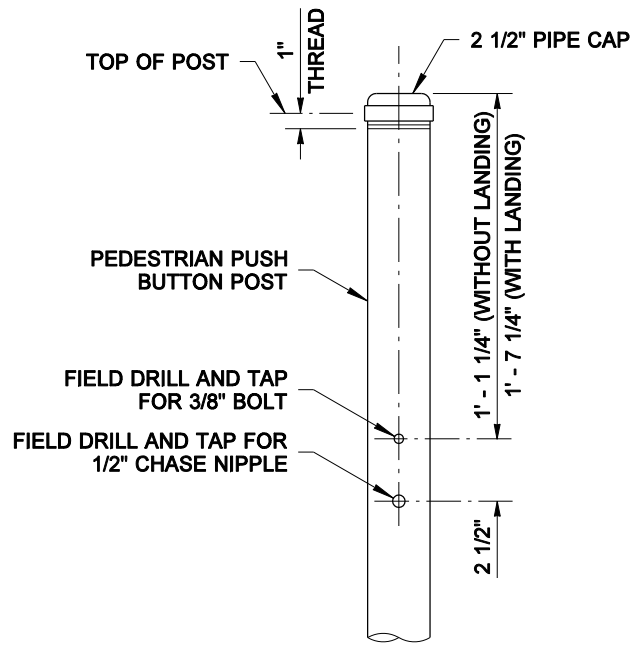
SHEET 1 OF 2 SHEETS

APPROVED FOR PUBLICATION

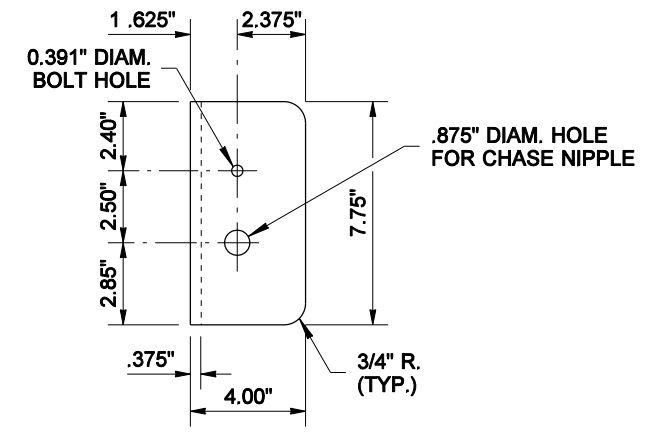
Pasco Bakotich III 10-14-09
 STATE DESIGN ENGINEER DATE



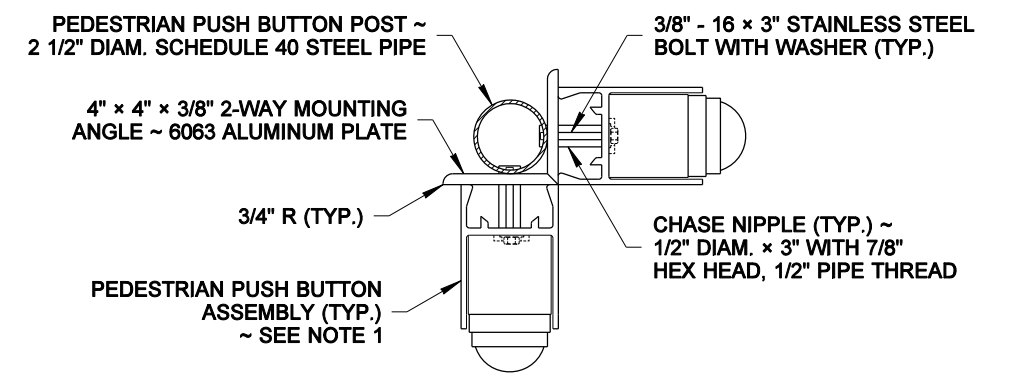
DRAWN BY: LISA CYFORD



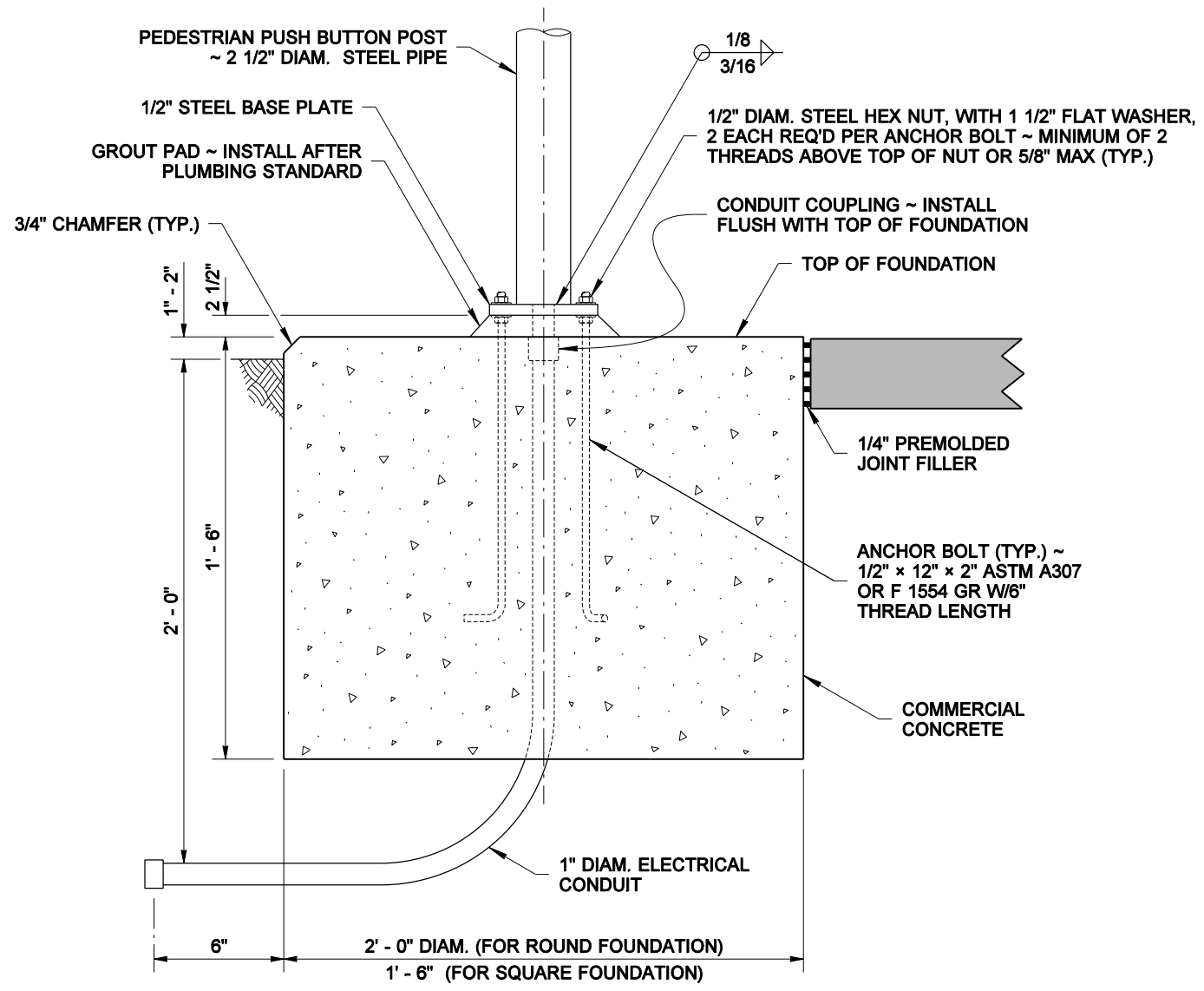
POST DETAIL



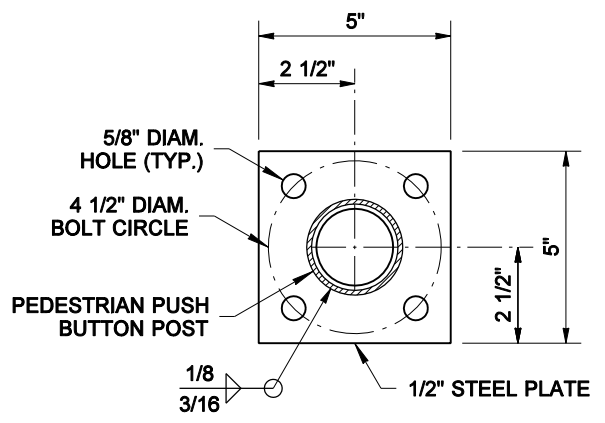
2-WAY MOUNTING ANGLE DETAIL
MIRROR IMAGE FOR RIGHT SIDE
.375" THICK, 6063 ALUMINUM PLATE



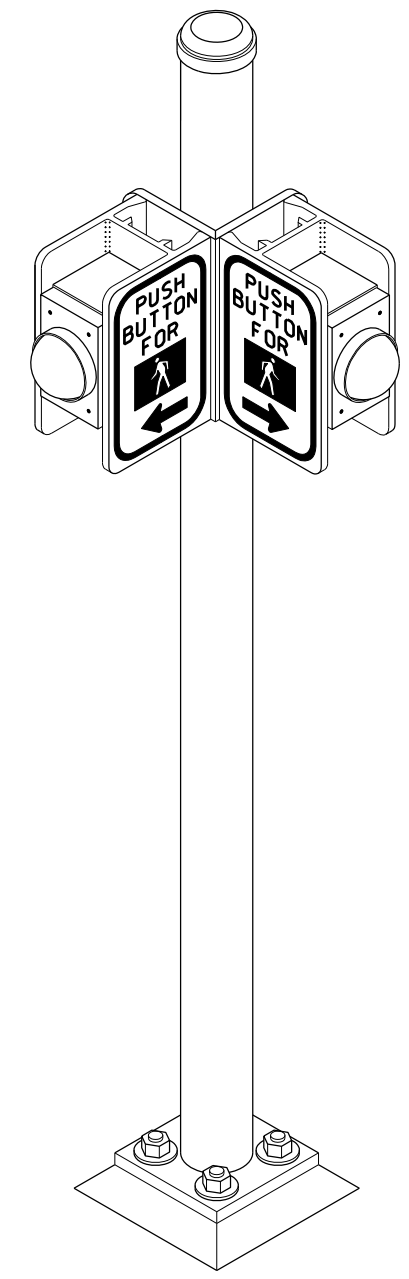
2-WAY PEDESTRIAN
PUSH BUTTON DETAIL



FOUNDATION DETAIL



BASE PLATE DETAIL



ISOMETRIC VIEW
OPTIONAL 2-WAY PEDESTRIAN
PUSH BUTTON POST



NOTE: THIS PLAN IS NOT A LEGAL ENGINEERING DOCUMENT UNLESS IT IS APPROVED FOR PUBLICATION BY THE ENGINEER AND APPROVED FOR ORIGINATOR'S SIGNATURE AND SEAL. THIS PLAN IS NOT TO BE REPRODUCED OR FILED AT THE WASHINGTON STATE DEPARTMENT OF TRANSPORTATION. A COPY MAY BE OBTAINED UPON REQUEST.

**PEDESTRIAN PUSH
BUTTON POST (PPB)
AND FOUNDATION**
STANDARD PLAN J-20.10-00

SHEET 2 OF 2 SHEETS

APPROVED FOR PUBLICATION

Pasco Bakotich III 10-14-09
STATE DESIGN ENGINEER DATE

