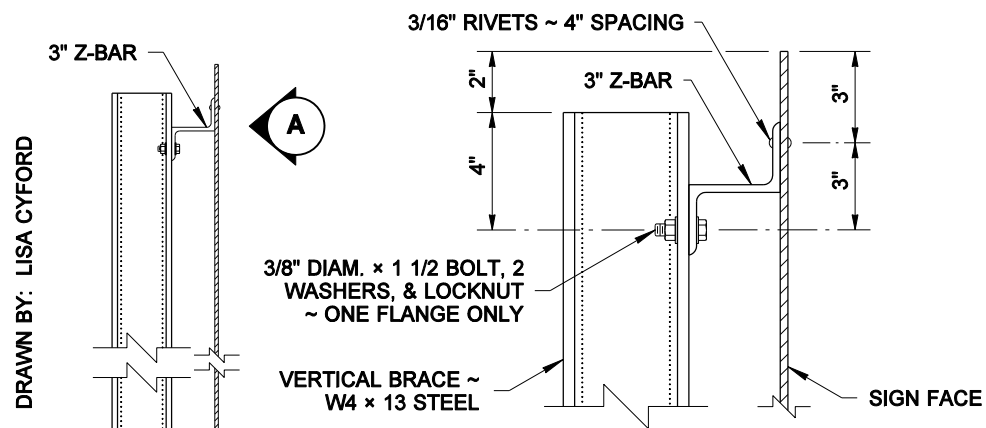
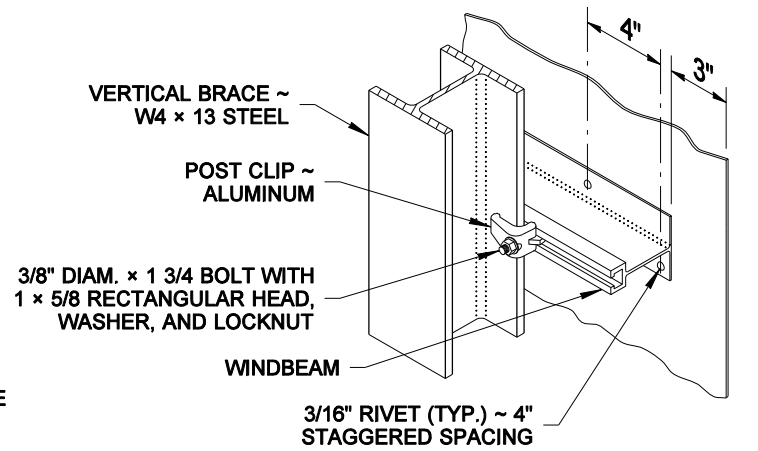


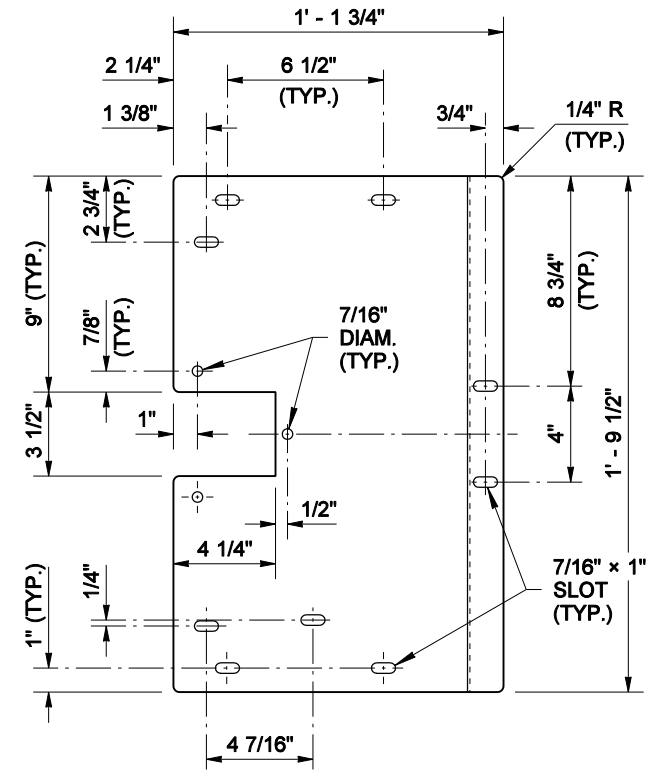
DRAWN BY: LISA CYFORD



DETAIL A



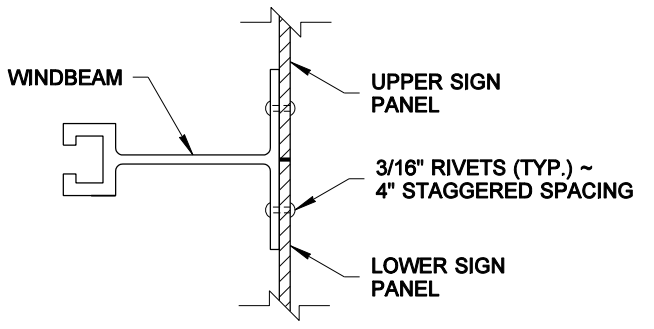
WINDBEAM CONNECTION DETAIL



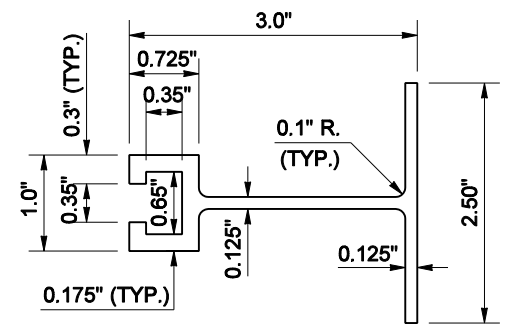
LUMINAIRE MOUNTING PLATE
10 GAGE GALV. STEEL PLATE ~ ITEM AVAILABLE FROM LUMINAIRE MANUFACTURER

NOTES

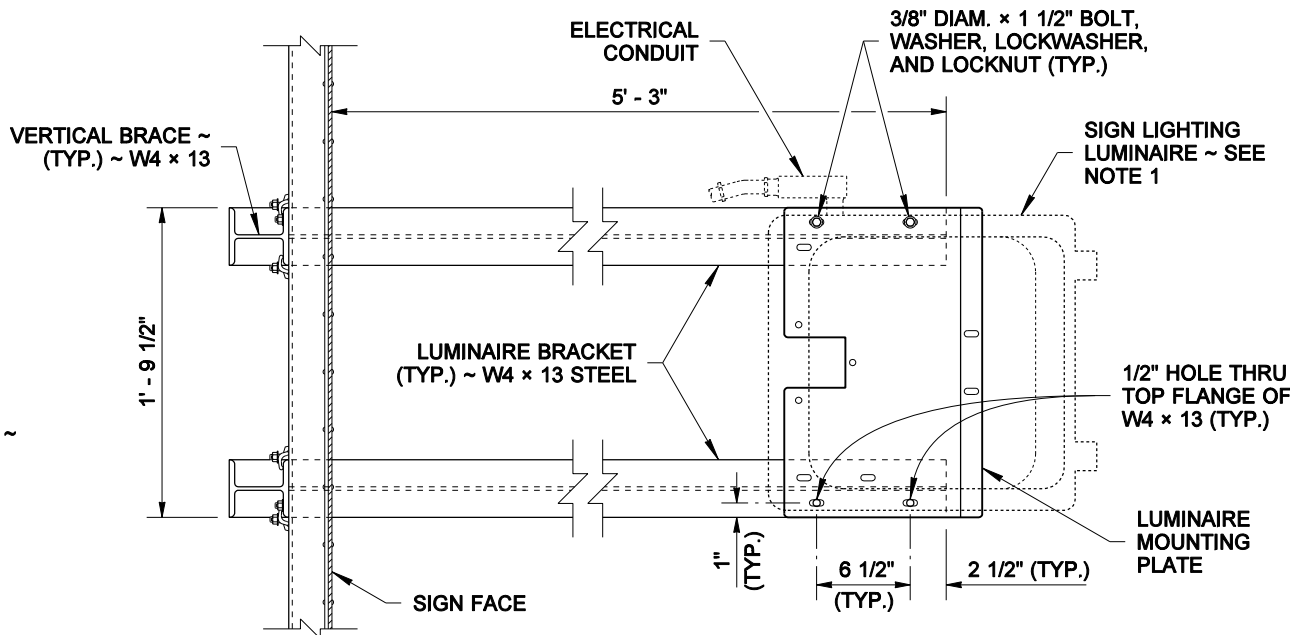
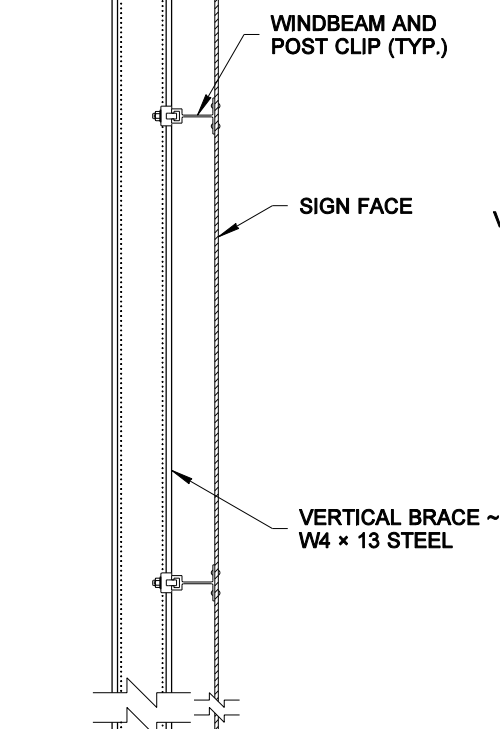
1. Sign Lighting Luminaire shall include a 3/4" threaded side entry, a gasketed front entry, a door prop, and 4 mounting holes. Refer to **Standard Spec. 8-20.3(13)** for additional requirements.
2. See **Standard Plan J-75.40** and **J-75.45** for Sign Light Luminaire Electrical Details.



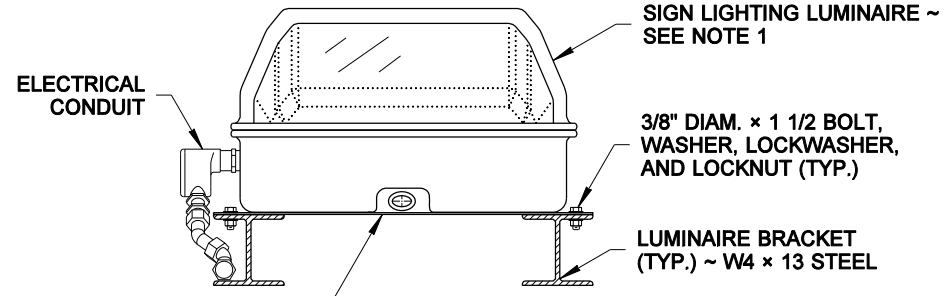
HORIZONTAL SIGN PANEL SPLICE



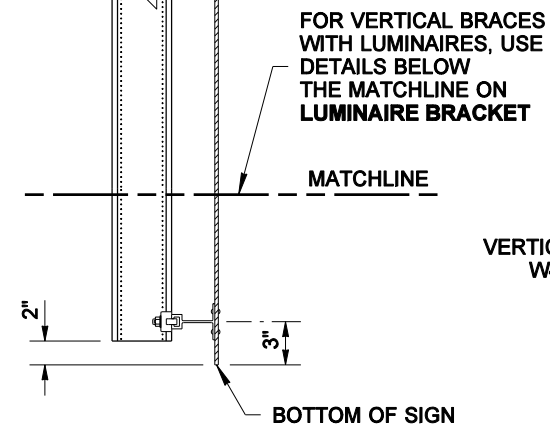
WINDBEAM DETAIL



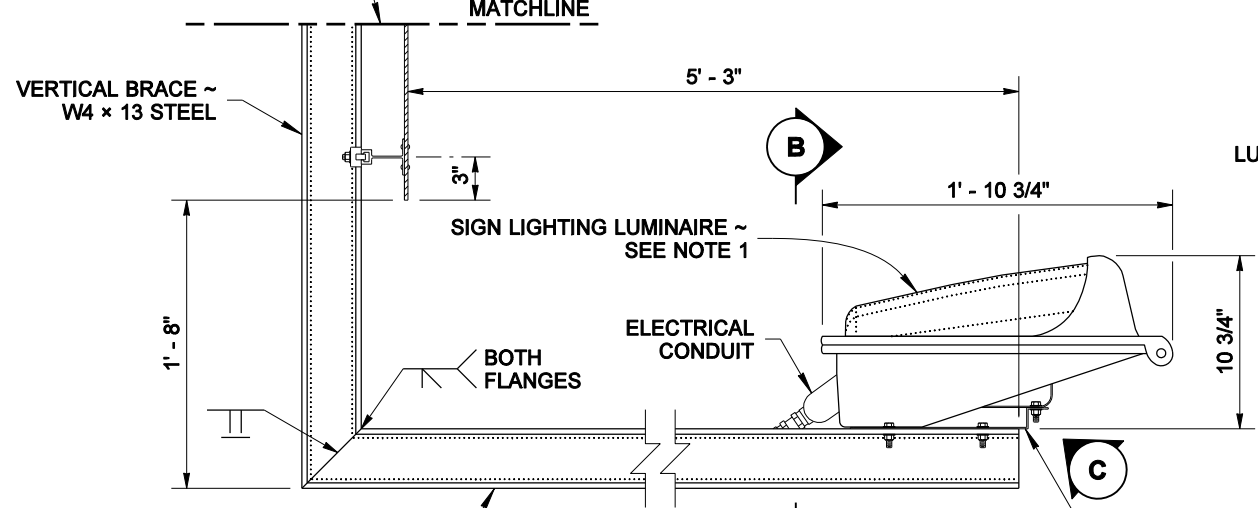
TOP VIEW LUMINAIRE BRACKET



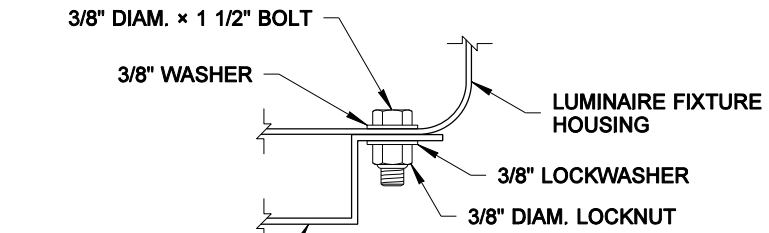
VIEW B



USE DETAILS ABOVE THE MATCHLINE ON VERTICAL BRACE



SIDE VIEW LUMINAIRE BRACKET



DETAIL C



NOTE: THIS PLAN IS NOT A LEGAL ENGINEERING DOCUMENT UNTIL IT IS APPROVED BY THE ENGINEER AND APPROVED BY THE BOARD OF TRANSPORTATION. A COPY MAY BE OBTAINED UPON REQUEST.

OVERHEAD SIGN LIGHTING DETAILS
STANDARD PLAN G-90.40-01
SHEET 1 OF 1 SHEET

APPROVED FOR PUBLICATION
Pasco Bakotich III 10-14-09
STATE DESIGN ENGINEER DATE
Washington State Department of Transportation