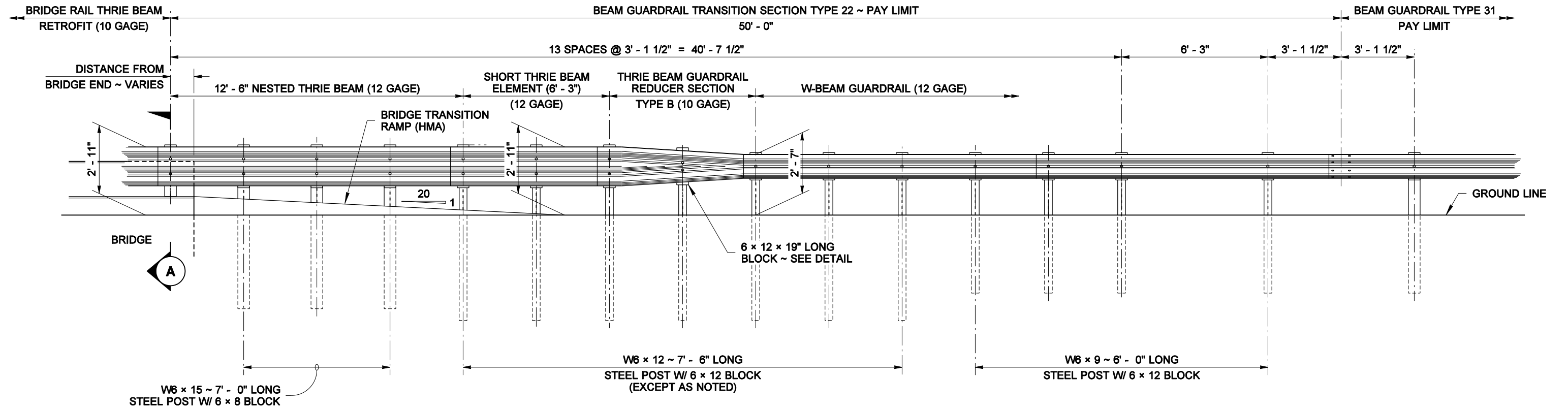
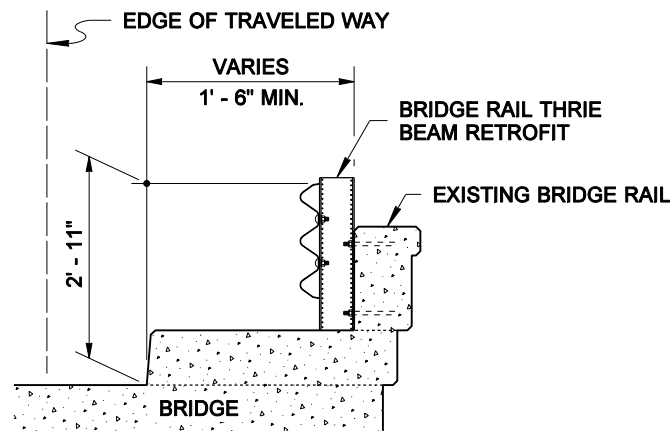


NOTES

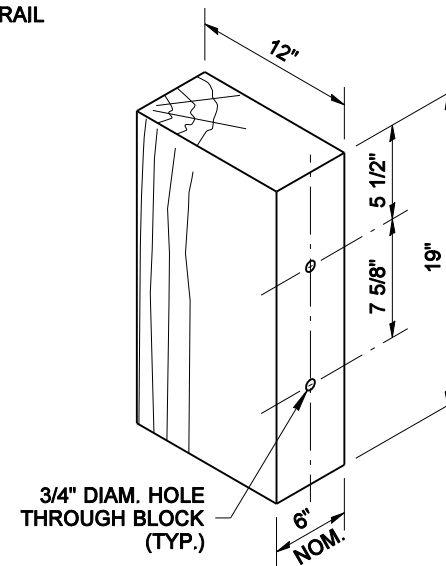
1. See **Standard Plans C-1b, C-1d, C-25.20 and C-28.40** for rail elements and thrie beam block details.
2. When a transition is required on the trailing end of the bridge, use a mirror image of this plan.



TYPE 22
APPROACH END (SHOWN - SEE NOTE 2)
 THRIE BEAM INSTALLED AT FACE OF BRIDGE RAIL



SECTION **A**



THRIE BEAM REDUCER WOOD BLOCK



NOTE: THIS PLAN IS NOT A LEGAL ENGINEERING DOCUMENT UNTIL IT IS APPROVED AND SEALED BY THE ENGINEER. THE ENGINEER'S APPROVAL IS REQUIRED TO BE FILED AT THE WASHINGTON STATE DEPARTMENT OF TRANSPORTATION. A COPY MAY BE OBTAINED UPON REQUEST.

BEAM GUARDRAIL (TYPE 31) TRANSITION SECTION TYPE 22
STANDARD PLAN C-25.22-03

SHEET 1 OF 1 SHEET

APPROVED FOR PUBLICATION

Pasco Bakotich III **10-14-09**
 STATE DESIGN ENGINEER DATE

