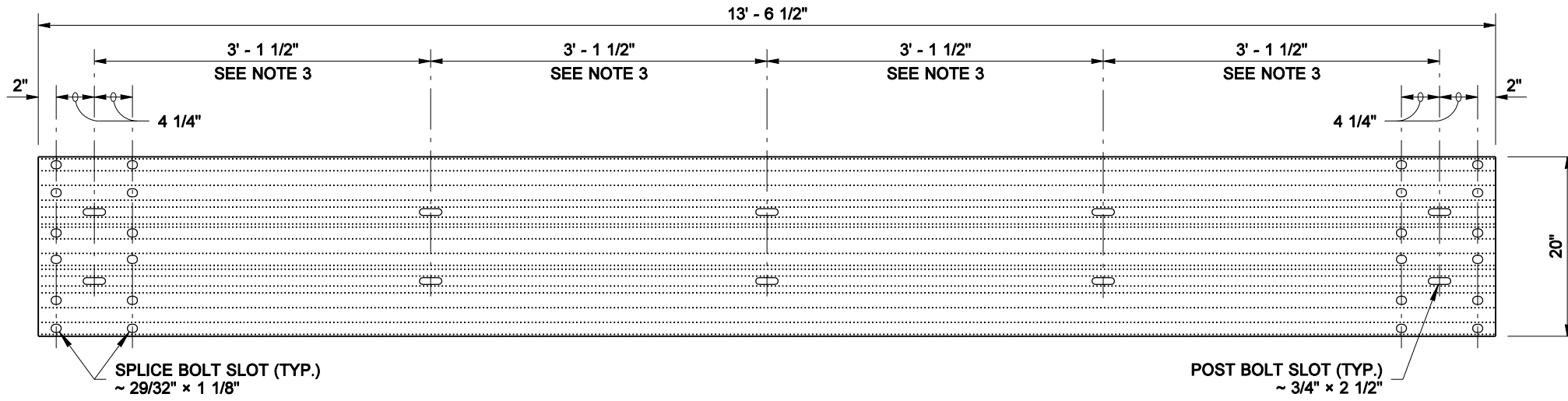
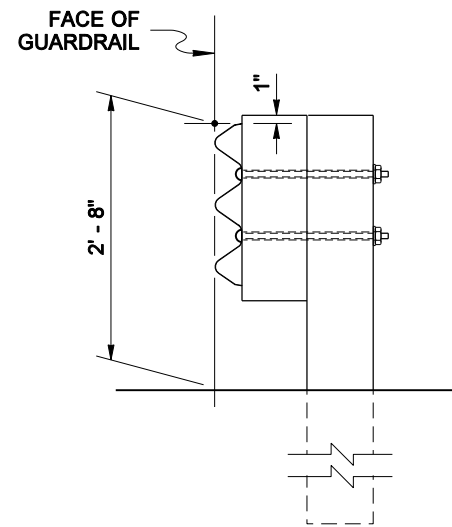


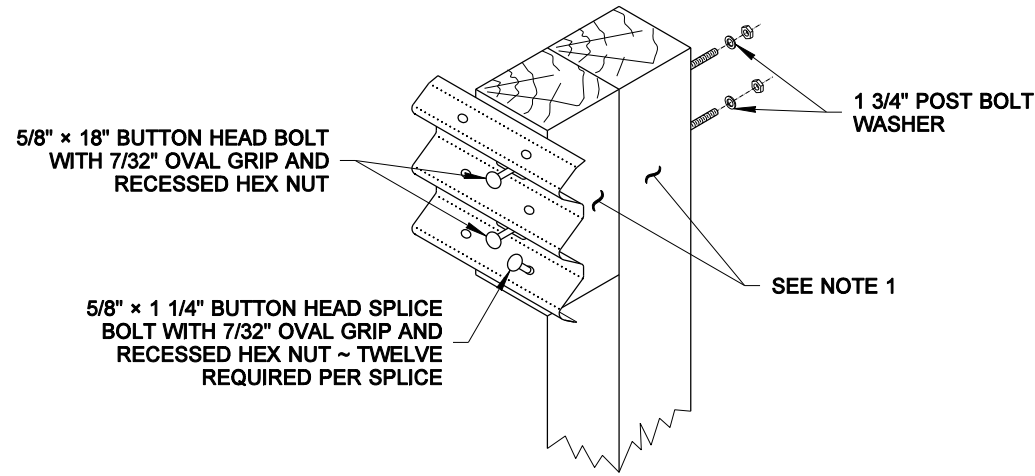
DRAWN BY: BILL BERENDS



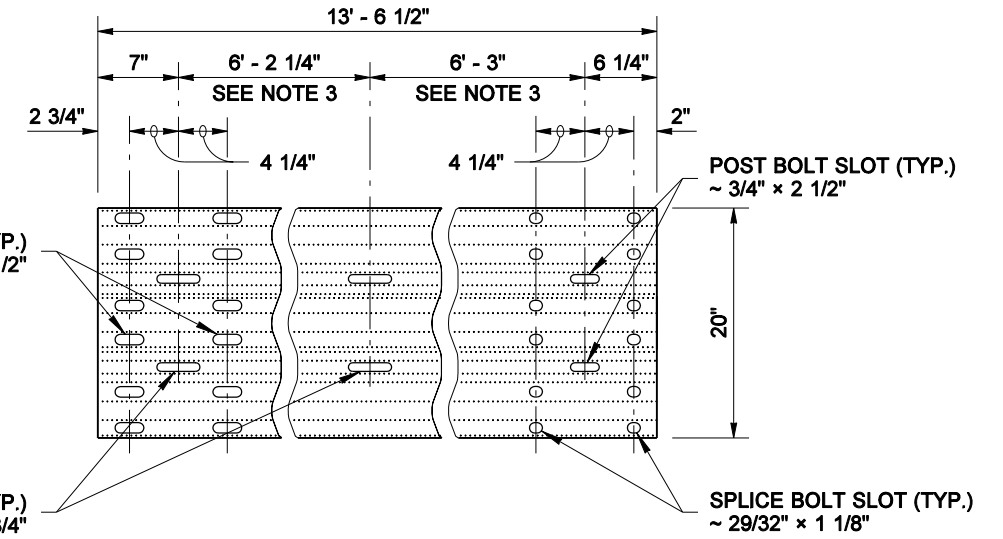
TYPICAL RAIL ELEMENT



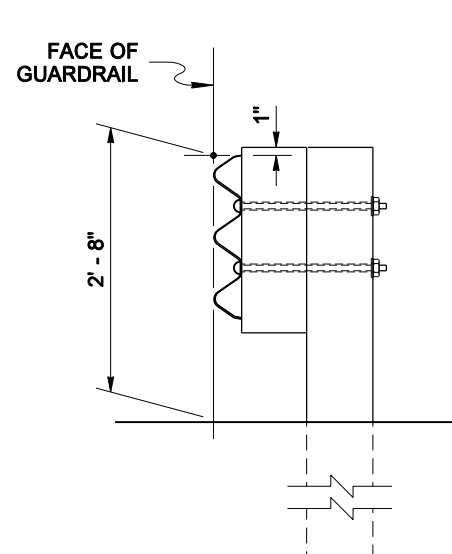
RAIL ASSEMBLY



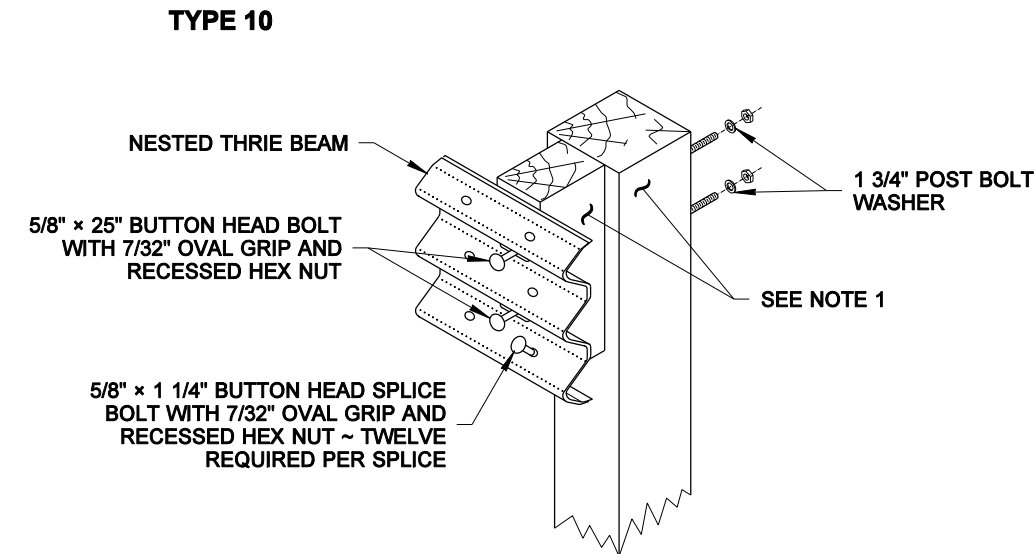
WOOD POST ASSEMBLY



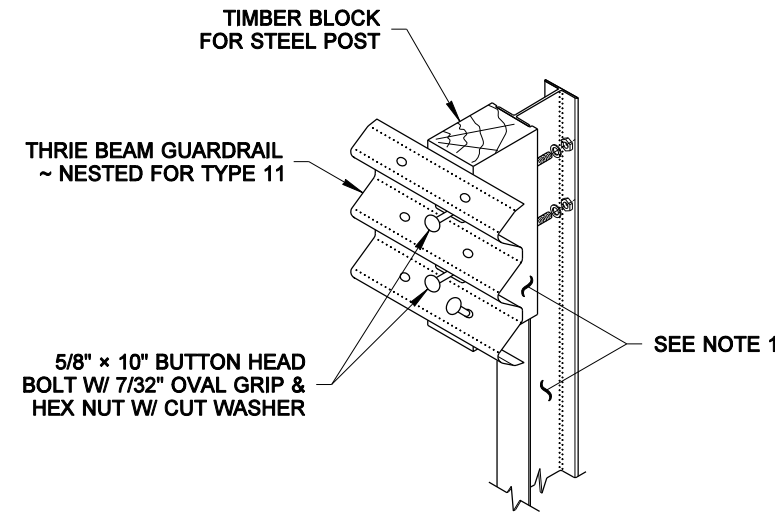
EXPANSION SECTION



RAIL ASSEMBLY



WOOD POST ASSEMBLY



STEEL POST ASSEMBLY

TYPE 10 AND 11

NOTES

1. Type 10 post shall be 6x8 timber or W6x9. Type 11 post shall be 10x10 timber or W6x15. For additional details see **Standard Plan C-1b**.
2. Type 10 guardrail post spacing shall be 6' - 3" on center. Type 11 shall be a maximum of 3' - 1 1/2" on center.
3. Spacing may vary depending on application. See **Standard Specification Section 9-16.3(1)** for rail element requirements.



NOTE: THIS PLAN IS NOT A LEGAL ENGINEERING DOCUMENT UNLESS IT IS APPROVED AND SEALED BY THE ENGINEER AND APPROVED FOR OR CONTROLLED BY THE FILE AT THE WASHINGTON STATE DEPARTMENT OF TRANSPORTATION. A COPY MAY BE OBTAINED UPON REQUEST.

BEAM GUARDRAIL (THRIE BEAM) STANDARD PLAN C-1a

SHEET 1 OF 1 SHEET

APPROVED FOR PUBLICATION

Pasco Bakotich III 10-14-09

STATE DESIGN ENGINEER DATE

