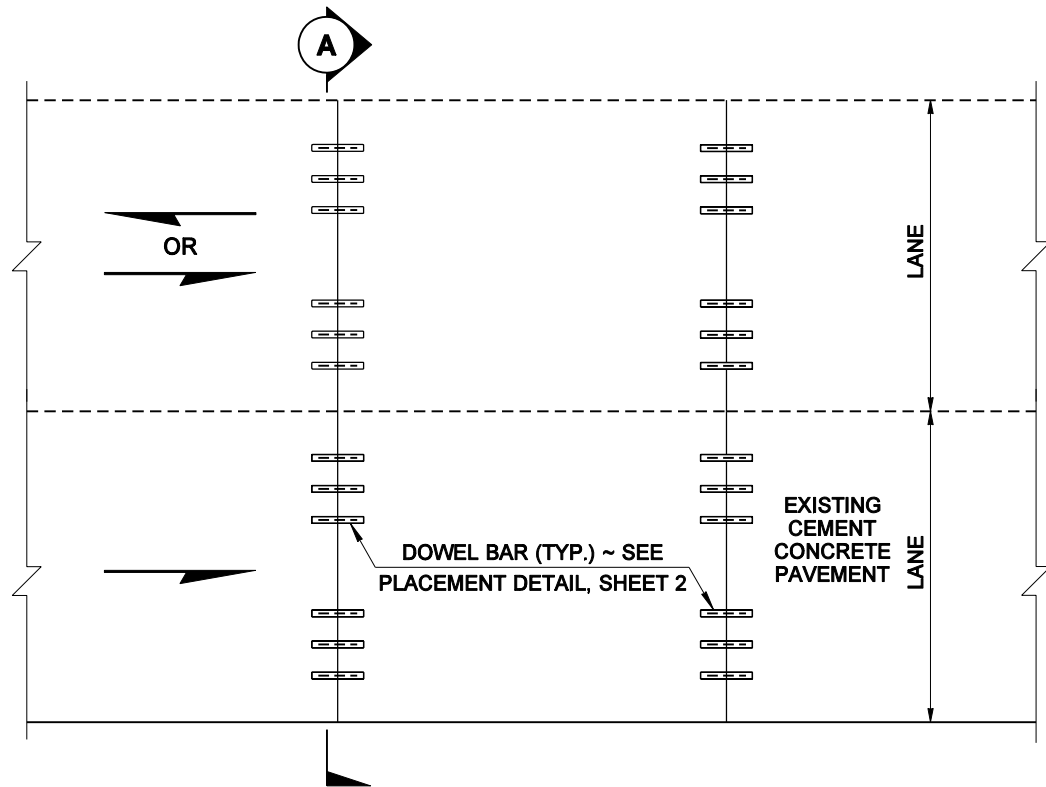
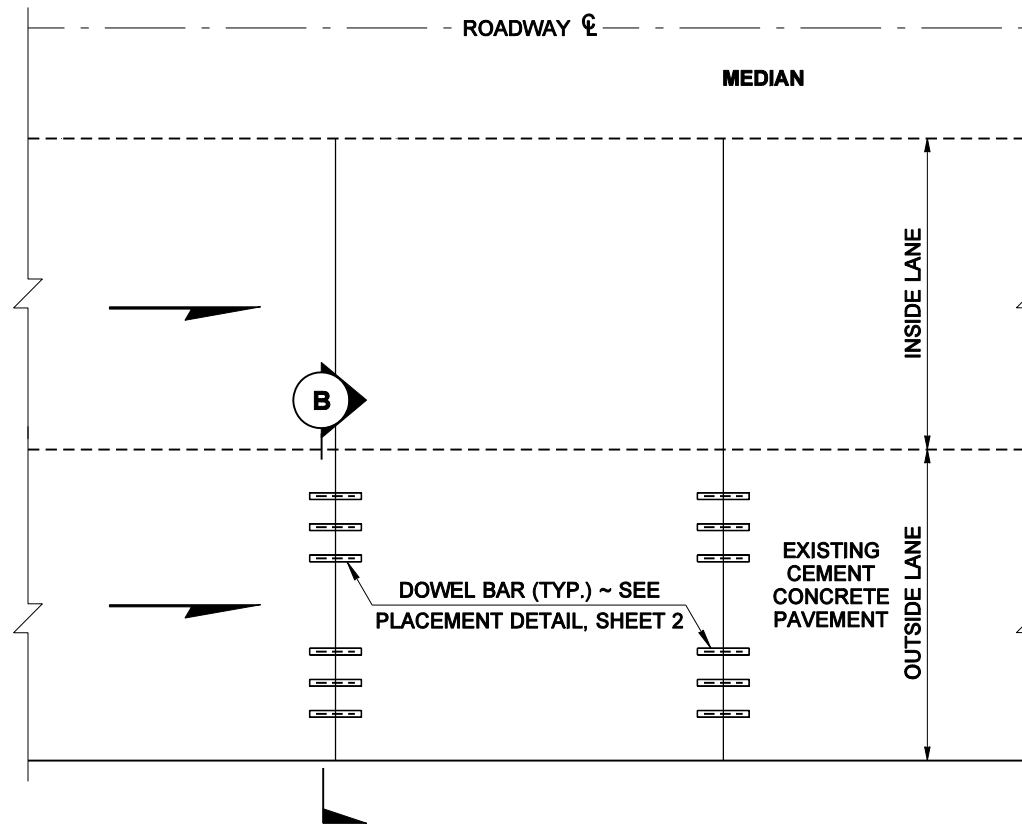


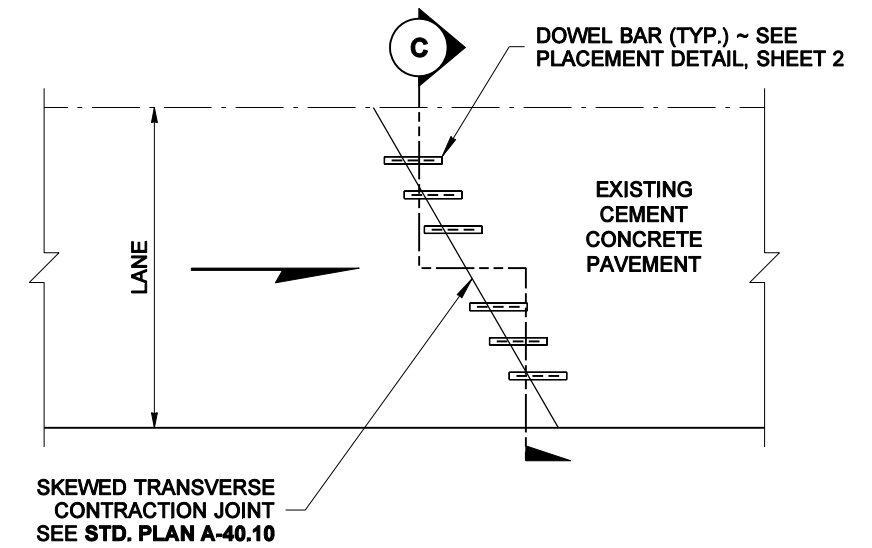
DRAWN BY: FERN LIDDELL



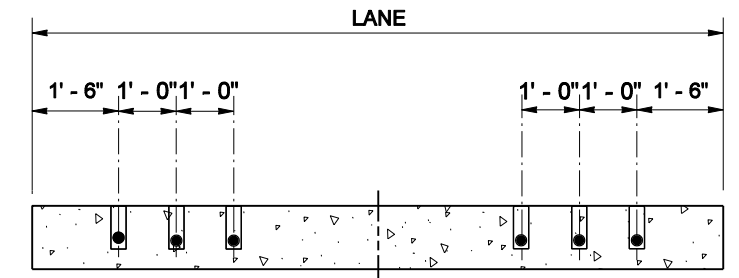
**PLAN VIEW**  
**DOWEL BAR RETROFIT**  
**FOR TWO LANE DIVIDED HIGHWAY (ONE WAY TRAFFIC)**  
**FOR EACH LANE IN UNDIVIDED HIGHWAY (TWO WAY TRAFFIC)**



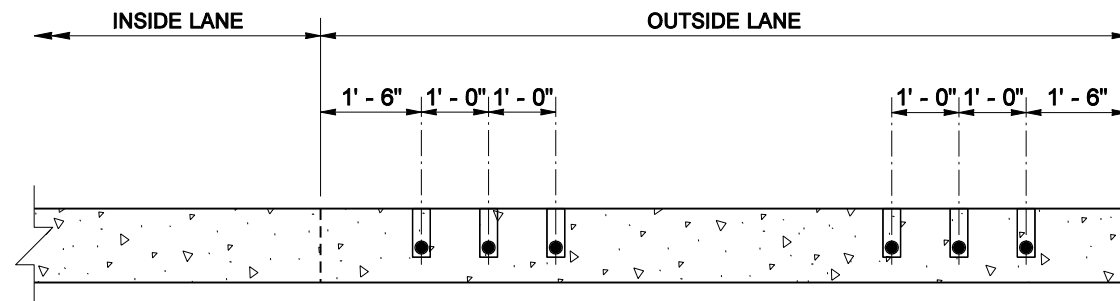
**PLAN VIEW**  
**DOWEL BAR RETROFIT FOR ONE LANE**  
**DIVIDED HIGHWAY (ONE WAY TRAFFIC)**



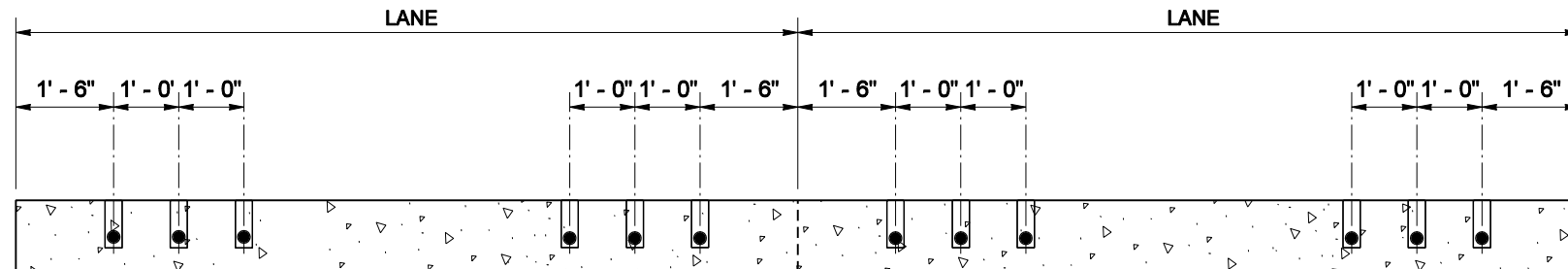
**PLAN VIEW**  
**SKEWED JOINT DETAIL**



**SECTION C**



**SECTION B**



**SECTION A**



NOTE: THIS PLAN IS NOT A LEGAL ENGINEERING DOCUMENT UNTIL ELECTRONICALLY APPROVED BY THE ENGINEER AND APPROVED BY THE CONTRACTOR. THIS PLAN FILE AT THE WASHINGTON STATE DEPARTMENT OF TRANSPORTATION. A COPY MAY BE OBTAINED UPON REQUEST.

**DOWEL BAR RETROFIT FOR CEMENT CONCRETE PAVEMENT**  
**STANDARD PLAN A-60.20-01**

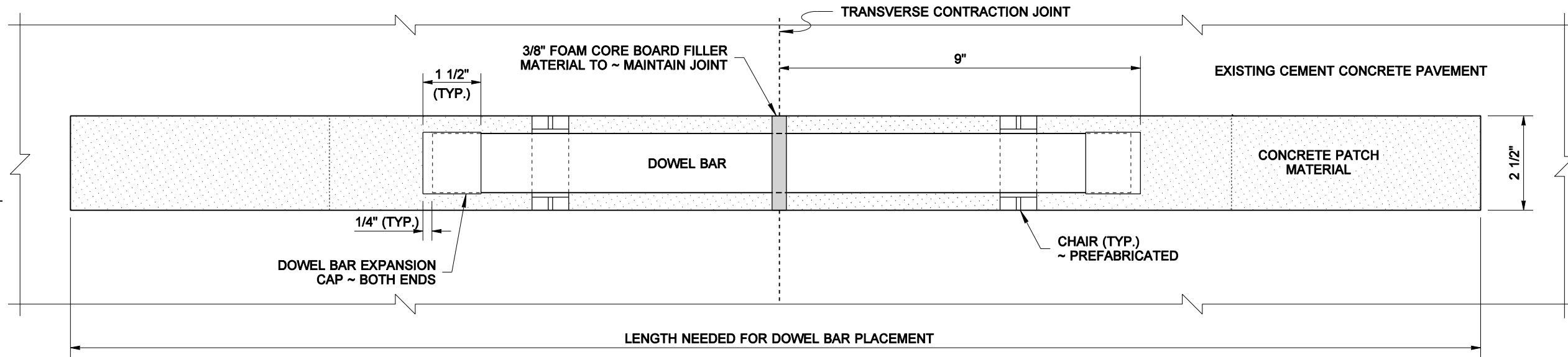
SHEET 1 OF 2 SHEETS

APPROVED FOR PUBLICATION

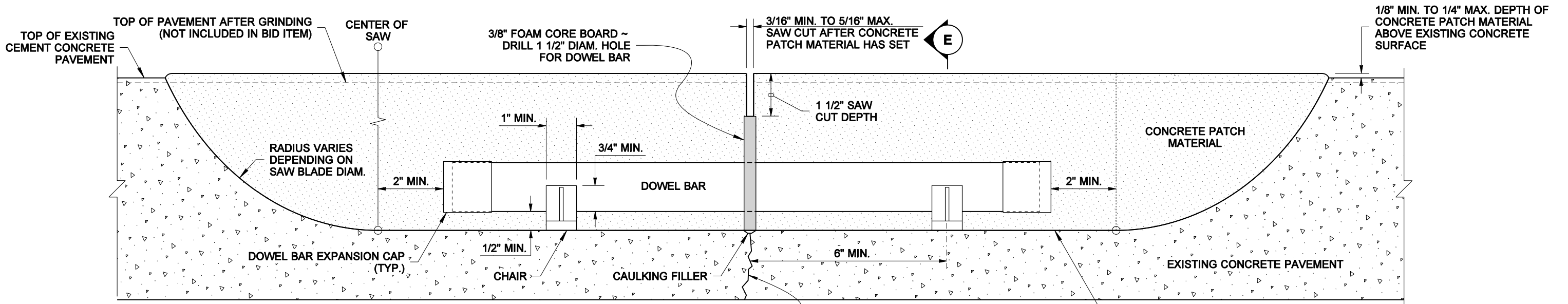
**Pasco Bakotich III** 08-11-09  
 STATE DESIGN ENGINEER DATE



DRAWN BY: FERN LIDDELL

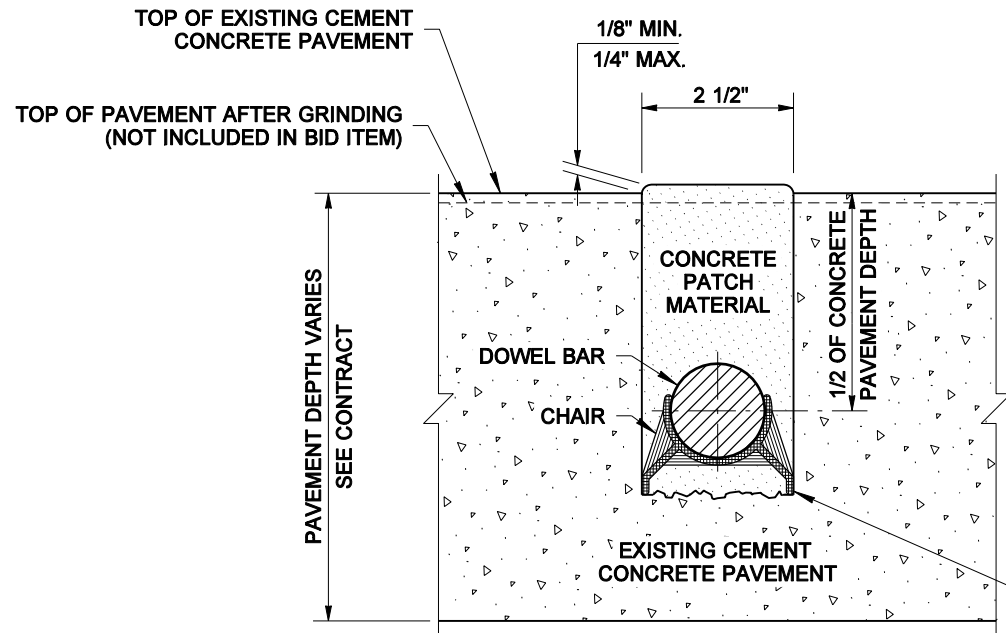


PLAN VIEW

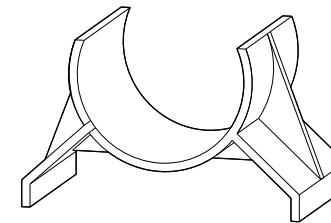


SECTION D

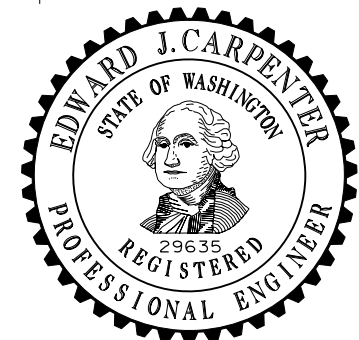
DOWEL BAR PLACEMENT DETAIL



SECTION E



CHAIR DETAIL



NOTE: THIS PLAN IS NOT A LEGAL ENGINEERING DOCUMENT  
 NOTE: ALL CHANGES TO THIS PLAN SHALL BE MADE BY THE ENGINEER AND APPROVED BY THE CONTRACTOR. THE FILE AT THE WASHINGTON STATE DEPARTMENT OF TRANSPORTATION. A COPY MAY BE OBTAINED UPON REQUEST.

**DOWEL BAR RETROFIT FOR CEMENT CONCRETE PAVEMENT STANDARD PLAN A-60.20-01**

SHEET 2 OF 2 SHEETS

APPROVED FOR PUBLICATION

**Pasco Bakotich III** 08-11-09

STATE DESIGN ENGINEER

DATE



Washington State Department of Transportation