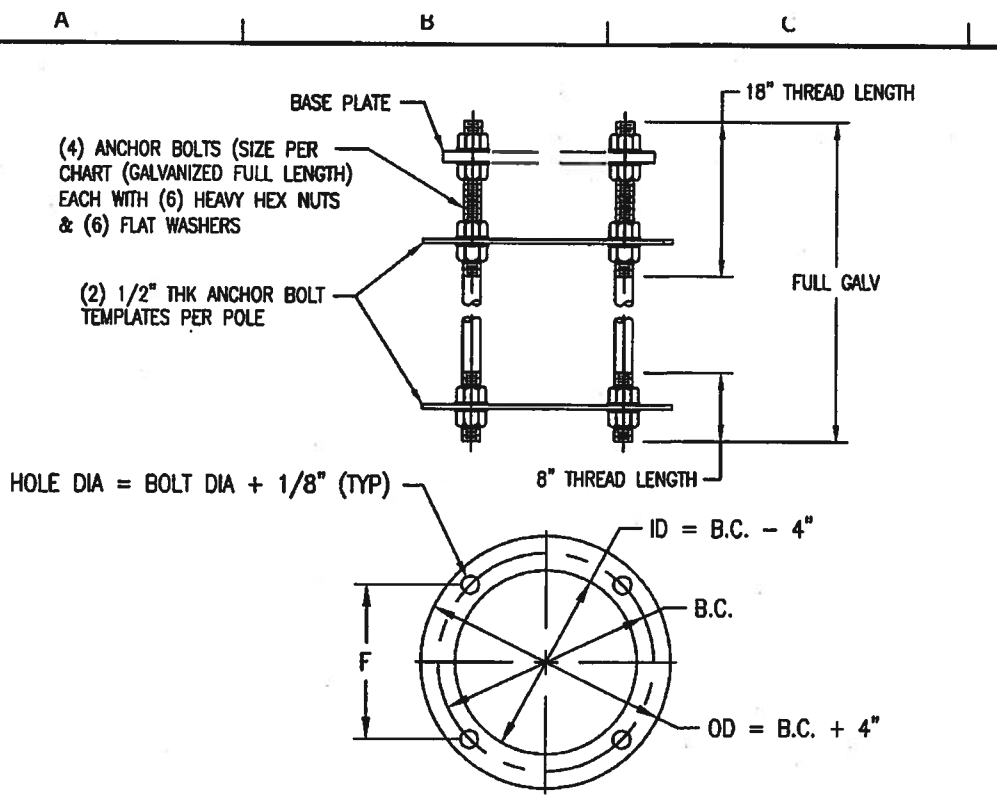
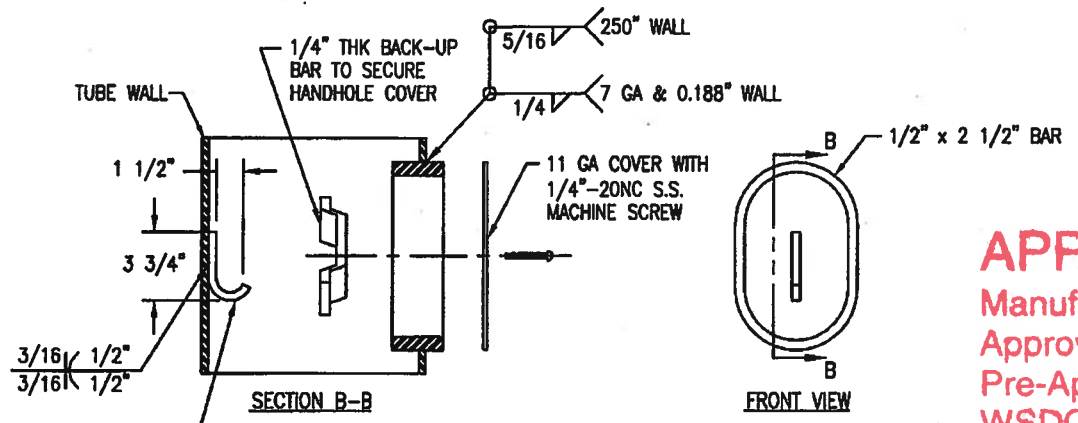


Handcopies of this document are considered uncontrolled and are to be used for reference only. These using this document for reference must take all precautions available to ensure that this document matches the current revision maintained in digital format, within but a single source and protected by all restrictions.

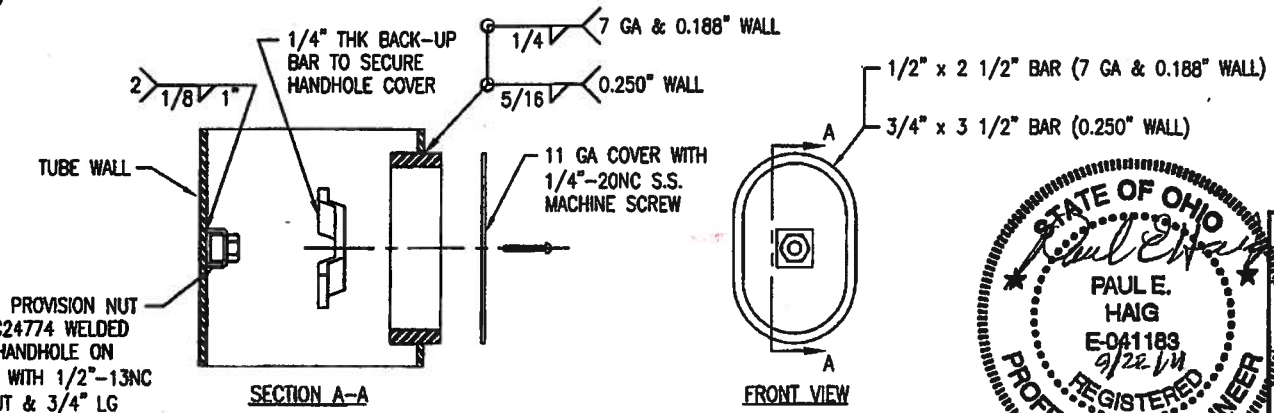


ANCHOR BOLT ASSEMBLY
(SHIPPED UNASSEMBLED)
(REF: B100-A386)



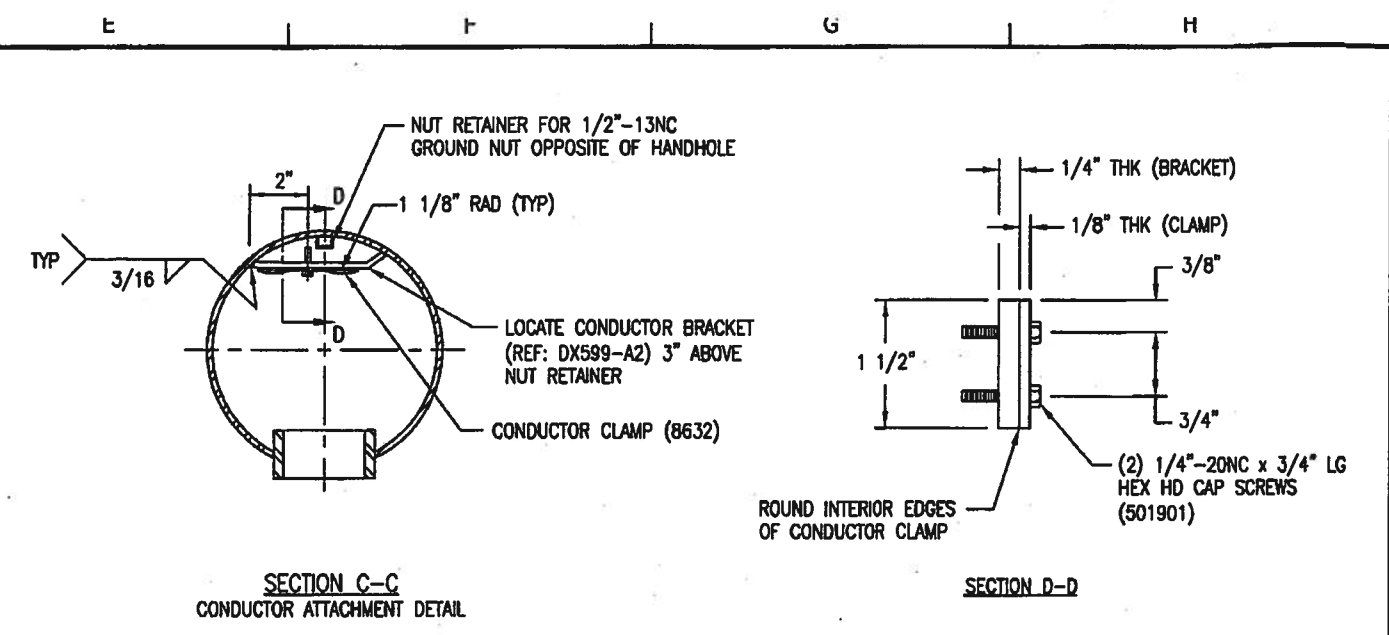
UPPER 6"x8" HANDHOLE FRAMES DETAIL

Ø1/2" J-HOOK (REF: 46853)
(SEE BASE PLATE DETAIL FOR ORIENTATION)



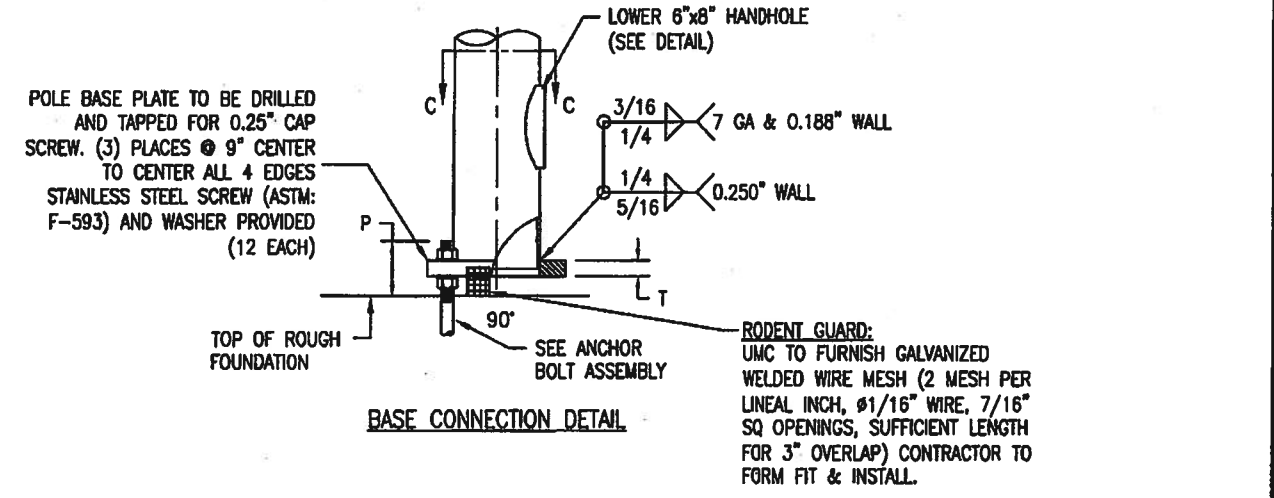
LOWER 6"x8" HANDHOLE FRAME DETAIL

GROUNDING PROVISION NUT RETAINER C24774 WELDED OPPOSITE HANDHOLE ON POLE WALL WITH 1/2"-13NC S.S. SQ NUT & 3/4" LG S.S. HEX BOLT



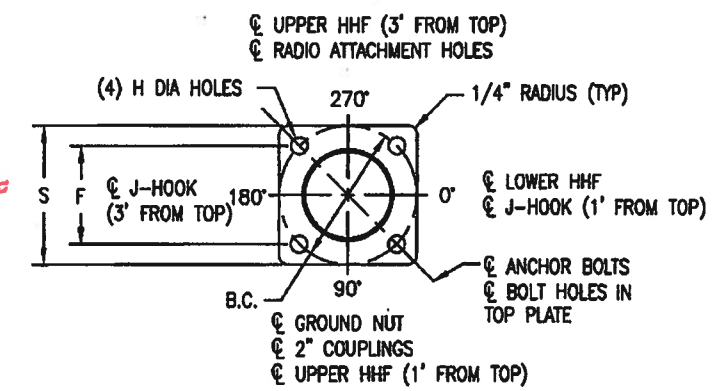
SECTION C-C
CONDUCTOR ATTACHMENT DETAIL

SECTION D-D



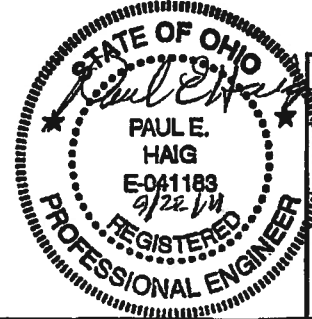
BASE CONNECTION DETAIL

RODENT GUARD:
UMC TO FURNISH GALVANIZED WELDED WIRE MESH (2 MESH PER LINEAL INCH, Ø1/16" WIRE, 7/16" SQ OPENINGS, SUFFICIENT LENGTH FOR 3" OVERLAP) CONTRACTOR TO FORM FIT & INSTALL.



BASE PLATE DETAIL

APPROVED
Manufacturer's Pole Plan
Approved For Listing As A
Pre-Approved Drawing
WSDOT Bridge & Structures Office
By GB Date 10-4-2011



STATE: WASHINGTON	REQ# / SO#: DWA-032311-1	REV	DESCRIPTION	DATE	REV BY/CHK BY
PROJECT NAME: WSDOT CAMERA POLES			REVISIONS		
ROUND TAPERED STEEL CAMERA POLES-LOAD CASE #2					
WASHINGTON STATE DEPARTMENT OF TRANSPORTATION					
	This document and the contents herein are proprietary and the property of Union Metal Corporation. This document is not to be copied, reproduced, or used for any reason except for the purposes which it was issued without the express written consent of Union Metal Corporation. Furthermore Union Metal Corporation reserves the right to recall this document and all copies at any time for any reason.	DESIGNED BY	CHECKED BY	DATE	SCALE
		EGB	SAW	4/1/11	NTS
		P33-B323		REVISION	ENG REF
				R3	P33-B318
				2 OF 2	