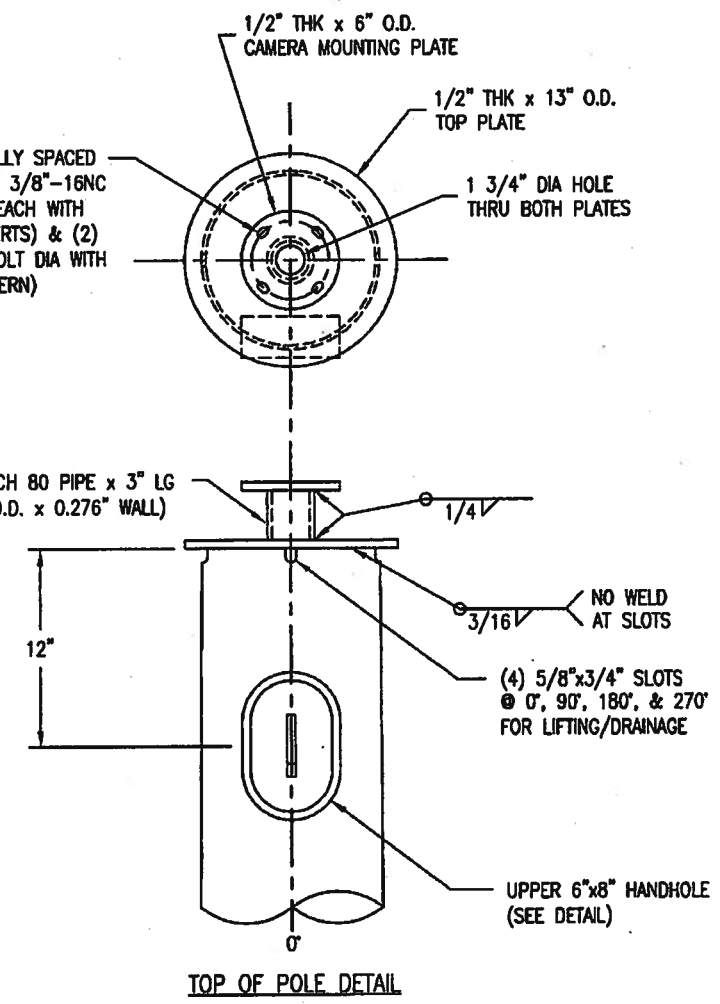


| QTY | UMC DESIGN NUMBER | OAL HEIGHT | POLE TUBE SIZE | POLE BASE CONNECTION DATA | | | | | | | |
|-----|-------------------|------------|--|---------------------------|----|----|-------|-------|-------|------------------|--|
| | | | | B.C. | S | F | P | T | H | ANCHOR BOLT SIZE | |
| | P33-B318-Y1 | 20'-0" | 7E-12.00x9.20x20'-0" | | | | | | | | |
| | P33-B318-Y4 | 25'-0" | 7E-13.00x9.50x25'-0" | | | | | | | | |
| | P33-B318-Y5 | 30'-0" | 7E-13.50x9.30x30'-0" | | | | | | | | |
| | P33-B318-Y6 | 35'-0" | 7E-14.00x9.10x35'-0" | | | | | | | | |
| | P33-B318-Y2 | 40'-0" | 7E-16.25x10.65x40'-0" | 25 1/2 | 25 | 18 | 5 1/4 | 1 1/4 | 1 3/8 | 1 1/4" x 52" | |
| | P33-B318-Y7 | 45'-0" | 0.188-18.51x12.11x45'-0"-18 [0.188-18.25x11.95x45'-0"-18] | | | | | | | | |
| | P33-B318-Y3 | 50'-0" | 0.250-19.52x12.42x50'-0"-18 [0.250-19.25x12.25x50'-0"-18] | | | | | | | | |

7 GA = 0.179" WALL THICKNESS
3 GA = 0.250" WALL THICKNESS
0.188 = 0.188" WALL THICKNESS
0.250 = 0.250" WALL THICKNESS
E = ROUND TAPERED STEEL TUBE @ 0.14 in/ft TAPER
-18 = 18-SIDED TAPERED STEEL TUBE @ 0.14 in/ft TAPER
DIMENSIONS GIVEN (ACROSS CORNERS) & [ACROSS FLATS]

(4) 7/16" x 3/4" SLOTS EQUALLY SPACED ON A 4 3/4" DIA B.C. FOR (4) 3/8"-16NC x 1 3/4" LG S.S. HEX BOLTS EACH WITH (1) LOCKNUT (WITH NYLON INSERTS) & (2) FLAT WASHERS (FIELD VERIFY BOLT DIA WITH BASE OF CAMERA & HOLE PATTERN)

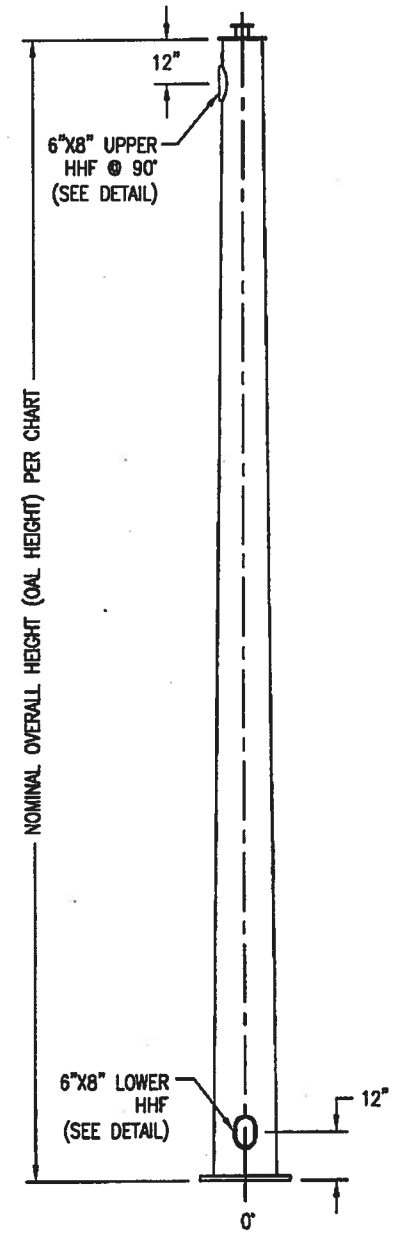
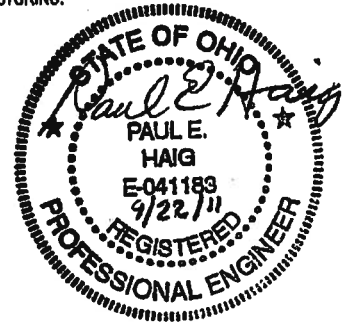


DESIGN CRITERIA:

- DESIGNED IN ACCORDANCE WITH 2009 AASHTO, 5TH EDITION, "STANDARD SPECIFICATIONS FOR STRUCTURAL SUPPORTS FOR HIGHWAY SIGNS, LUMINAIRES AND TRAFFIC SIGNALS" FOR 90 M.P.H. WIND ZONE. THE DESIGN PARAMETERS INCLUDE:
50 YEAR STRUCTURE DESIGN LIFE / RECURRENCE INTERVAL
FATIGUE CATEGORY I CONSIDERATION FOR:
NATURAL WIND GUST
POLE DEFLECTION SHALL NEITHER EXCEED 0.7" IN 30 M.P.H WIND NOR 1.4" IN 70 M.P.H. WIND
LOAD CASE #1:(1) CAMERA = 4 sq ft @ 2'-0" ABOVE TOP OF POLE
(2) DISH = 12" DIA @ POLE TOP
- ANCHOR BOLT PROJECTION FROM TOP OF FOUNDATION TO BOTTOM OF BASE PLATE MUST NOT EXCEED ONE NUT HEIGHT PLUS ONE INCH.
- CUSTOMER TO CONFIRM ALL DIMENSIONS & ORIENTATIONS BEFORE RELEASING ORDER FOR MANUFACTURING.

| MATERIAL SPECIFICATIONS | |
|-------------------------|---|
| ROUND TAPERED TUBE | ASTM A595 GR A |
| 18 SIDED TAPERED TUBE | ASTM A572 GR 50 MIN |
| PLATE | ASTM A36 |
| BAR HANDHOLE FRAME | ASTM A529 GR 50 (PREFERRED) or ASTM A572 GR 50 or ASTM A709 GR 50 |
| HANDHOLE COVER | ASTM A36 |
| ANCHOR BOLTS | ASTM F1554 GR 105 |
| ANCHOR BOLT NUTS | ASTM A563 GR DH |
| FLAT WASHERS | ASTM F436 |
| PIPE | ASTM A501 GR A (36 KSI) or A53 GR B |
| S.S. HARDWARE | AISI-300 SERIES (18-8) |
| STRUCTURE FINISH | PER SALES ORDER |
| HARDWARE FINISH | HD GALV TO ASTM A153 |

NOTE: CONTRACTOR TO VERIFY TOP PLATE, CAMERA MOUNTING PLATE, BOLT CIRCLE, AND BOLT HOLES ARE ADEQUATE FOR THE REQUIRED CAMERA BEFORE RELEASING FOR MANUFACTURING.



APPROVED
Manufacturer's Pole Plan
Approved For Listing As A
Pre-Approved Drawing
WSDOT Bridge & Structures Office
By GB Date 10-4-2011

| STATE: | REQ# / SO# : | REV | DESCRIPTION | DATE | REV BY | CHK BY |
|------------|--------------|-----|--|---------|--------|--------|
| WASHINGTON | DWA-26948-1 | R10 | REVISED INSIDE FILLET WELD SIZE OF BASE PLATE CONNECTION | 9/22/11 | BJR | BJR |
| | | R9 | REVISED ROBERT GUARD NOTES | 6/2/11 | JMC | SAD |

| REVISIONS | | | | | |
|---|------------|--------|------------|---------------|--|
| ROUND TAPERED STEEL CAMERA POLES-LOAD CASE #1 | | | | | |
| WASHINGTON STATE DEPARTMENT OF TRANSPORTATION | | | | | |
| DESIGNED BY | CHECKED BY | DATE | SCALE | ENG REF | |
| LRR | SAD | 1/8/09 | NTS | P33-B317 | |
| P33-B318 | | | REVISION | SHEET | |
| | | | R10 | 1 OF 2 | |



This document and the contents herein are proprietary and the property of Union Metal Corporation. This document is not to be copied, reproduced, or used for any reason except for the purposes which it was issued without the express written consent of Union Metal Corporation. Furthermore Union Metal Corporation reserves the right to recall this document and all copies at any time for any reason.