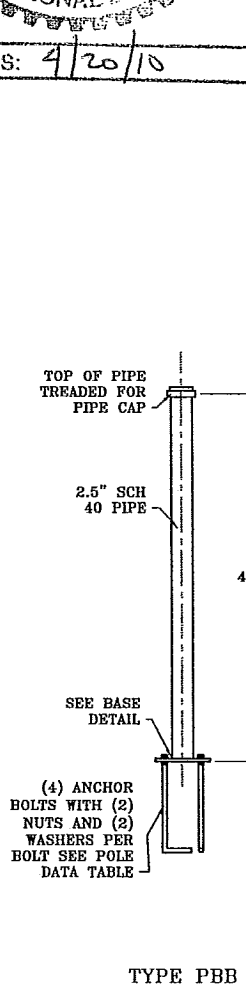
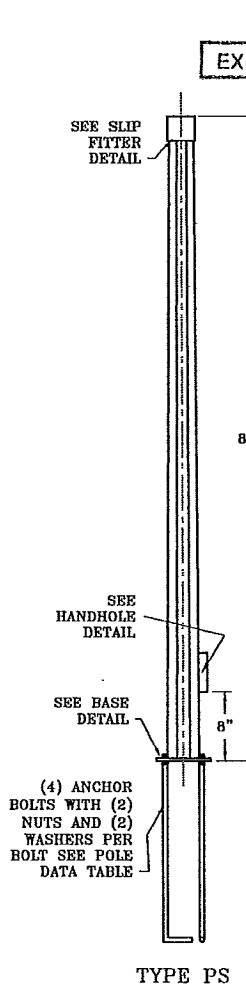
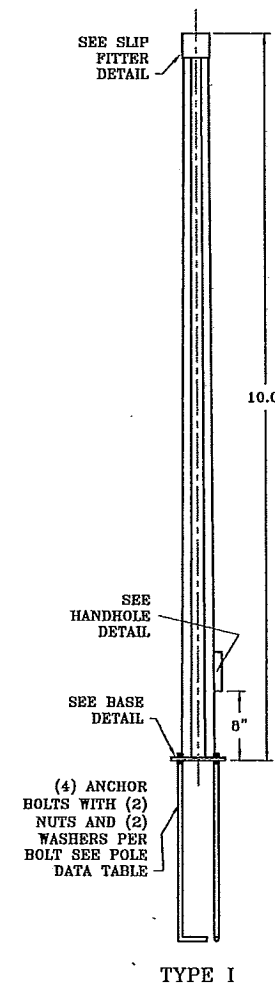
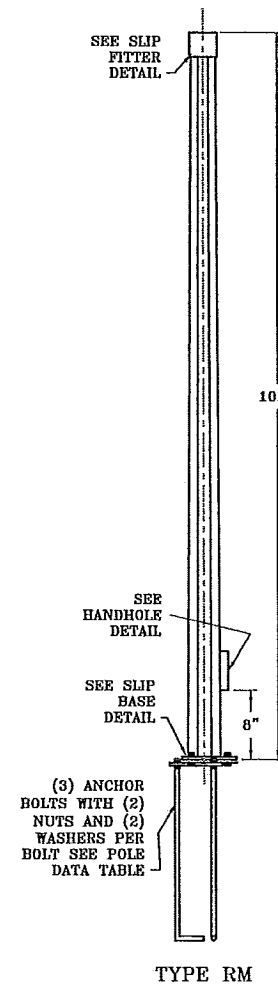
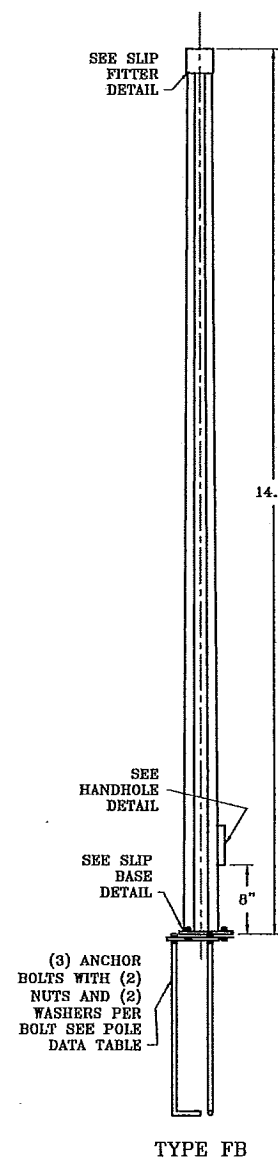
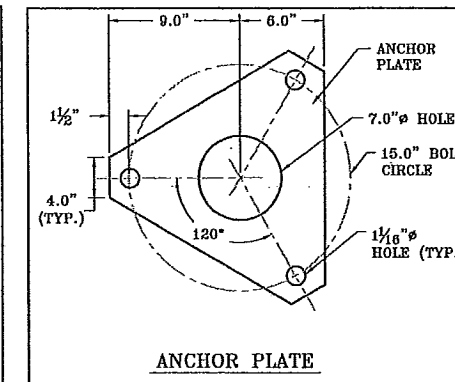
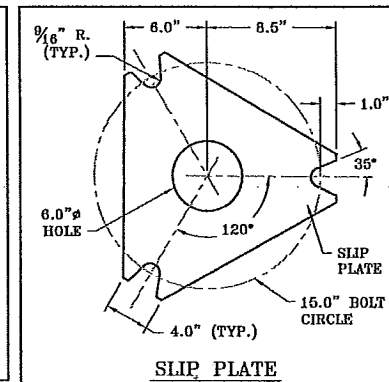
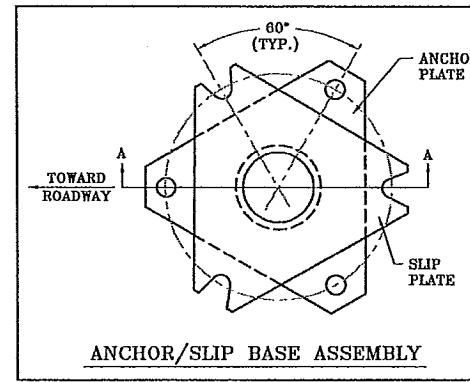


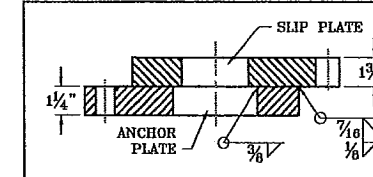
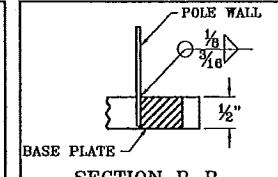
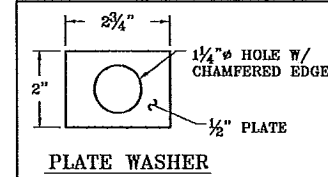
APPROVED
 Manufacturer's Pole Plan
 Approved For Listing As A
 Pre-Approved Drawing
 WSDOT Bridge & Structures Office
 By GB Date 8/6/2008



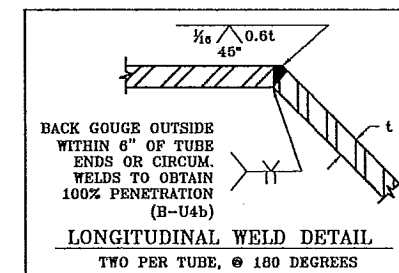
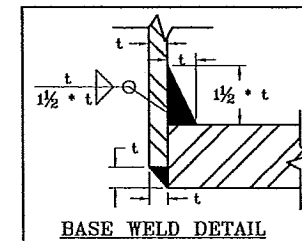
EXPIRES: 4/20/10



POLE SCHEDULE	
POLE NUMBER	POLE DESIGNATION



POLE DATA				
POLE DESIGNATION	BASE DIA (IN)	TOP DIA (IN)	THICK-NESS (IN)	ANCHOR BOLT (IN)
TYPE PPB	2.875	2.875	0.203	1/2" x 12" x 2"
TYPE PS	5.125	4.0	0.1875	3/4" x 30" x 4"
TYPE I	5.5	4.0	0.1875	3/4" x 30" x 4"
TYPE RM	5.5	4.0	0.1875	3/4" x 30" x 4"
TYPE FB	6.0	4.0	0.1875	3/4" x 30" x 4"



NOTES:
DESIGN CRITERIA
 2001 AASHTO STANDARD SPECIFICATIONS FOR STRUCTURAL SUPPORTS FOR HIGHWAY SIGNS, LUMINAIRES, AND TRAFFIC SIGNALS.
 -90 MPH 3 SECOND GUST
 -50 YEAR DESIGN LIFE/RECURRENCE INTERVAL
GENERAL
 -POLE SHALL BE DODECAGONAL IN CROSS SECTION. POLE SHAFT SHALL HAVE TAPER OF 0.14 IN/FT.
 -FABRICATION SHALL CONFORM TO 2001 AASHTO STANDARD SPECIFICATIONS FOR STRUCTURAL SUPPORTS FOR HIGHWAY SIGNS, LUMINAIRES, AND TRAFFIC SIGNALS AND AWS D1.1 STRUCTURAL STEEL WELDING CODE.
MATERIALS
 -ALL STEEL IN TUBES AND BASE PLATES SHALL CONFORM TO ASTM A572 GR50.
 -ANCHOR BOLTS SHALL CONFORM TO ASTM F1554 GR 36, NUTS SHALL CONFORM TO ASTM A563A HEX, WASHERS SHALL CONFORM TO ASTM F844.
 -CONNECTION BOLTS SHALL CONFORM TO ASTM A325, NUTS SHALL CONFORM TO ASTM A563 GR DJ HEAVY HEX, WASHERS SHALL CONFORM TO ASTM F436 TYPE 1.
 -GALVANIZING SHALL CONFORM TO ASTM A123 & A153.
 -HANDHOLE FRAMES SHALL CONFORM TO ASTM A53.
 -HANDHOLE COVERS SHALL CONFORM TO ASTM A1011 GR50.
 -ALL PIPE SHALL CONFORM TO ASTM A53 GR B.
 -FASTENERS LESS THEN 1/2" IN DIAMETER SHALL BE STAINLESS STEEL OR BRASS.
 -POLE CAPS SHALL BE CAST ALUMINUM.

NO.	REVISION	DATE
1	NEW BOARDER, MINOR DESIGN CHANGES	6/08

NORTHWEST SIGNAL SUPPLY, INC
 12965 SW Herman Rd. - Tualatin, OR 97062
 PH: 503-635-4351, FX: 503-635-4341
 www.nwsignal.com

WSDOT TYPE PPB, TYPE PS, TYPE I, TYPE RM, & TYPE FB POST

DESIGNED BY	DATE	CHECKED BY	DATE
D. EMSLIE	6/25/08	J. MEUSCH	6/27/08

DRAWING NUMBER: NWS3540B
 SHEET 1 OF 1
 JOB NUMBER: _____