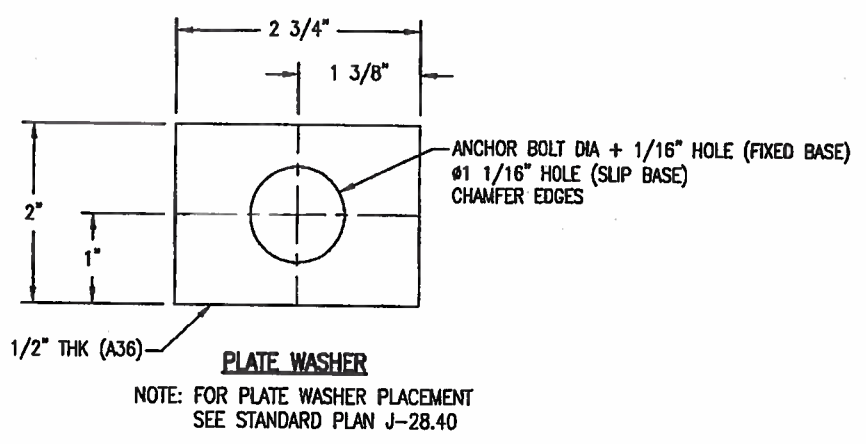
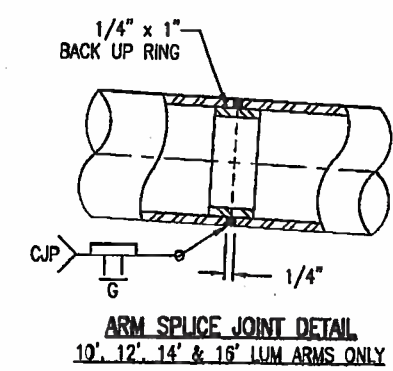
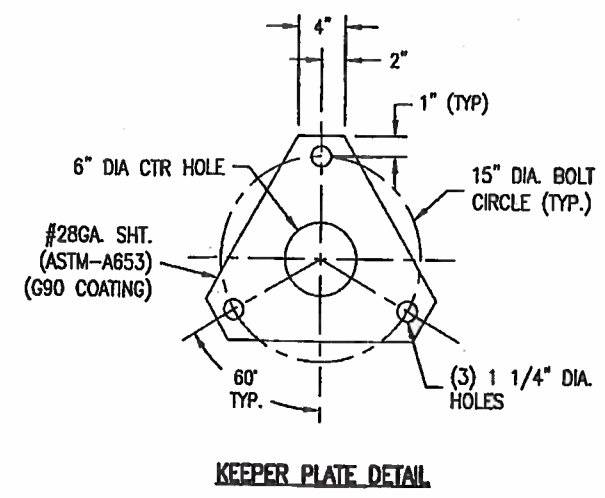
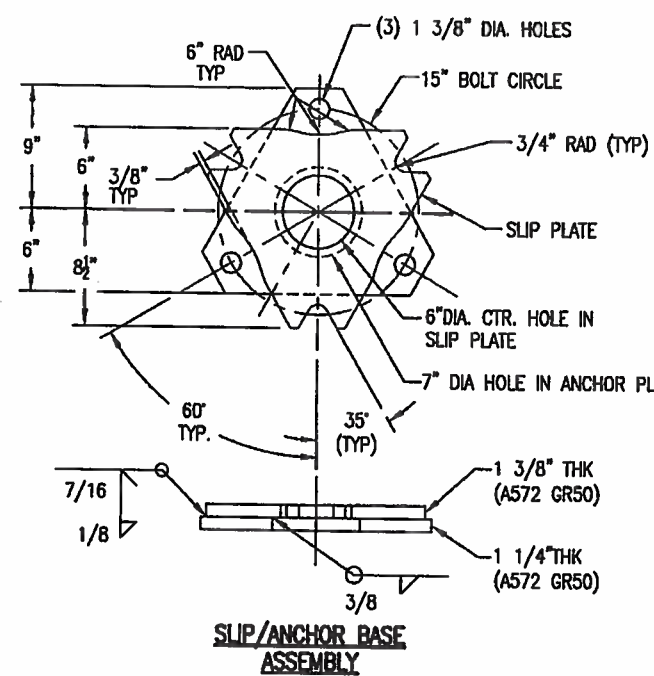
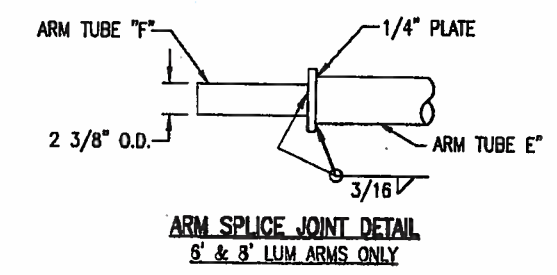
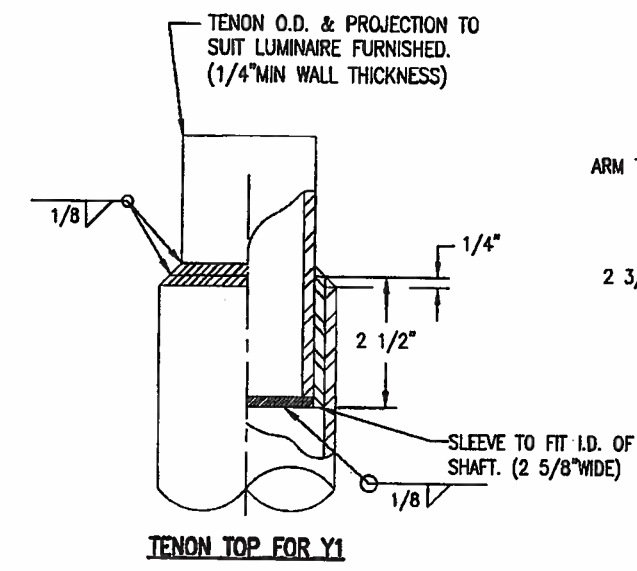
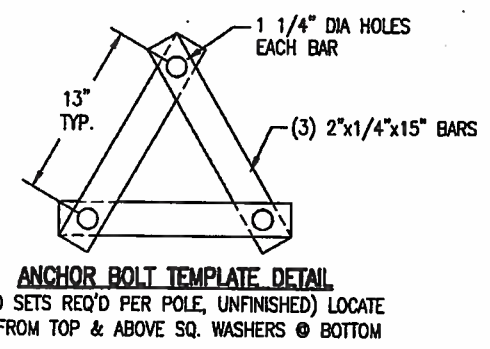
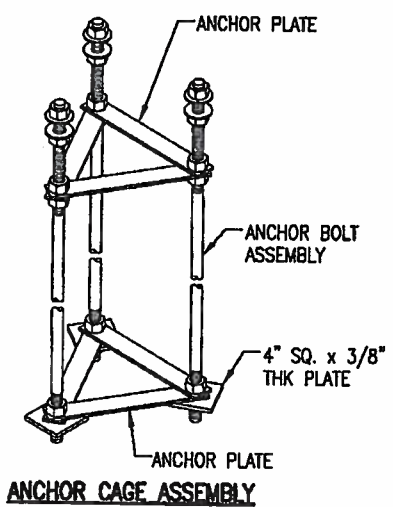


Microcopies of this document are considered uncontrolled and are to be used for reference only. Those using this document for reference must take all precautions available to ensure that this document matches the current revision maintained in digital format, with a single source and protected by edit restrictions.



APPROVED
Manufacturer's Pole Plan
Approved For Listing As A
Pre-Approved Drawing
WSDOT Bridge & Structures Office
By GB Date 8-23-2011



STATE: WA	REQ / SO# : DWA-080309-1	REV	DESCRIPTION	DATE	REV BY/CHK BY
PROJECT NAME: DOT		REVISIONS			
50'-0" NOM. STEEL POLE W/ SINGLE & TWIN DAVIT TYPE 1 ARM FOR WASHINGTON DOT					
	DESIGNED BY	CHECKED BY	DATE	SCALE	ENG REF
	LRR	JLD	8/18/09	NTS	71035-B38
71035-B50			REVISION	SHEET	
			R2.1	3 OF 3	