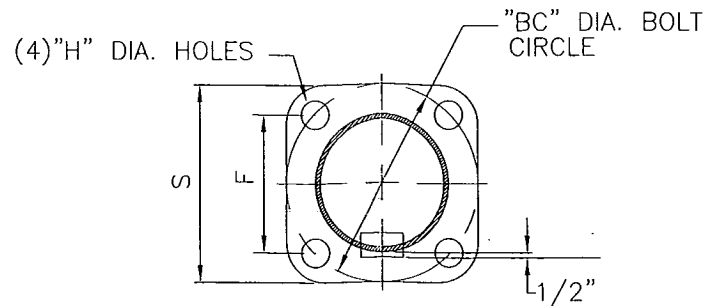
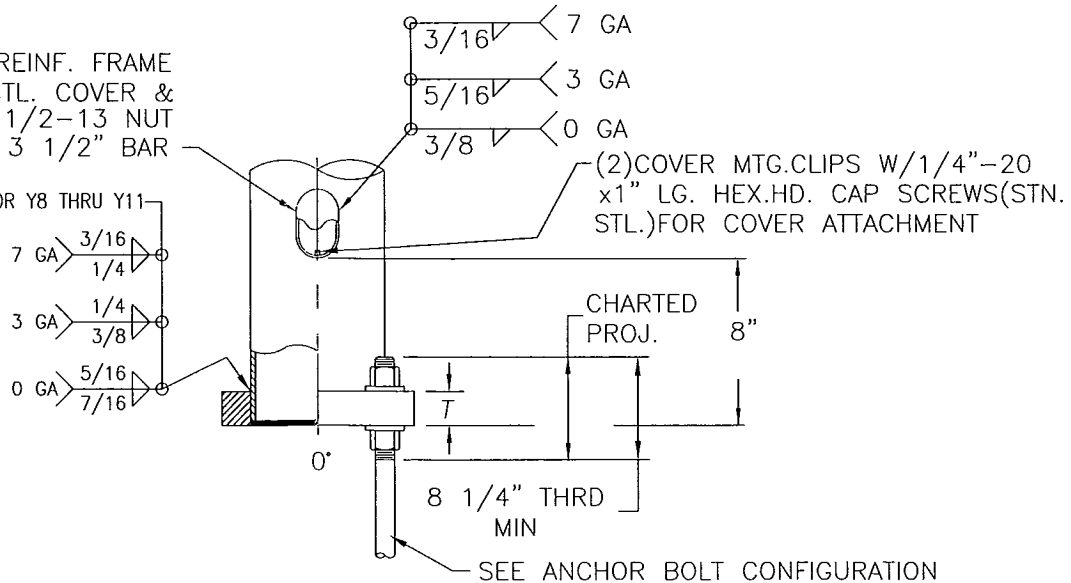


HANDHOLE BAR DETAIL



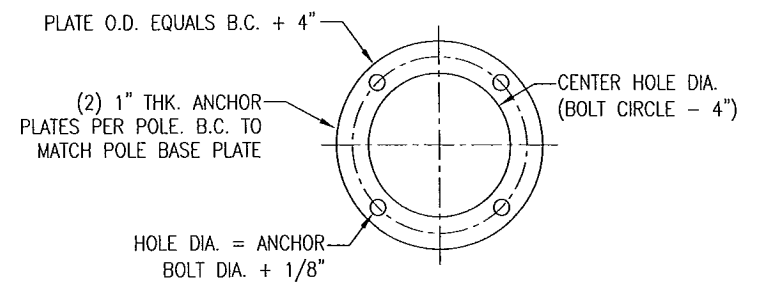
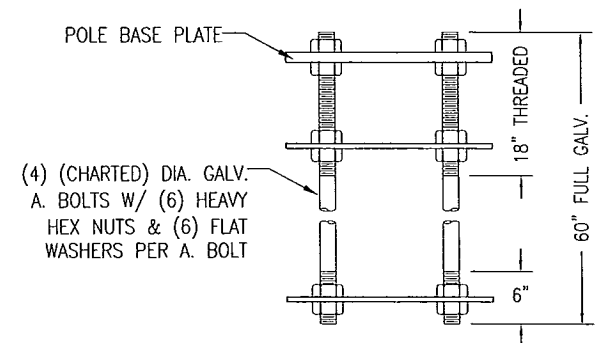
(4"x6 1/2") REINF. FRAME
W/ 11 GA. GALV. STL. COVER &
GRND. NUT RETAINER FOR 1/2-13 NUT
3/4" X 3 1/2" BAR

SEE WELD DETAIL FOR Y8 THRU Y11



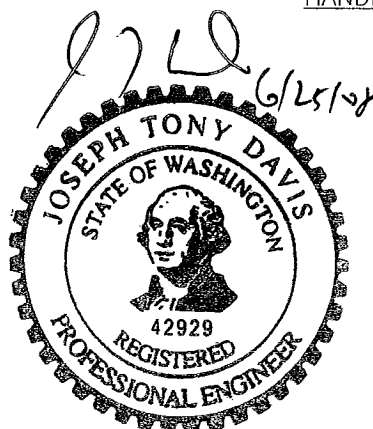
SINGLE PLY BASE &
HANDHOLE DETAIL

APPROVED
Manufacturer's Pole Plan
Approved For Listing As A
Pre-Approved Drawing
WSDOT Bridge & Structures Office
By GB Date 8/20/08

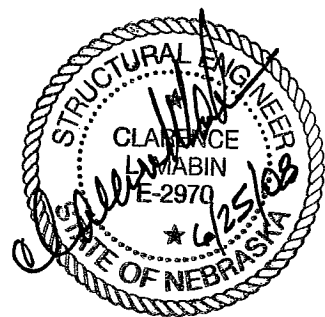


ANCHOR BOLT CONFIGURATION
(SHIPPED UNASSEMBLED)

U.M. DESIGN NUMBER	BASE PLATE DATA						
	"BC"	S	F	"H"	"T"	A. BOLT SIZE	PROJ.
71026-B86-Y1							
71026-B86-Y2							
71026-B86-Y3							
71026-B86-Y4	18"	18"	12 3/4"	1 3/4"	1 1/2"	1 1/2"x60"	6 1/4"
71026-B86-Y5							
71026-B86-Y6							
71026-B86-Y7							
71026-B86-Y8							
71026-B86-Y9	22"	22"	15 9/16"	2 3/8"	2"	2"x60"	8 1/4"
71026-B86-Y10							
71026-B86-Y11							



EXPIRES 2/1/09



REVISIONS		TYPE II STEEL TRAFFIC POLE FOR STATE OF WASHINGTON D.O.T.	
		LOF _____	ENG. REF. # 71026-B34
		REQ. # 0873-07-1	S.O. # _____ CAD# _____
		DRAWN <u>LCV</u>	DRAWING NO. 71026-B86
		DATE <u>2/12/03</u>	SHEET 3 OF 3
		CHECKED <u>EBL</u>	