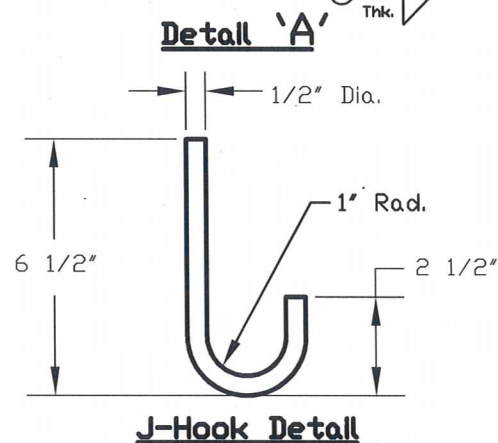
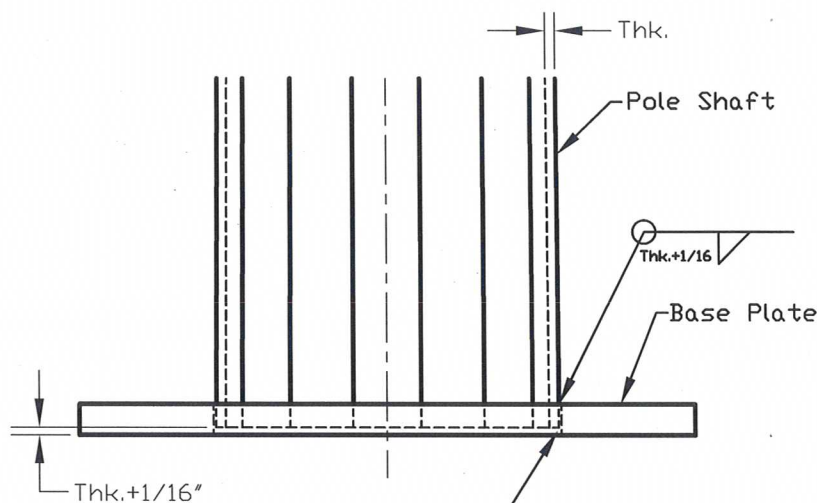


FOR APPROVAL ONLY

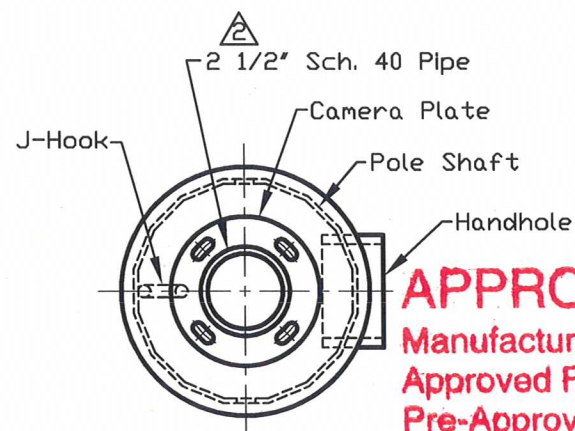
PRINT NAME: _____

SIGNATURE: _____

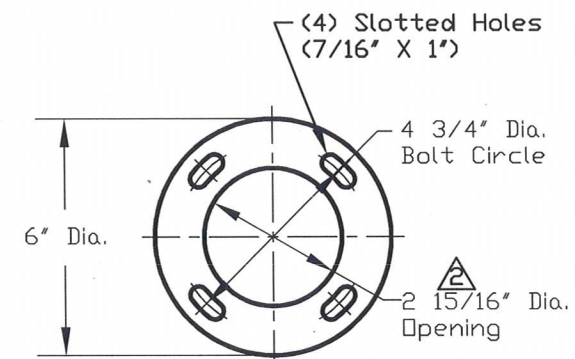
DATE: _____



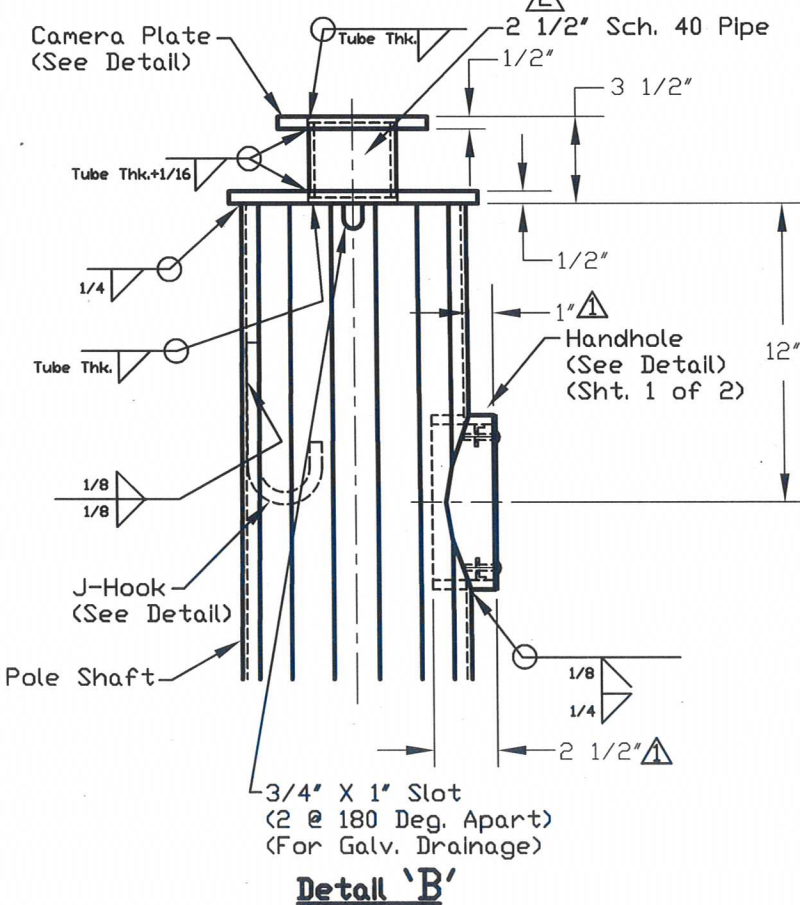
Identification Tag Detail Δ
 Material-14 Ga. Aluminum
 Secure With (4) 1/8"
 Stainless Steel Rivets.
 Letters To Be Stamped or Etched.
 Minimum Letter Size-3/16\"



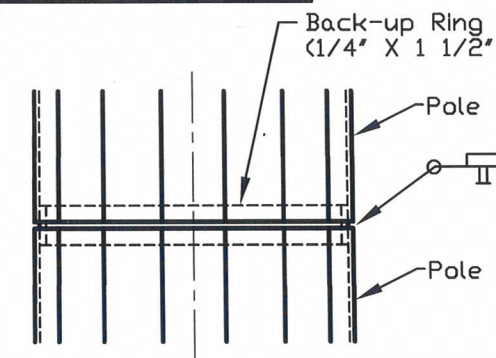
APPROVED
 Manufacturer's Pole Plan
 Approved For Listing As A
 Pre-Approved Drawing
 WSDOT Bridge & Structures Office
 By GB Date 12-2-09



Camera Plate Detail



Detail 'B'



Butt Weld Detail 'C'
 (No Splice In Bottom Third Of Pole Height)

| | | | |
|------|--|-----|------------|
| 6 | REVISED PER GARY BEDI E-MAIL. | JHG | 12/1/2009 |
| 5 | ADDED I.D.TAG. | JHG | 11/24/2009 |
| 4 | CHANGED REVISION NUMBER TO MATCH REVISION NUMBER ON SHT. 1 OF 2 PER WASHINGTON D.O.T. REQUEST. | JHG | 11/4/2009 |
| 2 | REVISED PER RETURNED MARKED-UP DRAWING. | JHG | 10/20/2009 |
| 1 | REVISED PER RETURNED MARKED-UP DRAWING. | JHG | 9/22/2009 |
| REV# | DESCRIPTION | BY | DATE |



909 INDUSTRIAL BLVD. • SUGAR LAND, TEXAS 77478

STATE OF WASHINGTON
 CAMERA POLE

SHT. 2 OF 2

| | | | | | | | |
|--------------|-----|-------|-----------|--------------|--------------|-------|---|
| DRAWN BY: | JHG | DATE: | 1/15/2008 | DRAWING NO.: | 10-200-CAM-1 | REV#: | 6 |
| APPROVED BY: | | DATE: | | | | | |