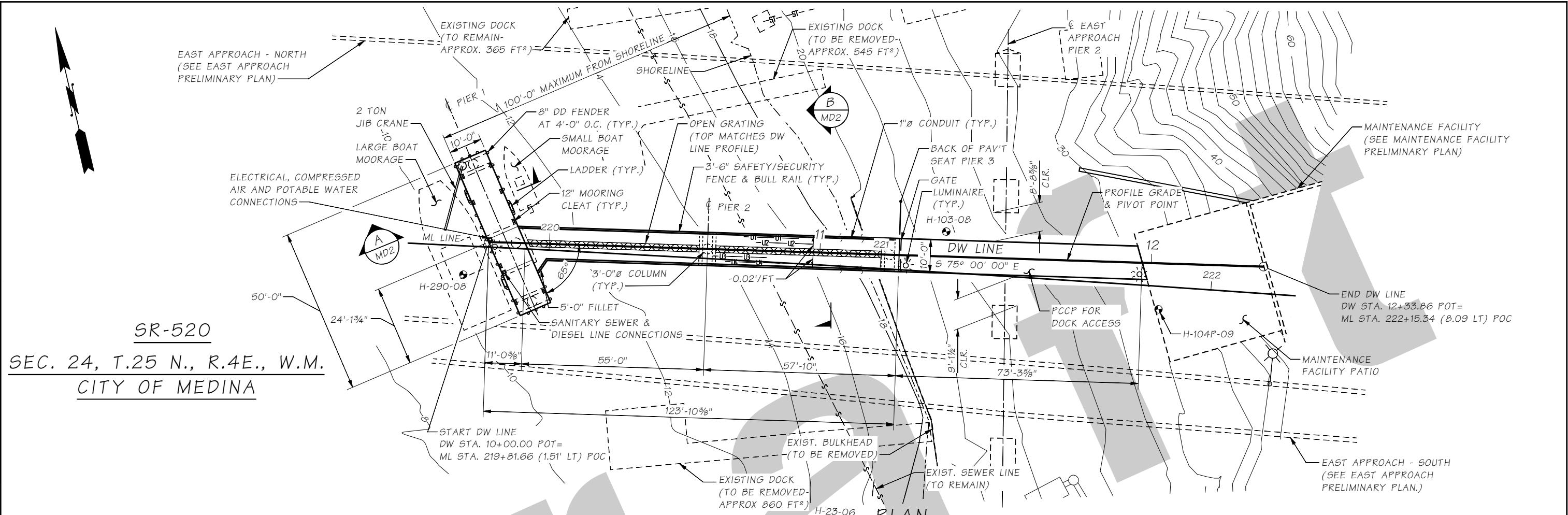


COAST GUARD LIAISON
 COAST GUARD PERMIT NOT REQ'D
 PERMIT TARGET DATE

BRIDGE WITH APPROACH FILLS
 1" DEEP ~ FC PS CONCRETE SLAB GIRDERS
 DECK PROTECTIVE SYSTEM 1 (EPOXY COATED REBAR)
 CAST-IN-PLACE CONCRETE STRENGTH SHALL BE 4000 PSI

SR 520 FILE NO. 7046 SHEET 1 OF 2



SR-520
SEC. 24, T.25 N., R.4E., W.M.
CITY OF MEDINA

- LEGEND**
- IDENTIFIES SECTION, VIEW OR DETAIL
 - TAKEN OR SHOWN ON BRIDGE SHEET 15
 - TAKEN OR SHOWN ON THE SAME SHEET

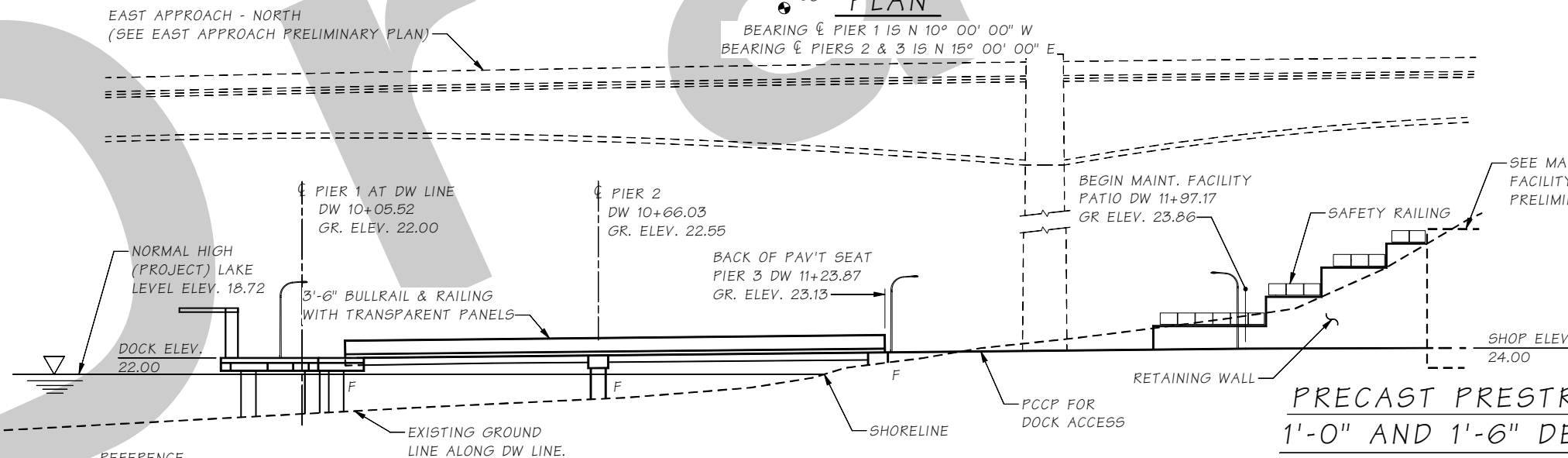
DATUM
NAVD 88

PLAN APPROVED BY:

 BRIDGE AND STRUCTURES ENGINEER

 PROGRAM DIRECTOR

- UTILITIES LEGEND**
- POTABLE WATER
 - COMPRESSED AIR
 - SANITARY SEWER
 - DIESEL LINE



ELEVATION
 GRADE ELEVATIONS SHOWN ARE FINISH GRADES
 AT TOP OF DECK ON DW LINE AND ARE
 EQUAL TO PROFILE GRADE.

PRECAST PRESTRESSED CONCRETE
 1'-0" AND 1'-6" DEEP SLAB GIRDERS
 LIVE LOAD PER AASHTO LRFD GUIDE
 SPECIFICATIONS FOR THE DESIGN
 OF PEDESTRIAN BRIDGES - 2009
 INCLUDING H-10 VEHICLE LOAD

Bridge Design Engr.	M:\W-Team\SR 520 FLOATING BRIDGE\PRELIMINARY PLAN\MAINTENANCE DOCK>window files\LAYOUT.WND	REGION NO.	STATE	FED. AID PROJ. NO.	SHEET NO.	TOTAL SHEETS
Supervisor		10	WASH.			
Designed By		JOB NUMBER				
Checked By						
Detailed By	Lemons, T 12/09					
Bridge Projects Engr.						
Prelim. Plan By	Aldrich, B 12/09					
Architect/Specialist		DATE	REVISION	BY	APPD	

Wed Jun 16 12:27:37 2010

BRIDGE AND STRUCTURES OFFICE



SR 520
 BRIDGE REPLACEMENT & HOV PROGRAM
 FLOATING BRIDGE REPLACEMENT
 PERLIMINARY PLAN
 MAINTENANCE FACILITY LAYOUT

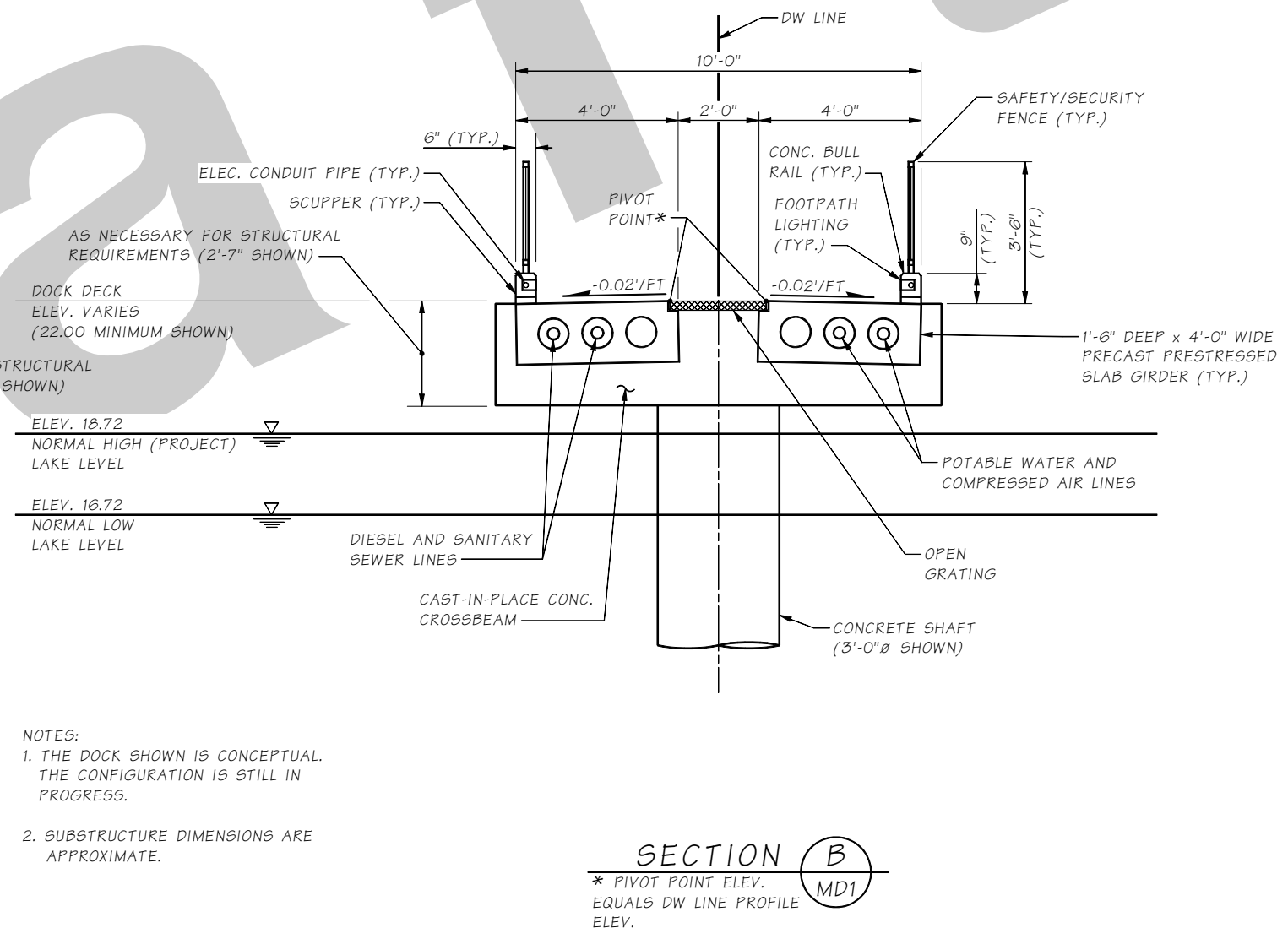
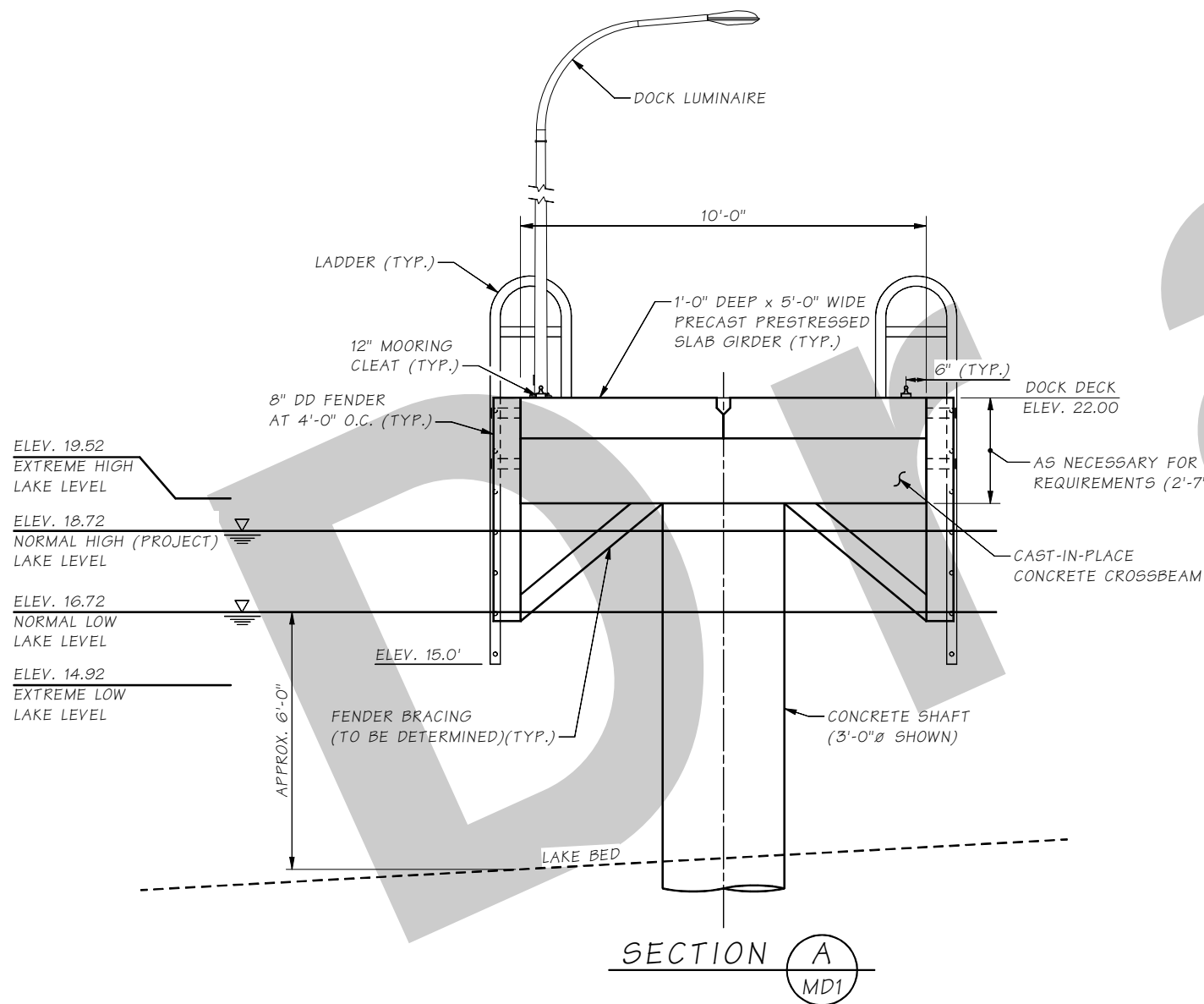
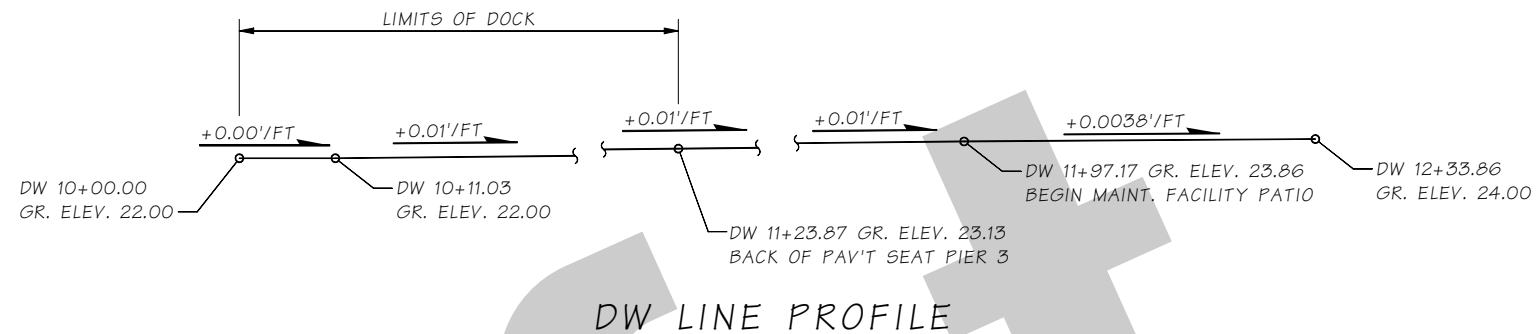
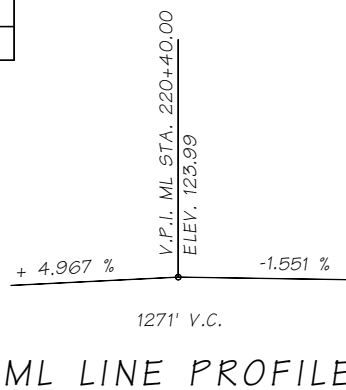
BRIDGE SHEET NO.
MD1
 SHEET
 OF
 SHEETS

C.S. 1700NT ~ PROJ. NO. XL3421 ~ URBAN CORRIDORS OFFICE ~ SR 520 MP 3.89 TO MP 3.95 ~ ALBERT D. ROSELLINI BR. NO 520/6 REPLACEMENT ~ MAINTENANCE FACILITY DOCK

CURVE DATA					
P.I. STATION	Δ	RADIUS	TANGENT	LENGTH	BK. TANGENT BRG.
ML 219+51.85	03°57'24" RT.	11663.00'	402.87'	805.43'	S 76°05'17" E

NOTES TO REGION

- IT IS UNDERSTOOD THAT TYPE, SIZE, AND LOCATION (TS&L) HAVE NOT YET BEEN FINALIZED FOR THE FOLLOWING ITEMS. IT IS ASSUMED THAT THEY WILL BE FINALIZED AND PROVIDED EARLY DURING FINAL DESIGN. DO YOU CONCUR?
 - LUMINARIES AND OTHER LIGHTING
 - R/W LINES
 - LOCATIONS OF BOREHOLES
 - RIPRAP/ SLOPE PROTECTION
- COORDINATION OF ARCHITECTURAL DETAILS WITH THE URBAN DESIGN TEAM IS REQUIRED DURING FINAL DESIGN.



- NOTES:
1. THE DOCK SHOWN IS CONCEPTUAL. THE CONFIGURATION IS STILL IN PROGRESS.
2. SUBSTRUCTURE DIMENSIONS ARE APPROXIMATE.

SECTION B MD1
* PIVOT POINT ELEV. EQUALS DW LINE PROFILE ELEV.

SR 520 FILE NO. 7046 SHEET 2 OF 2

Bridge Design Engr.	M:W-Team\SR 520 FLOATING BRIDGE\PRELIMINARY PLAN\MAINTENANCE DOCK>window files\SECTIONS.WND	REGION NO.	STATE	FED. AID PROJ. NO.	SHEET NO.	TOTAL SHEETS
Supervisor		10	WASH.			
Designed By		JOB NUMBER				
Checked By						
Detailed By	Lemons, T 12/09					
Bridge Projects Engr.						
Prelim. Plan By						
Architect/Specialist	DATE	REVISION	BY	APPD		

BRIDGE AND STRUCTURES OFFICE



SR 520
BRIDGE REPLACEMENT & HOV PROGRAM
FLOATING BRIDGE REPLACEMENT

PRELIMINARY PLAN
SECTIONS

BRIDGE SHEET NO. MD2
SHEET OF SHEETS

C.S. 1700NT ~ PROJ. NO. XL3421 ~ URBAN CORRIDORS OFFICE ~ SR 520 MP 3.89 TO MP 3.95 ~ ALBERT D. ROSELLINI BR. NO 520V8 REPLACEMENT ~ MAINTENANCE FACILITY DOCK