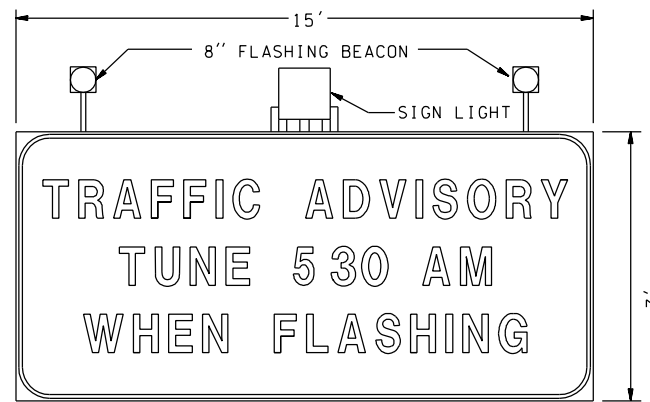


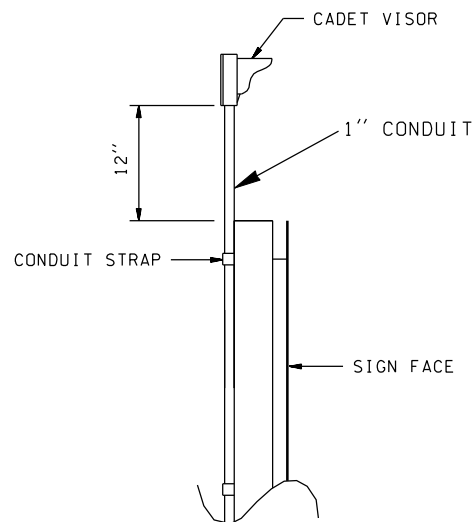
MASTER DETAIL REVISED 03/28/06



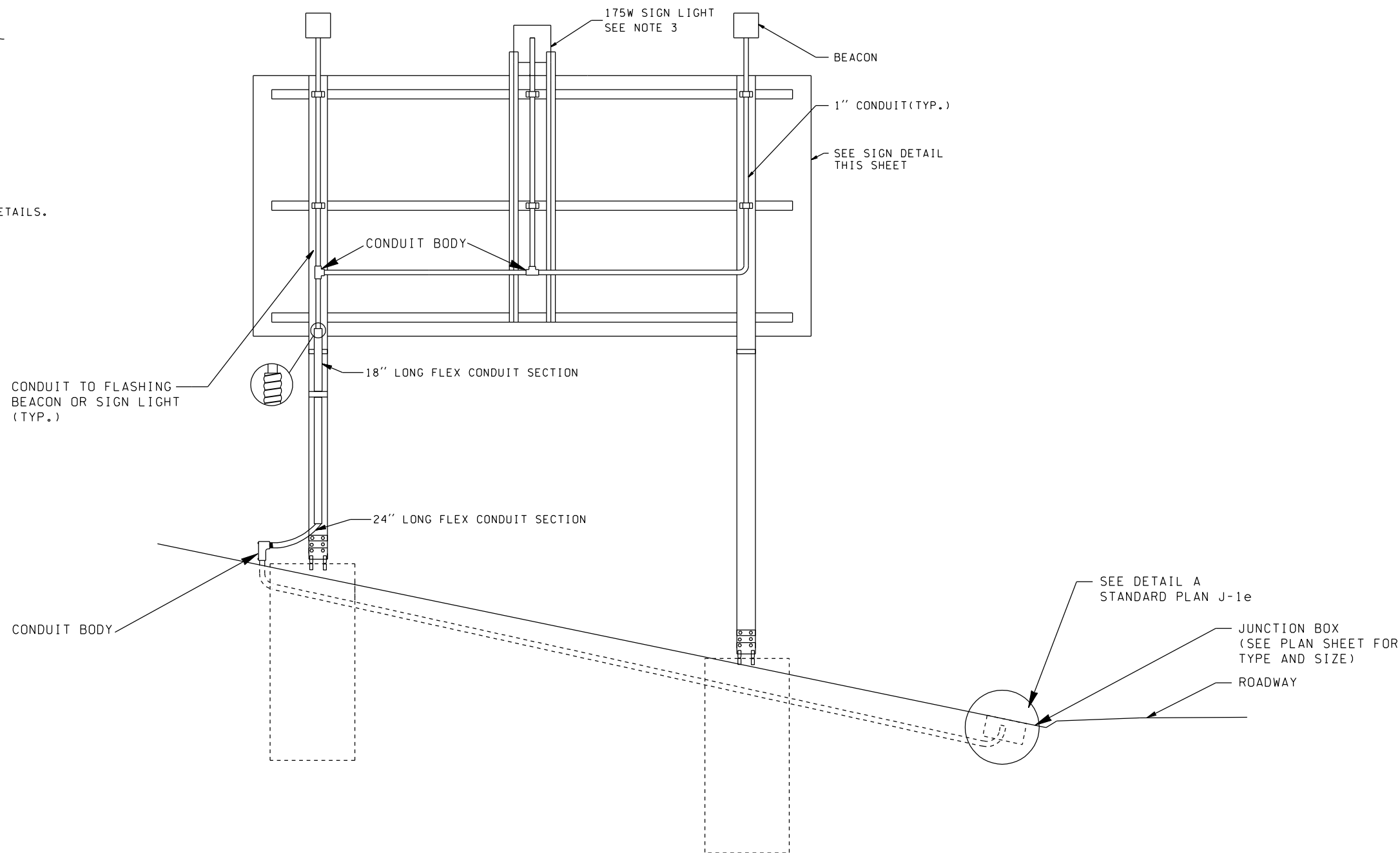
BLACK ON YELLOW
12D LETTERS

NOTES:

1. SEE STANDARD PLAN G-8a AND G-8b FOR POST INSTALLATION DETAILS.
2. SEE SIGN SPECIFICATIONS FOR ADDITIONAL INFORMATION.
3. SEE SIGN DETAIL SHEETS FOR SIGN LIGHT MOUNTING DETAILS. INSTALL TOP MOUNT KIT FOR THE SIGN LIGHT.



BEACON DETAIL



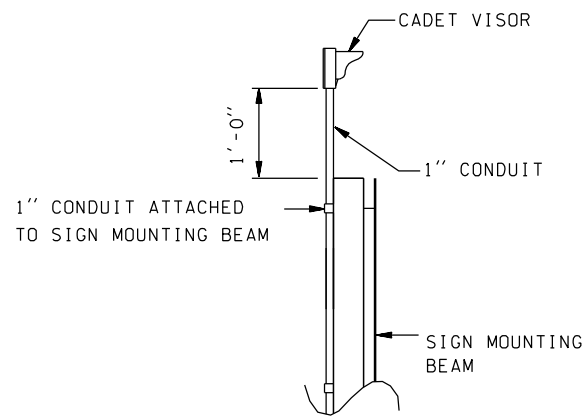
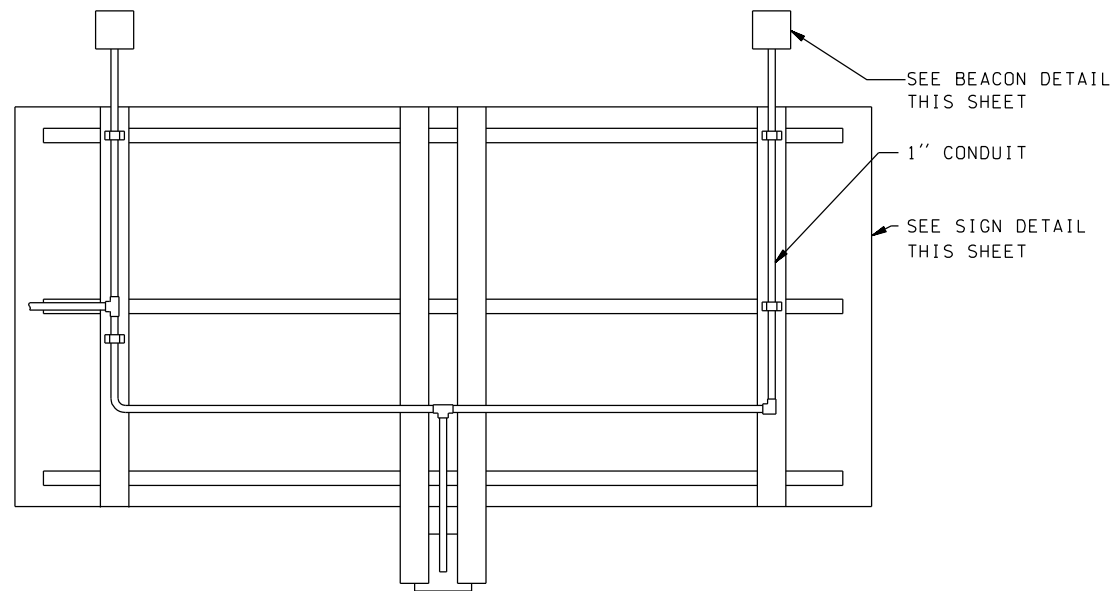
HAR SIGN INSTALLATION DETAILS

NOT TO SCALE

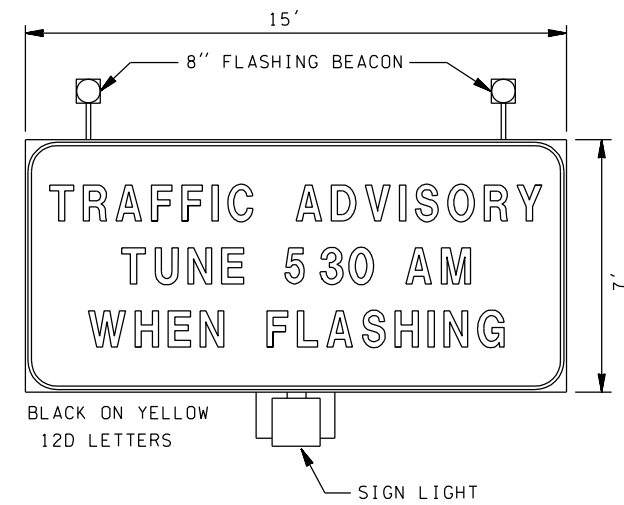
FILE NAME		S:\414126\SCDI\tranp\EXPANDED LEVEL DETAILS\SHAR.DGN		REGION NO.		STATE		FED.AID PROJ.NO.		DATE		DATE		P.E. STAMP BOX		P.E. STAMP BOX		Plot 1	
TIME		2:59:18 PM		10		WASH												SHEET	
DATE		7/1/2009																OF	
PLOTTED BY		tranp																SHEETS	
DESIGNED BY																			
ENTERED BY																			
CHECKED BY																			
PROJ. ENGR.																			
REGIONAL ADM.				REVISION		DATE		BY											



MASTER DETAIL REVISED 03/28/06



BEACON DETAIL



SIGN DETAIL

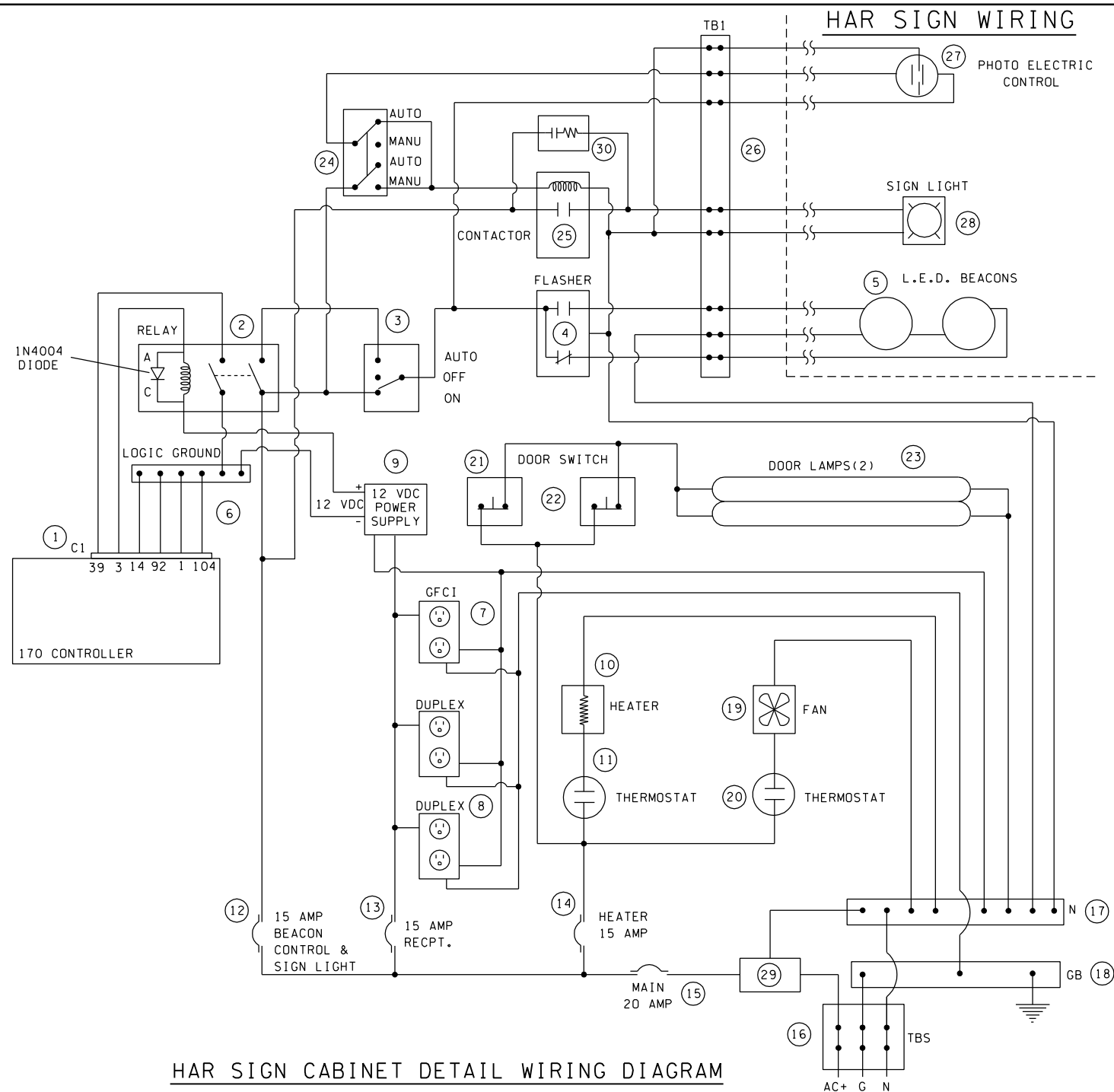
NOTE:
THE SIGN LIGHT SHALL BE CONNECTED AND CONTROLLED BY LIGHTING SYSTEM.

HAR SIGN INSTALLATION DETAILS
(ON SIGN STRUCTURE)

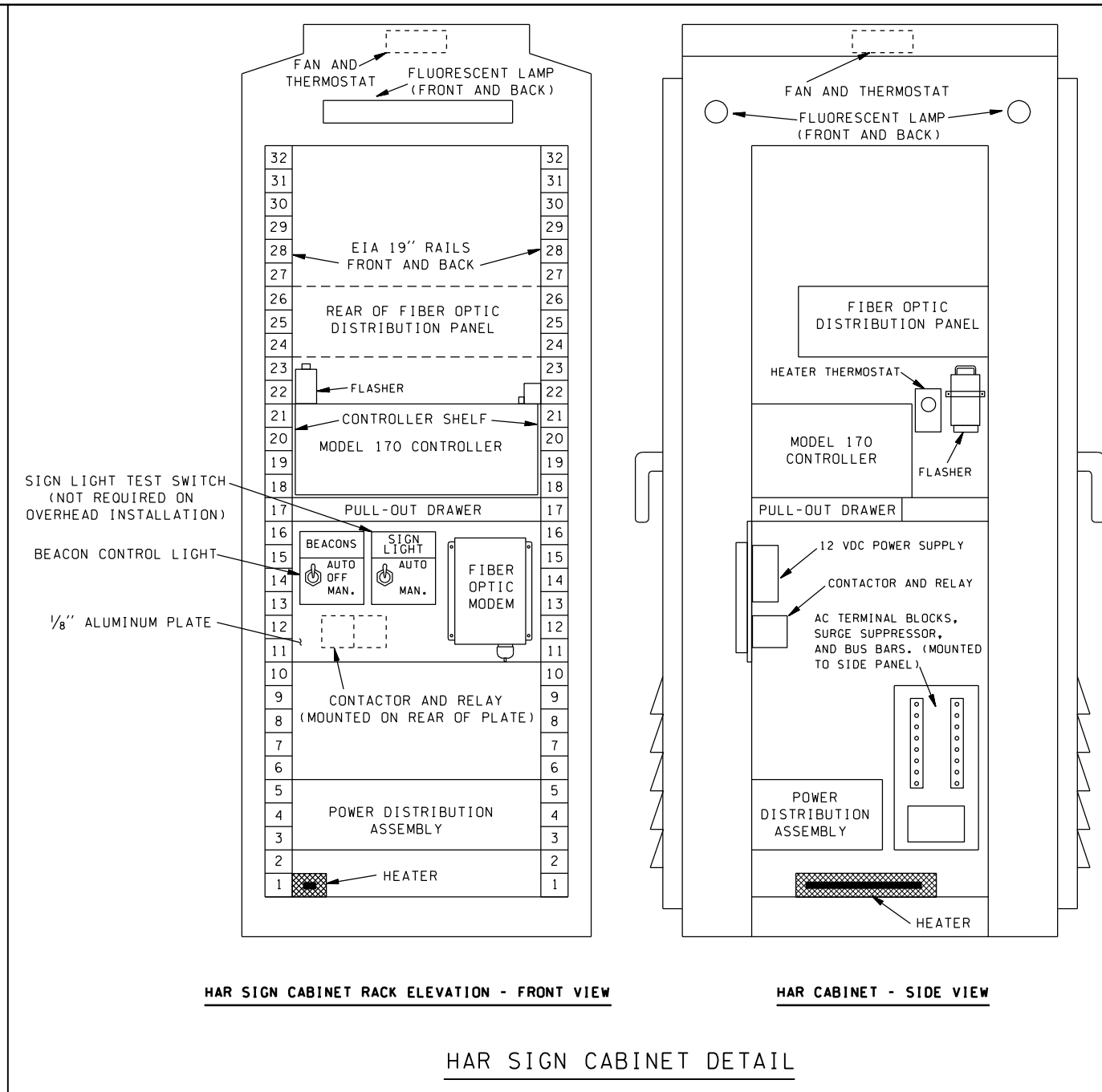
FILE NAME S:\414126\SCDI\tranp\EXPANDED LEVEL DETAILS\HAR.DGN		REGION NO.		STATE	FED.AID PROJ.NO.	Plot 2
TIME 2:59:19 PM		10	WASH			
DATE 7/1/2009		JOB NUMBER				SHEET OF SHEETS
PLOTTED BY tranp		CONTRACT NO.		LOCATION NO.		
DESIGNED BY						
ENTERED BY						
CHECKED BY						
PROJ. ENGR.						
REGIONAL ADM.	REVISION	DATE	BY	P.E. STAMP BOX	DATE	



MASTER DETAIL REVISED 02/22/07



HAR SIGN CABINET DETAIL WIRING DIAGRAM



HAR SIGN CABINET RACK ELEVATION - FRONT VIEW

HAR CABINET - SIDE VIEW

HAR SIGN CABINET DETAIL

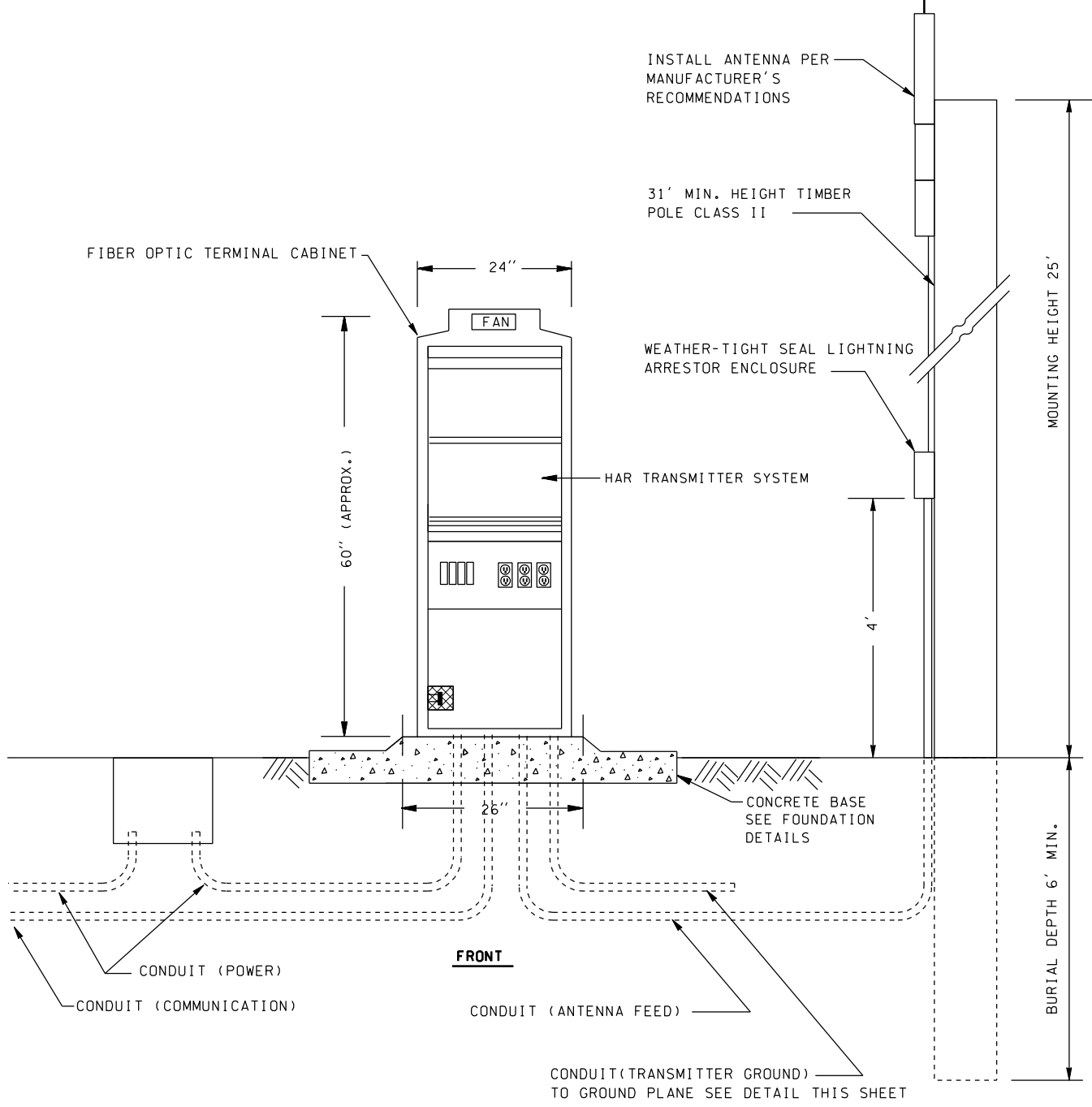
- | | | | |
|--|---|--|--|
| ① 170 CONTROLLER | ⑨ 12VDC LINEAR POWER SUPPLY: POWER-ONE HB12-1.7-A | ⑰ NEUTRAL BUS, COPPER | * ②⑤ 30 AMP CONTACTOR |
| ② DPDT 12V DC 100mA RELAY 10A CONTACTS | ⑩ 100 WATT STRIP HEATER | ⑱ COPPER GROUND BUS | ②⑥ FIELD TERMINAL BLOCK (10 POSITION 20 AMP) |
| ③ DPDT 10A CENTER OFF TOGGLE SWITCH | ⑪ THERMOSTAT, 50°F CLOSURE | ⑲ COOLING FAN | * ②⑦ PHOTO CELL (MOUNTED ON SIGN) |
| ④ FLASHER UNIT | ⑫ 15 AMP BEACON BREAKER | ⑳ THERMOSTAT, 70°F CLOSURE | ②⑧ 175 WATT SIGN LIGHT, FOR OVERHEAD SIGN |
| ⑤ L.E.D. BEACON LAMPS | ⑬ 15 AMP RECEPTACLE BREAKER | ㉑ FRONT DOOR SWITCH (10 A), N.C. | INSTALLATION SEE ILLUMINATION PLANS FOR POWER. |
| ⑥ LOGIC GROUND BUS | ⑭ 15 AMP HEATER BREAKER | ㉒ REAR DOOR SWITCH (10 A), N.C. | ②⑨ SURGE SUPPRESSOR AND FILTER |
| ⑦ GFCI OUTLET DUPLEX RECEPTACLE | ⑮ 20 AMP MAIN BREAKER | ⑳ FRONT AND REAR CABINET LAMP | ③⑩ ITW PAKTRON QUENCHARC 125 VDC QRL 150 OHM |
| ⑧ EIA DUPLEX RECEPTACLE | ⑯ POWER TERMINAL BLOCK | * ②④ DPDT-2 POSITION SIGN LIGHT TEST SWITCH (10 A) | * THESE ITEMS NOT REQUIRED ON OVERHEAD INSTALLATION. |

FILE NAME S:\414126\SCDI\tranp\EXPANDED LEVEL DETAILS\SHAR.DGN		REGION NO. STATE		FED.AID PROJ.NO.		DATE		DATE		Plot 3	
TIME 2:59:19 PM		10 WASH				P.E. STAMP BOX		P.E. STAMP BOX		SHEET	
DATE 7/1/2009		JOB NUMBER		LOCATION NO.						OF	
PLOTTED BY tranp		CONTRACT NO.								SHEETS	
DESIGNED BY		BY									
ENTERED BY		DATE									
CHECKED BY											
PROJ. ENGR.											
REGIONAL ADM.		REVISION		DATE							



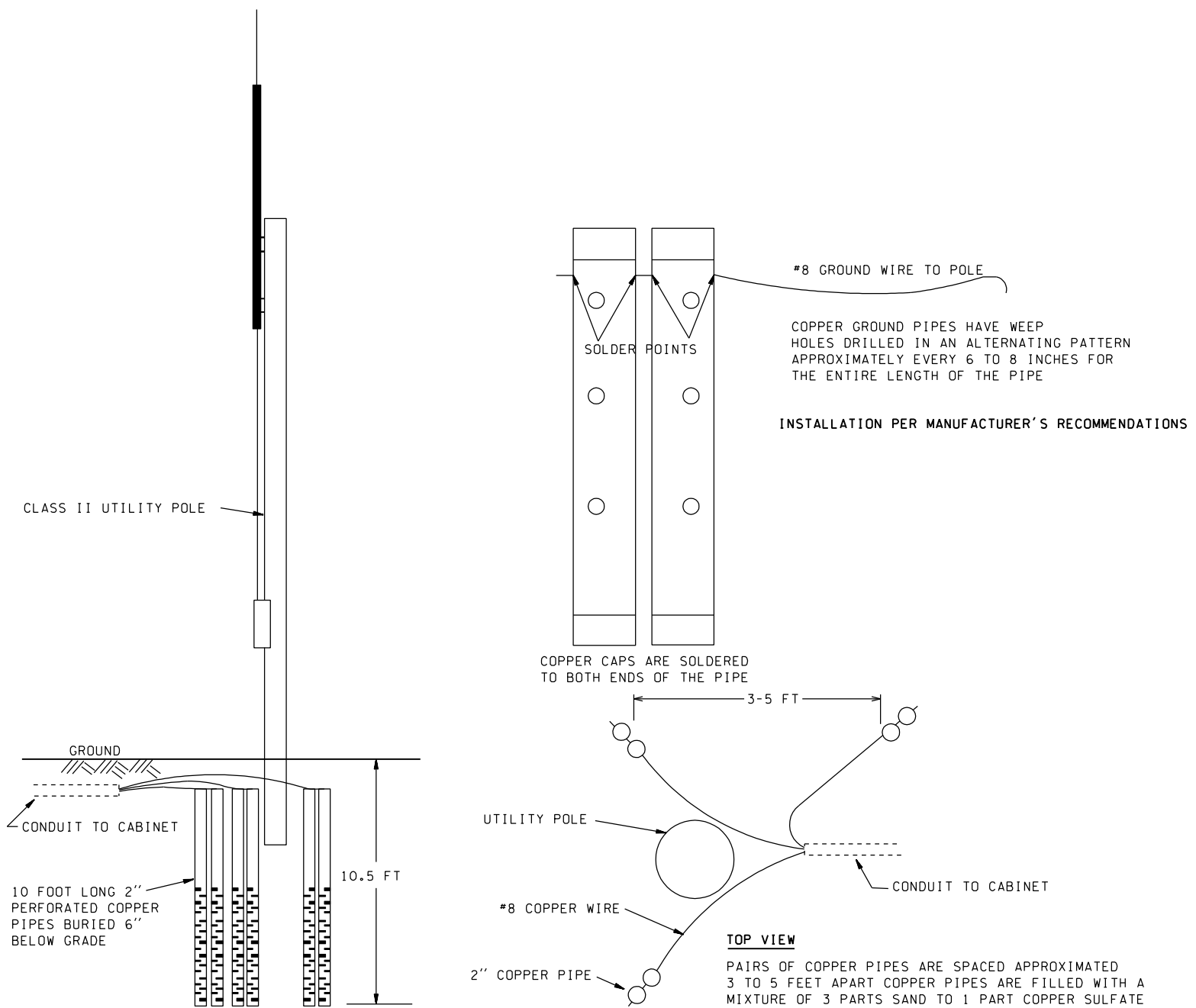
NOTES:

1. THE ANTENNA SHALL BE CENTER OR BASE LOADED VERTICAL FEATURING A LOW-LOSS, EMBEDDED WEATHERPROOF LOADING COIL.
2. THE GROUNDPLANE SHALL BE 120' RADIAL AND BURIED 1' UNDERGROUND OR TRIAD GROUND SYSTEM PER MANUFACTURER'S RECOMMENDATIONS AND SPECIAL PROVISIONS.



HIGHWAY ADVISORY RADIO TRANSMITTER

NOT TO SCALE



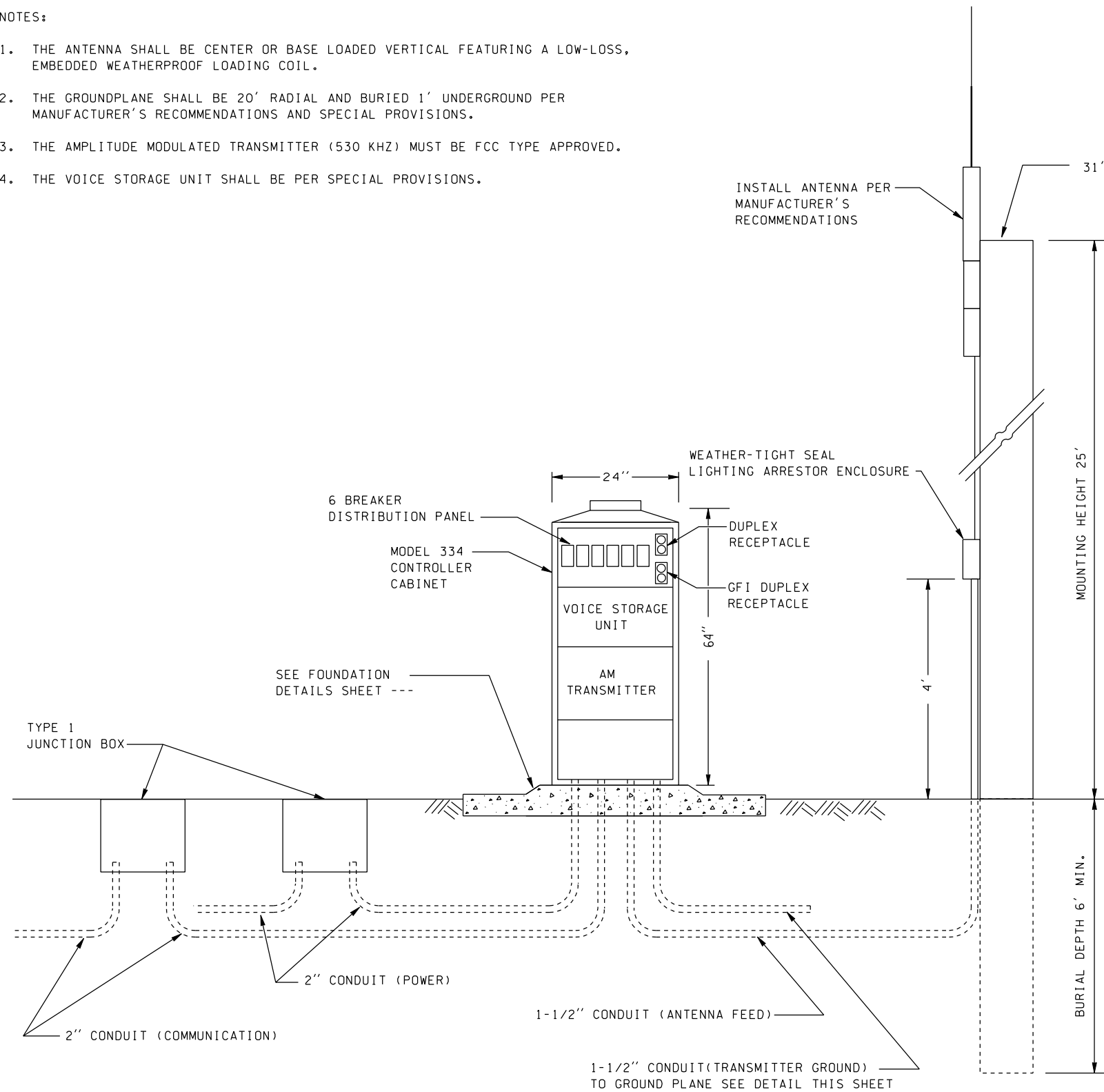
HIGHWAY ADVISORY RADIO TRANSMITTER WITH TRIAD GROUND SYSTEM

FILE NAME S:\414126\SCDI\tranp\EXPANDED LEVEL DETAIL\SHAR.DGN		REGION NO. STATE		FED.AID PROJ.NO.		DATE		PLOT 11	
TIME 2:59:19 PM		10 WASH				DATE		PLAN REF NO	
DATE 7/1/2009		JOB NUMBER				DATE		SHEET	
PLOTTED BY tranp		CONTRACT NO.		LOCATION NO.		DATE		OF	
DESIGNED BY						DATE		SHEETS	
ENTERED BY						DATE			
CHECKED BY						DATE			
PROJ. ENGR.						DATE			
REGIONAL ADM.		REVISION		DATE BY		DATE			



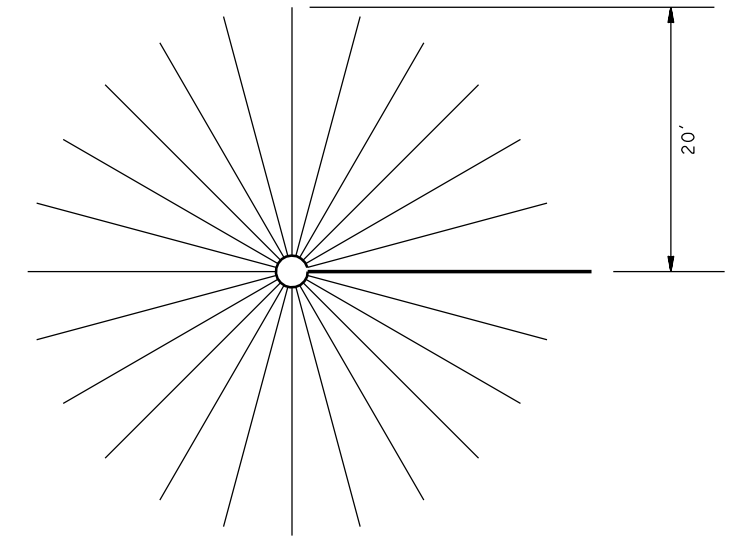
NOTES:

1. THE ANTENNA SHALL BE CENTER OR BASE LOADED VERTICAL FEATURING A LOW-LOSS, EMBEDDED WEATHERPROOF LOADING COIL.
2. THE GROUNDPLANE SHALL BE 20' RADIAL AND BURIED 1' UNDERGROUND PER MANUFACTURER'S RECOMMENDATIONS AND SPECIAL PROVISIONS.
3. THE AMPLITUDE MODULATED TRANSMITTER (530 KHZ) MUST BE FCC TYPE APPROVED.
4. THE VOICE STORAGE UNIT SHALL BE PER SPECIAL PROVISIONS.

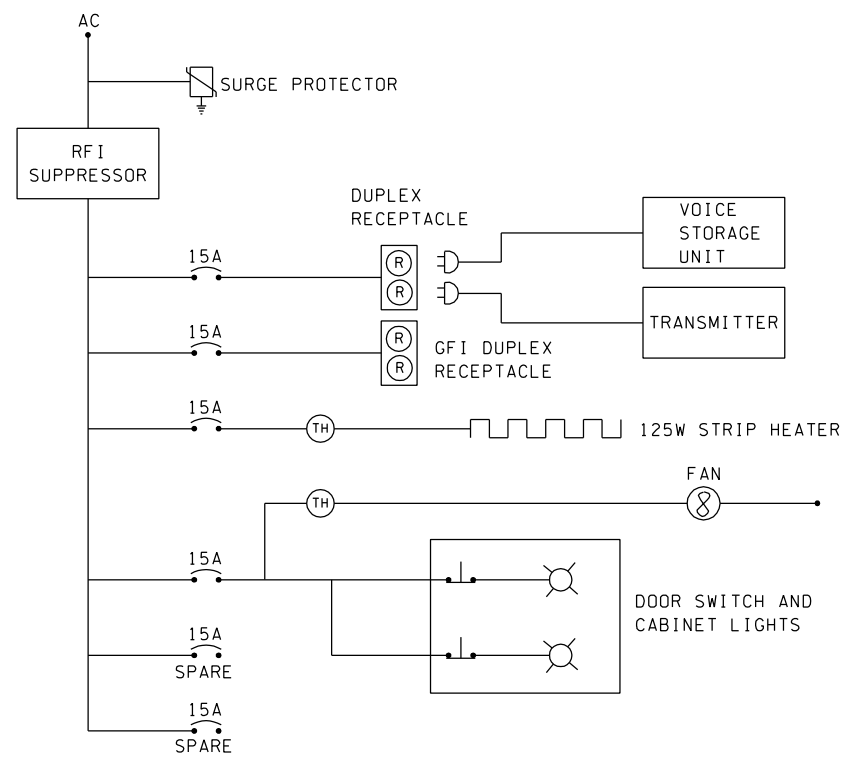
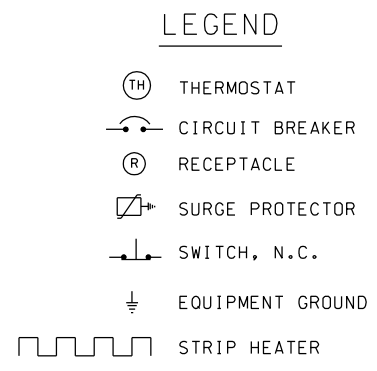


HIGHWAY ADVISORY RADIO TRANSMITTER

NOT TO SCALE



GROUNDPLANE RADII PATTERN



CABINET ONE LINE DIAGRAM - POWER

FILE NAME S:\414126\SCDI\tranp\EXPANDED LEVEL DETAILS\SHAR.DGN		REGION NO.		STATE	FED.AID PROJ.NO.	DATE	DATE	Washington State Department of Transportation	Plot 12
TIME 2:59:20 PM	DATE 7/1/2009	10	WASH		PLAN REF NO				
PLOTTED BY tranp	DESIGNED BY	JOB NUMBER							SHEET
ENTERED BY	CHECKED BY	CONTRACT NO.			LOCATION NO.				OF
PROJ. ENGR.	REVISION	DATE	BY			P.E. STAMP BOX	P.E. STAMP BOX		SHEETS