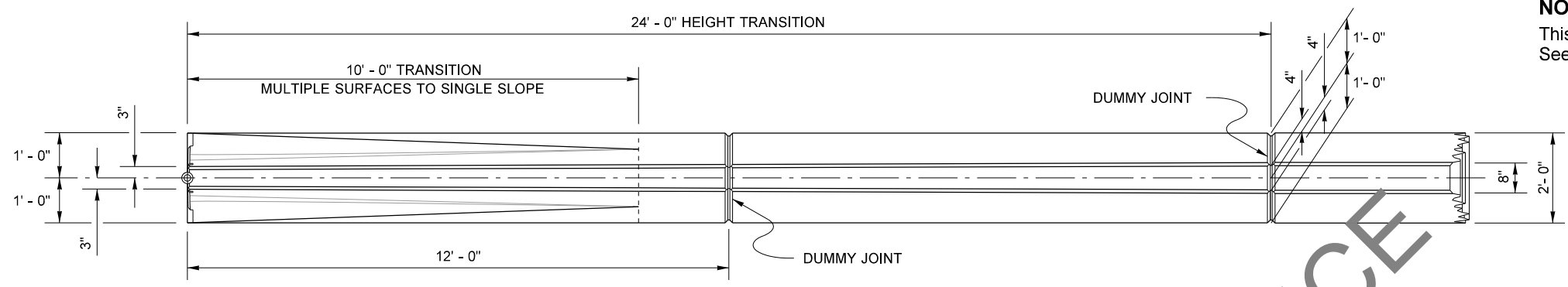
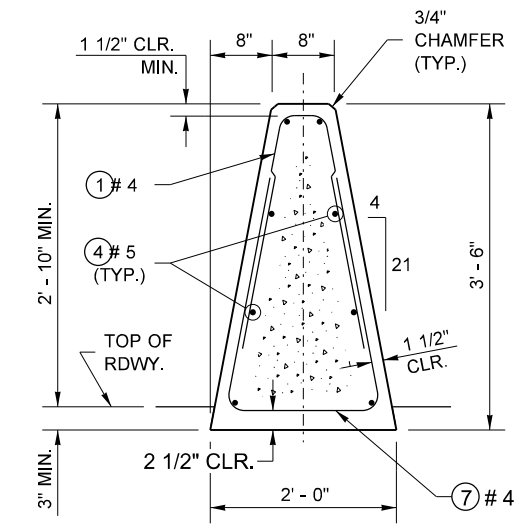


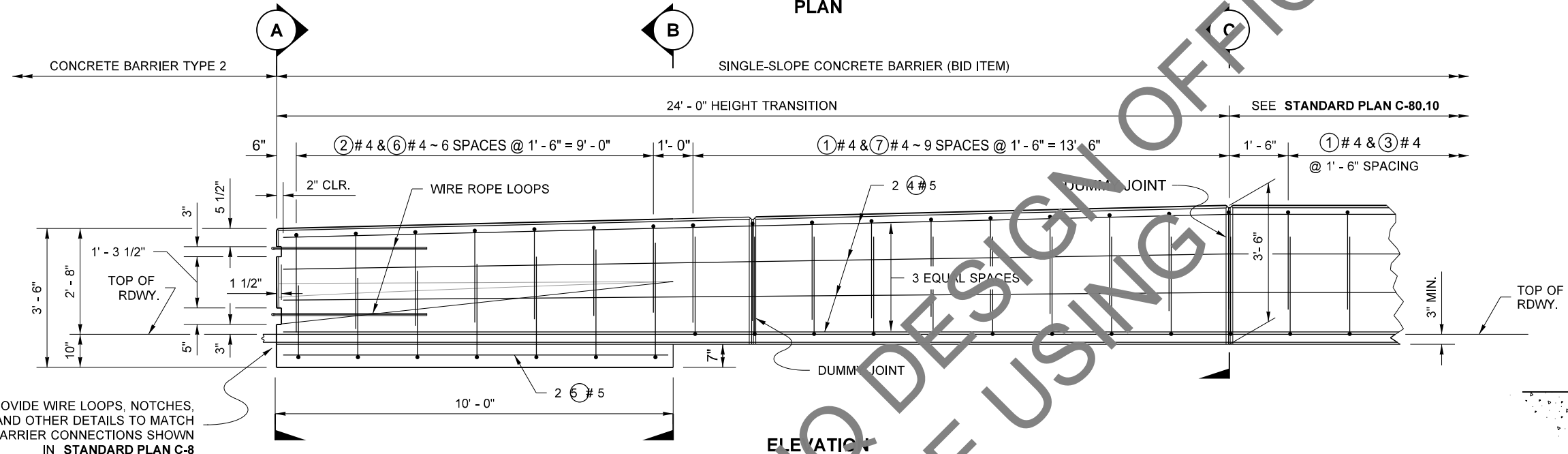
**NOTE**  
 This plan is for transitions to Precast Concrete Barrier Type 2 only.  
 See Contract for transitions to other barrier shapes and bridge rails.



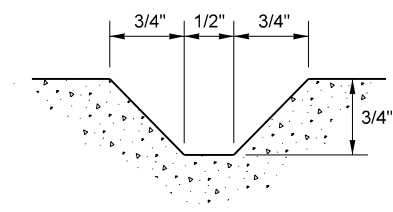
**PLAN**



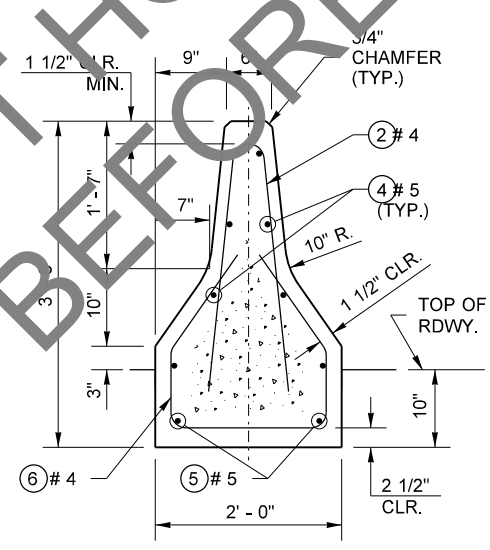
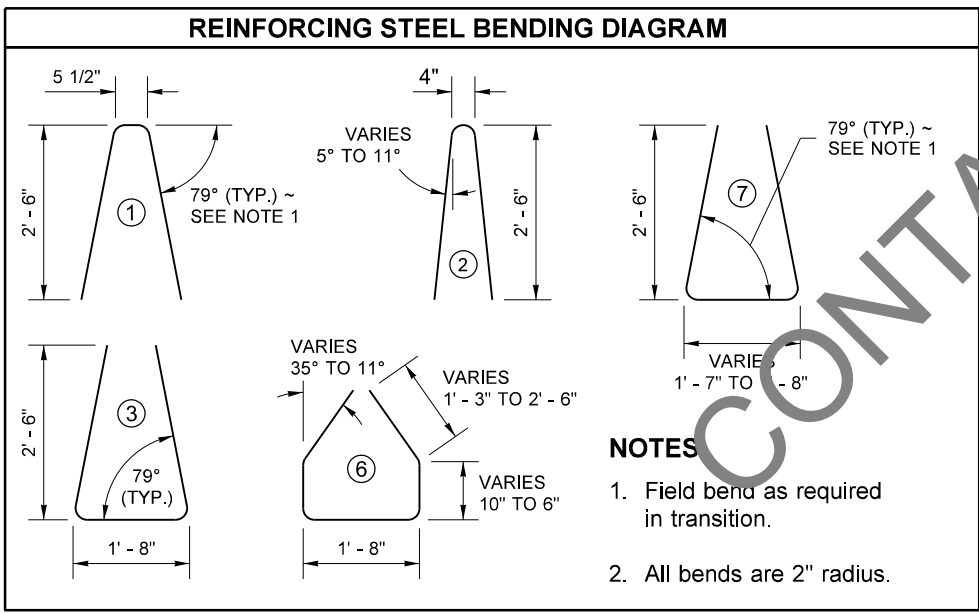
**SECTION C**



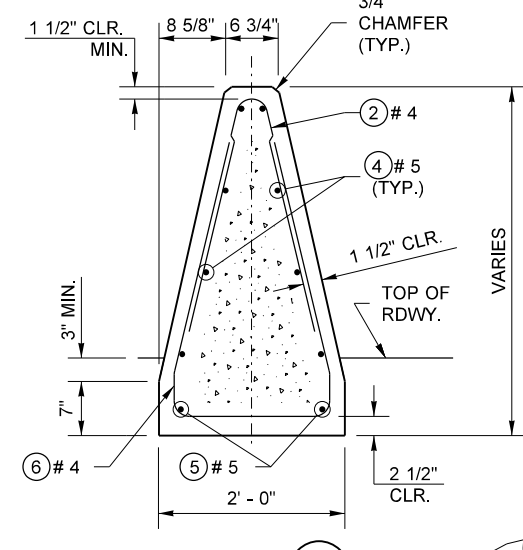
**ELEVATION**



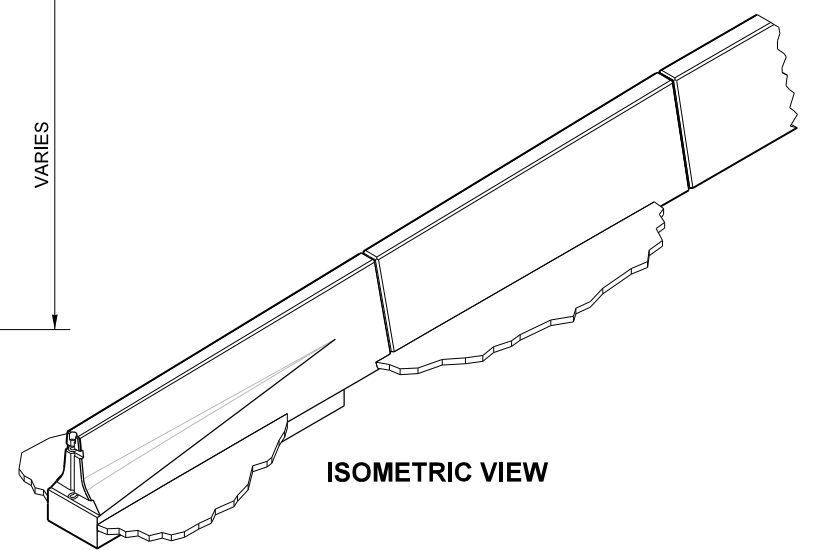
**DUMMY JOINT**



**SECTION A**



**SECTION B**



**ISOMETRIC VIEW**

FILE NAME: S:\Design R P & S\4-Standards\2-Plan Sheet Library\01-Master PSL(TB) Traffic Barrier(TB-C) conversions 2022\TB-114(c80.50)_e.dgn		REGION NO. STATE		FED.AID PROJ.NO.				<b>CONCRETE BARRIER TRANSITION          TYPE 2 TO CIP SINGLE SLOPE</b>		PLAN REF NO	
TIME: 2:32:23 PM	DATE: 11/9/2022	10	WASH							TB-114	
PLOTTED BY: liddelf	DESIGNED BY:	ENTERED BY:	CHECKED BY:	PROJ. ENGR.	REGIONAL ADM.	REVISION	DATE	BY	SHEET		
									1 OF 1 SHEETS		