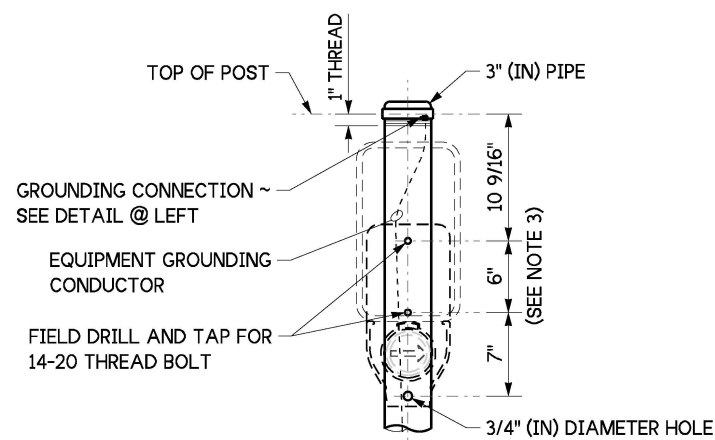


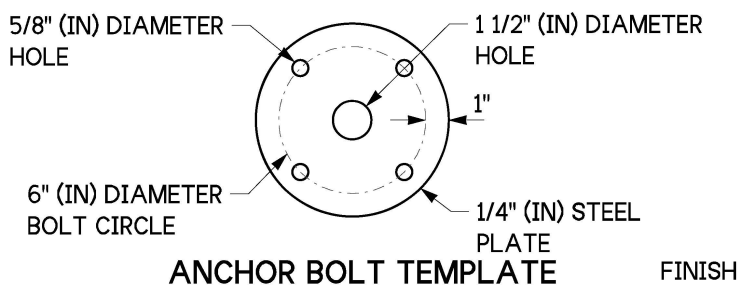
**GROUNDING CONNECTION DETAIL**



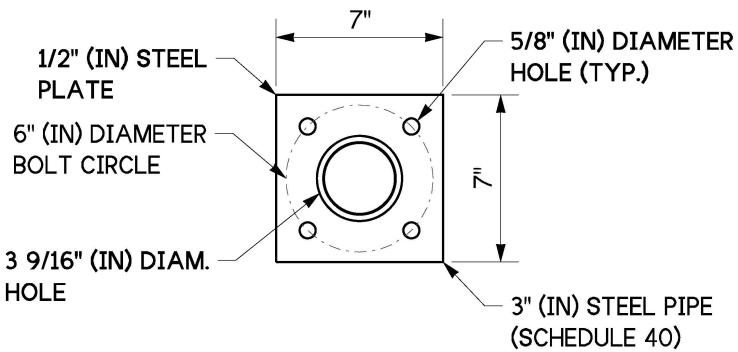
**POST DETAIL**

**NOTES**

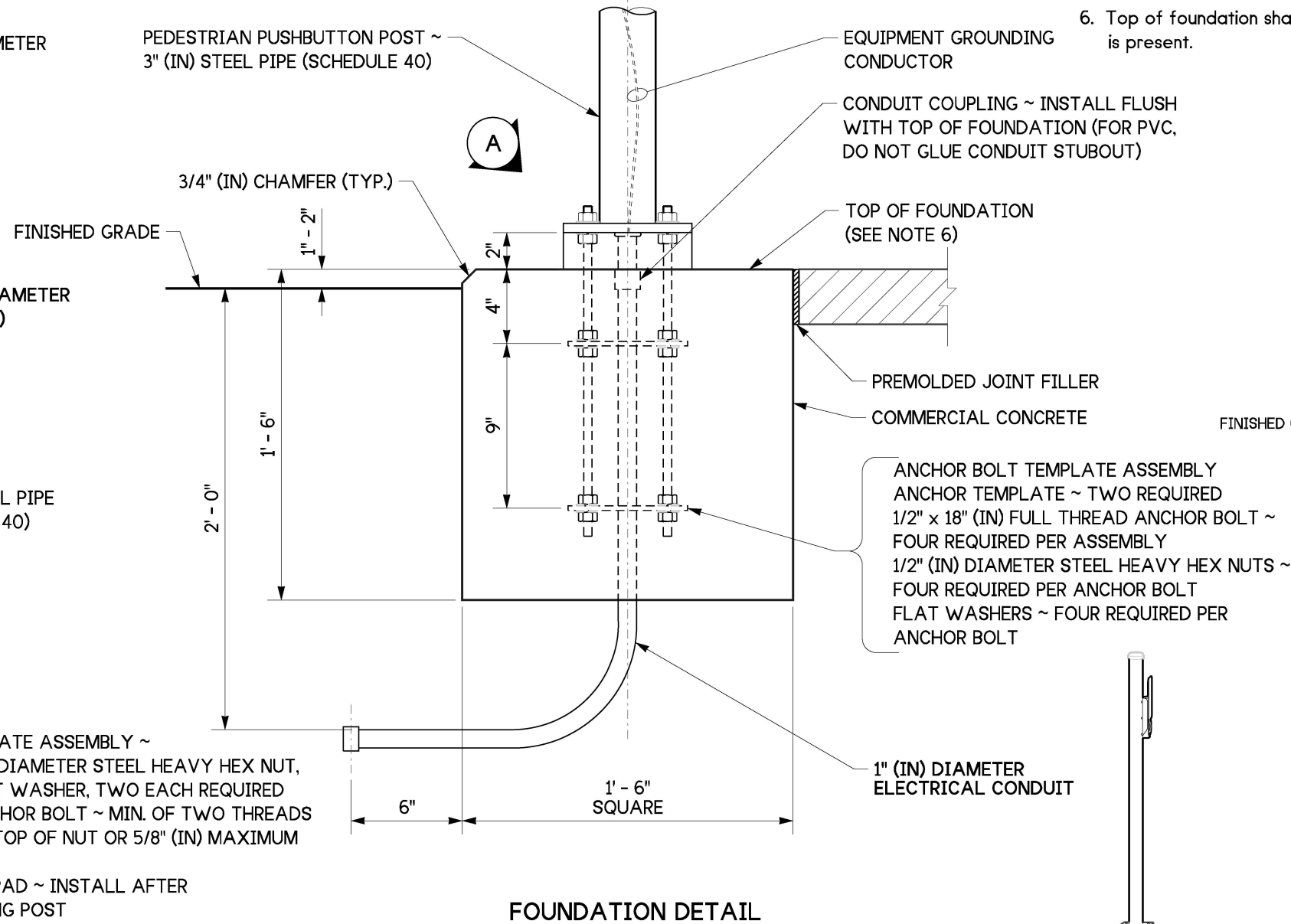
1. See Standard Plan J-20.26 for Accessible Pedestrian Pushbutton details.
2. Where shown in the plans, install plaque (R10-32P) "PUSH BUTTON FOR 2 SECONDS FOR EXTRA CROSSING TIME" above the Accessible Pedestrian Signal (APS) assembly. Add 14" (in) to post height to accommodate plaque and leave a 2" (in) space between signs.
3. Mounting distances vary between manufacturers. See manufacturer's recommendations for mounting information.
4. Junction Box serving the Standard shall preferably be located 5' - 0" (10' - 0" Max.) from the post.
5. Two button installation may require adaptor(s).
6. Top of foundation shall be flush with top of adjacent sidewalk, or road surface if no sidewalk is present.



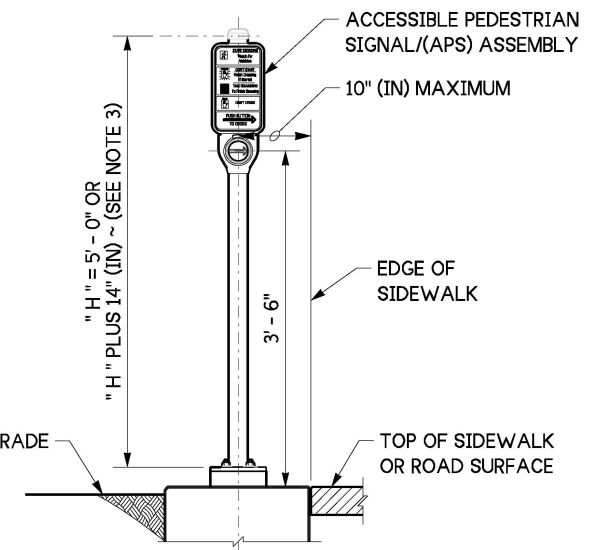
**ANCHOR BOLT TEMPLATE**



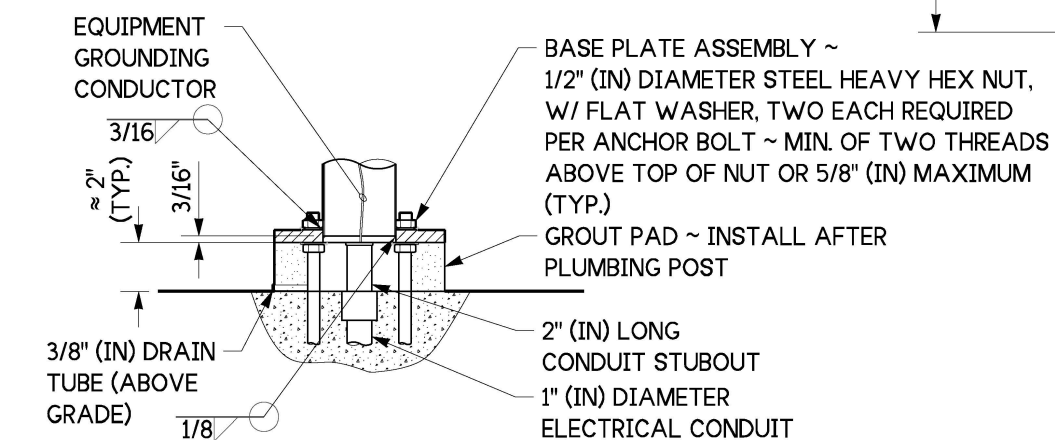
**BASE PLATE DETAIL**



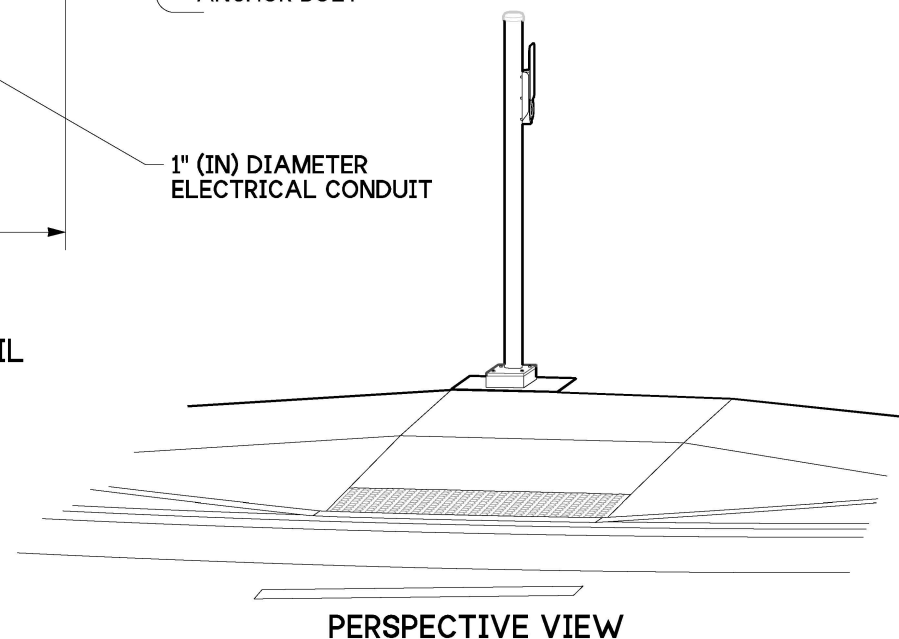
**FOUNDATION DETAIL**



**ELEVATION**



**DETAIL A**



Sep 29, 2023

**ACCESSIBLE PEDESTRIAN PUSHBUTTON POST (PPB) AND FOUNDATION**

**STANDARD PLAN J-20.10-05**

SHEET 1 OF 1 SHEET

APPROVED FOR PUBLICATION

*Mark A. Davis*

Oct 4, 2023

STATE DESIGN ENGINEER

