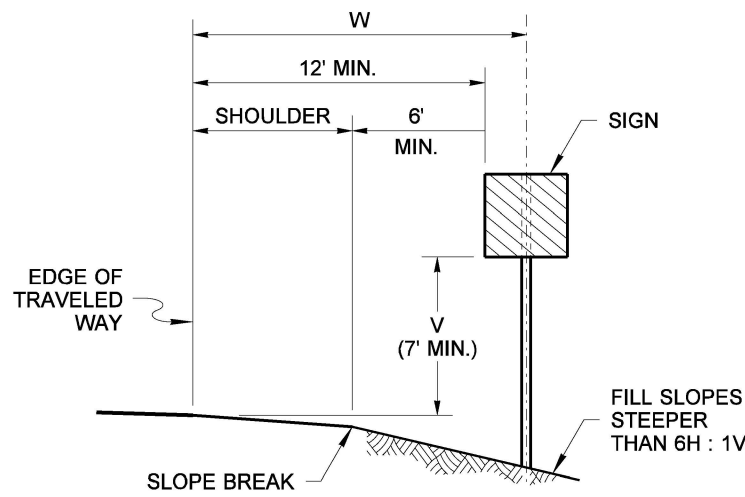
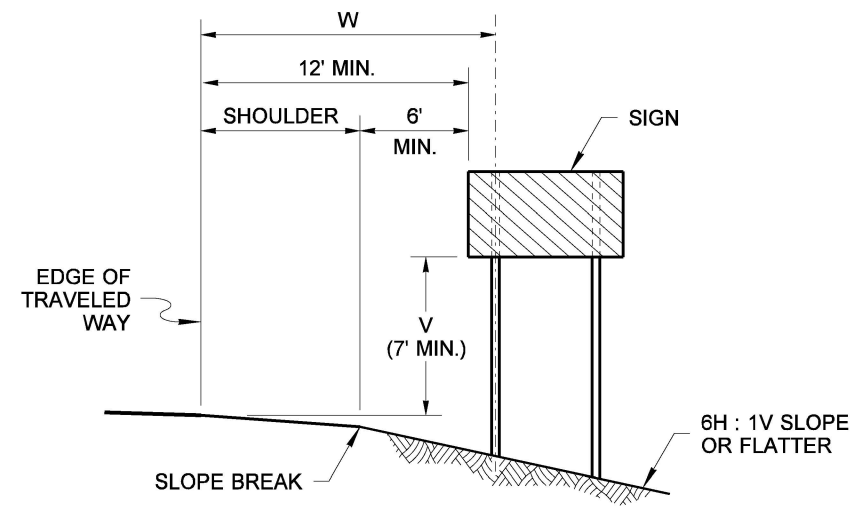


SIGN INSTALLATION IN FILL SECTION

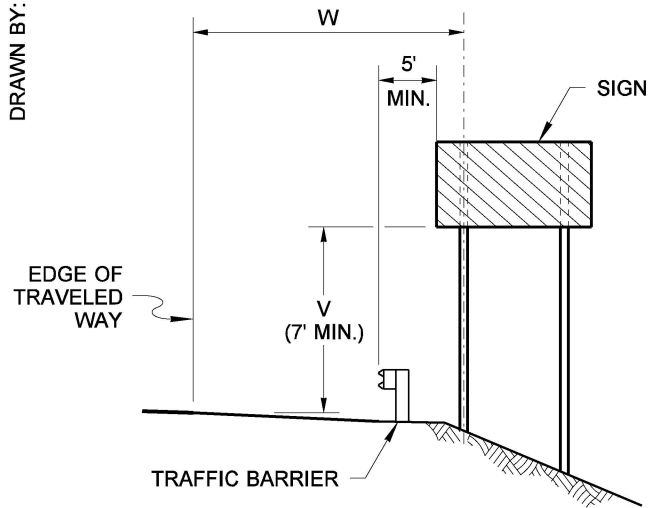


SIGN INSTALLATION ON STEEP FILL SLOPES

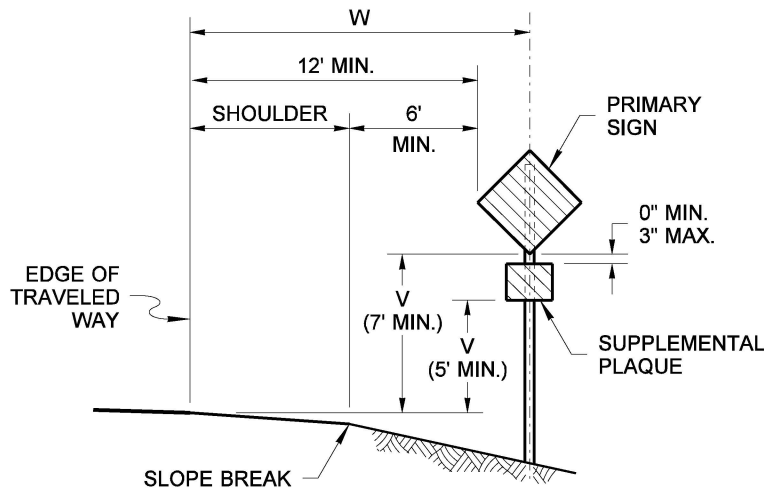


MULTIPLE SIGN POST INSTALLATION IN FILL SECTION

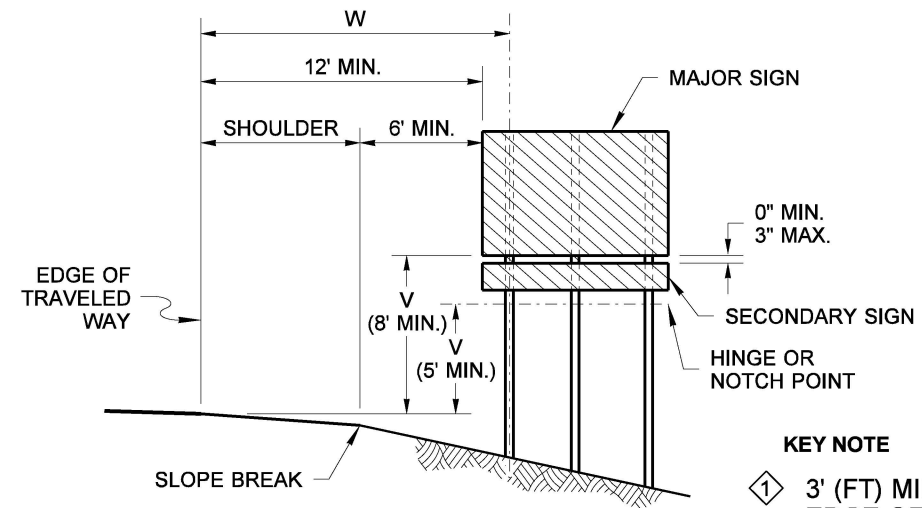
DRAWN BY: FERN LIDDELL



SIGN INSTALLATION BEHIND TRAFFIC BARRIER

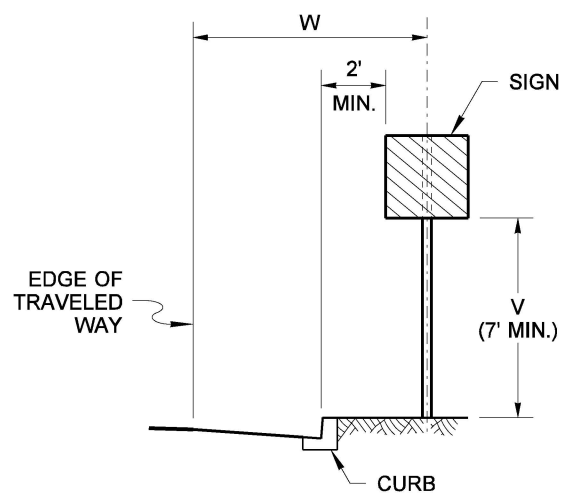


SIGN WITH SUPPLEMENTAL PLAQUE INSTALLATION IN FILL SECTION

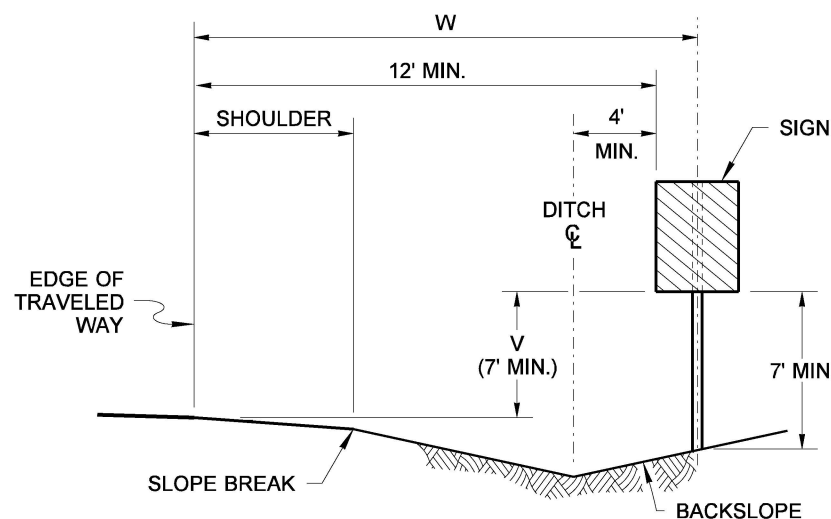


GUIDE OR DIRECTIONAL SIGN WITH SECONDARY SIGN INSTALLATION ON EXPRESSWAYS AND FREEWAYS

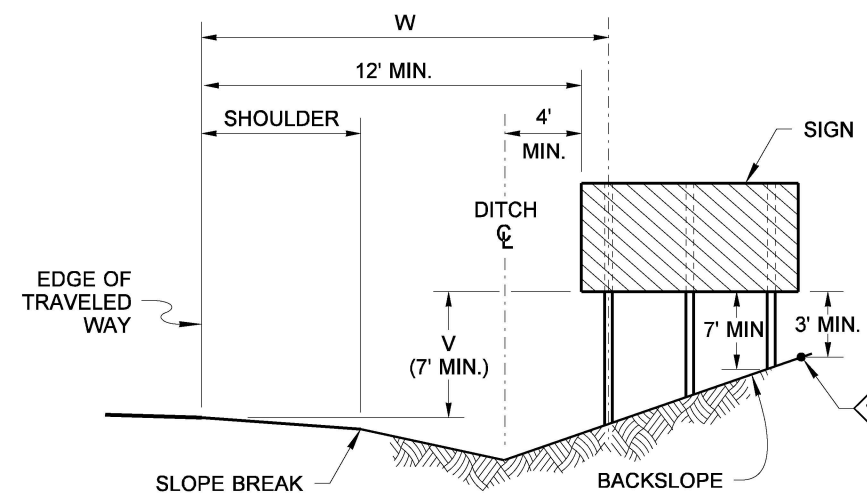
KEY NOTE
 ① 3' (FT) MIN. FROM ANY POINT ALONG BOTTOM EDGE OF SIGN PANEL TO THE GROUND



SIGN INSTALLATION IN CURB SECTION



SIGN INSTALLATION IN DITCH SECTION



MULTIPLE SIGN POST INSTALLATION IN DITCH SECTION

NOTES

1. Refer to the Sign Specification Sheet of the Contract for the 'V' and 'W' distances.
2. The minimum vertical distance from the bottom of the sign to the ground shall not be less than 7' (ft) for signs located within the Design Clear Zone.



Aug 20, 2021

GROUND MOUNTED SIGN PLACEMENT

STANDARD PLAN G-20.10-03

SHEET 1 OF 1 SHEET

APPROVED FOR PUBLICATION

[Signature]

Aug 20, 2021

STATE DESIGN ENGINEER

Washington State Department of Transportation