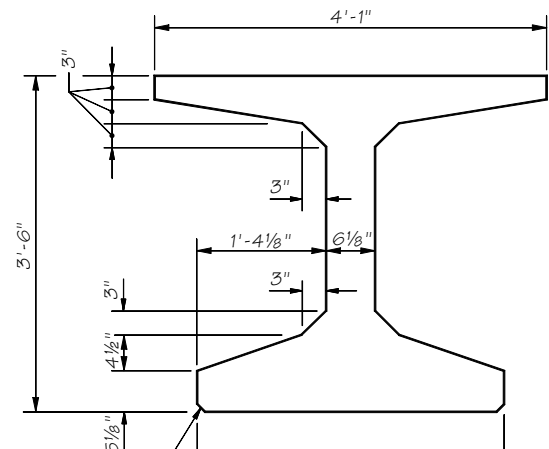
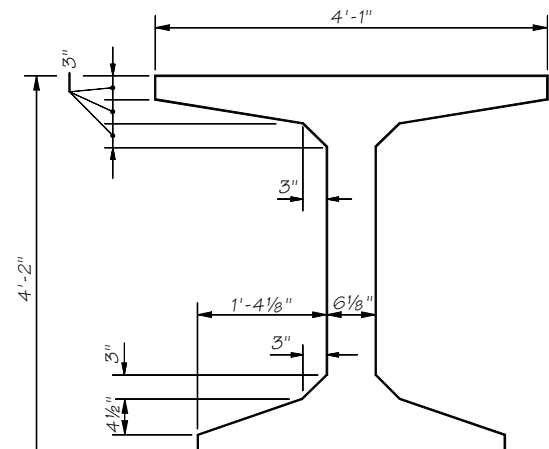


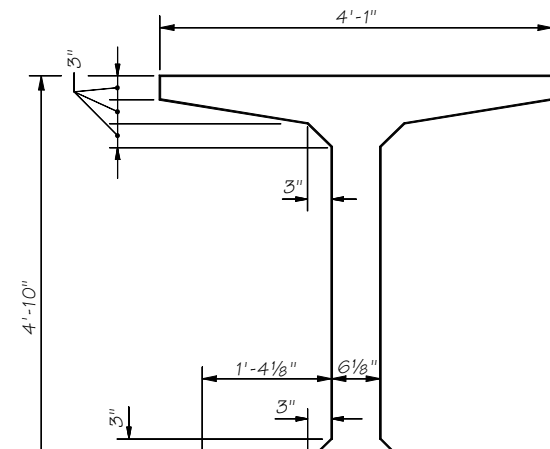
WF36G



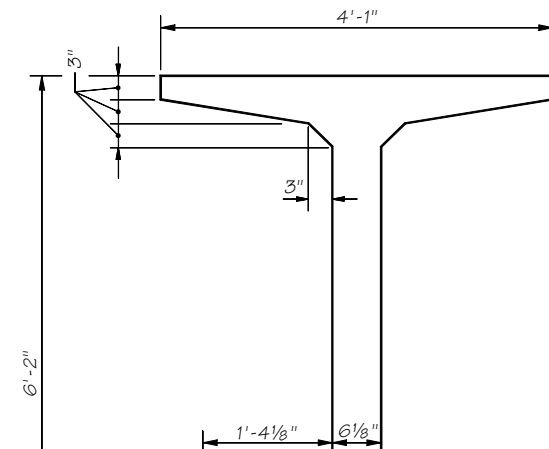
WF42G



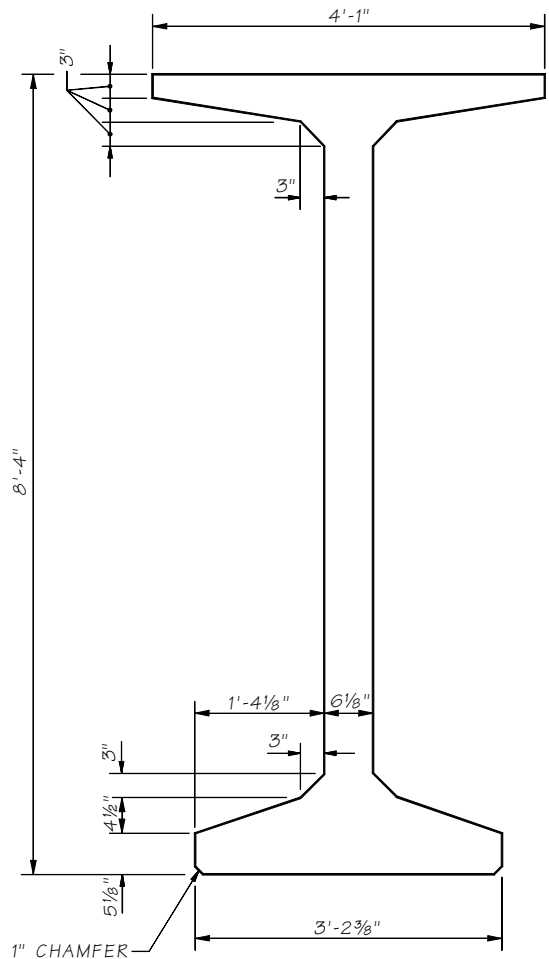
WF50G



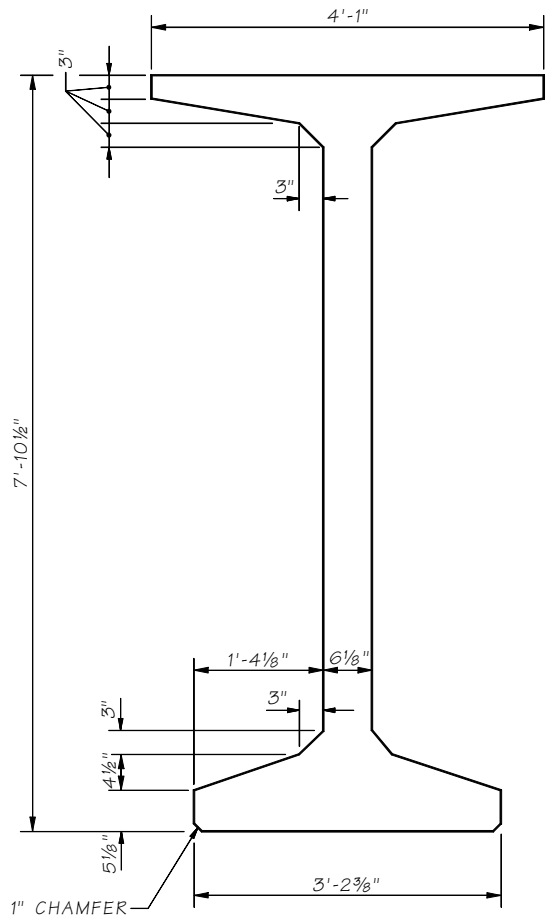
WF58G



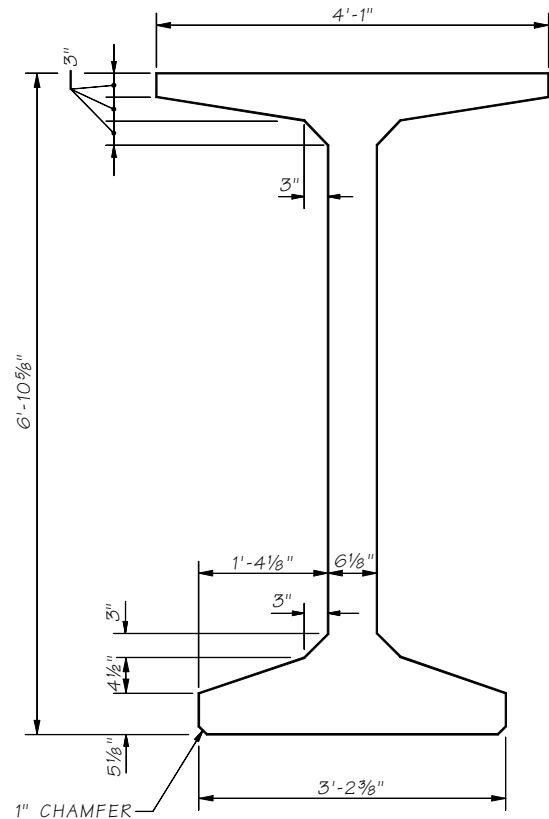
WF66G



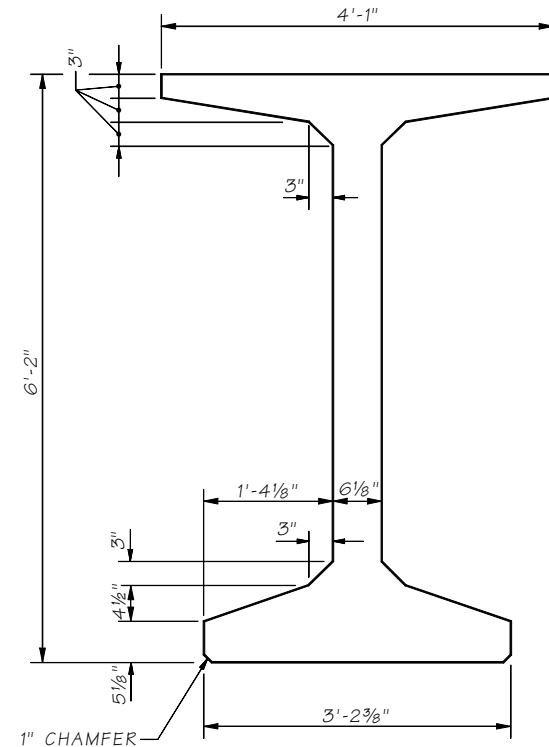
WF100G



WF95G



WF83G



WF74G

PRECAST PRESTRESSED WIDE FLANGE GIRDERS

SR JOB NO. SHEET

5.0-A1-2

Bridge Design Engr.	C:\Design Memos for Web\2009\14-2009\standard wf girders.man				REGION NO.	STATE	FED. AID PROJ. NO.	SHEET NO.	TOTAL SHEETS
Supervisor		10	WASH.						
Designed By									
Checked By									
Detailed By									
Bridge Projects Engr.									
Prelim. Plan By									
Architect/Specialist	DATE	REVISION	BY	APPD					

Fri Oct 23 07:42:57 2009

BRIDGE AND STRUCTURES OFFICE



STANDARD PRESTRESSED CONCRETE GIRDERS

WIDE FLANGE GIRDER SECTIONS

BRIDGE SHEET NO. OF SHEETS