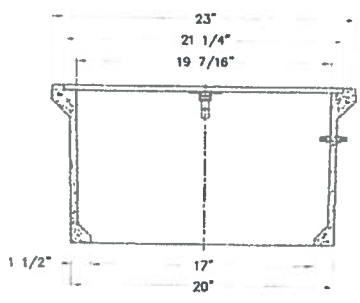
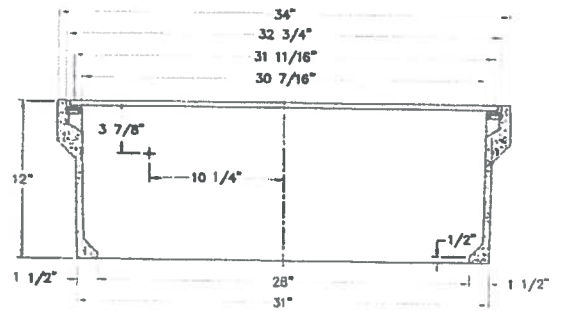
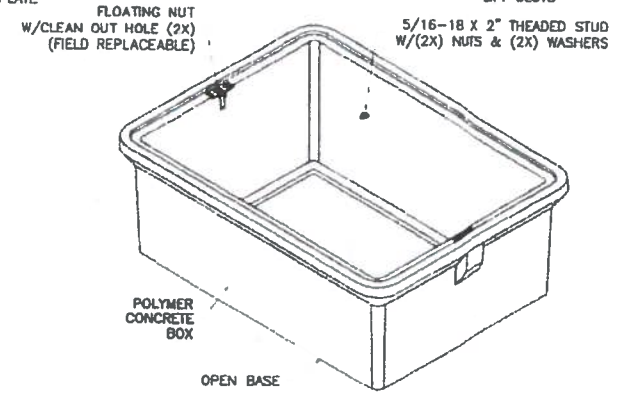
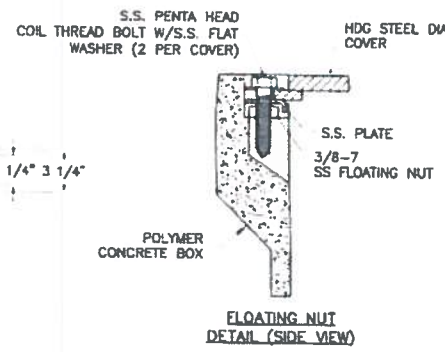
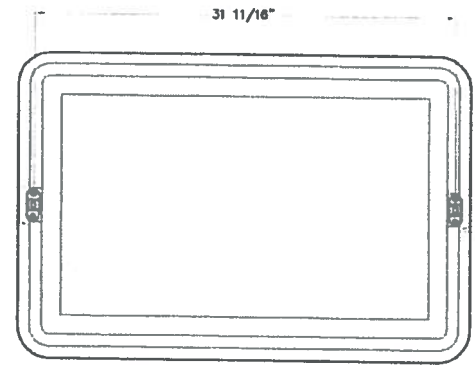
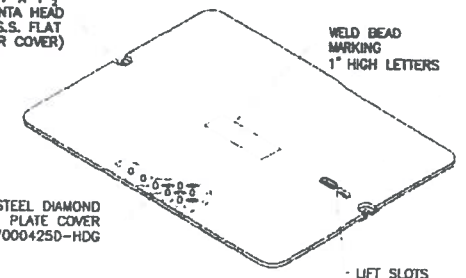
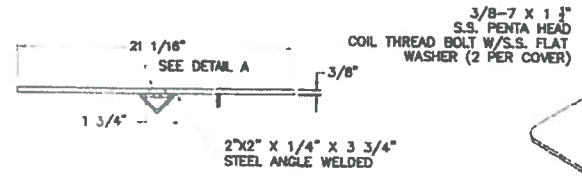
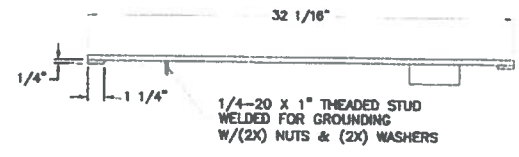
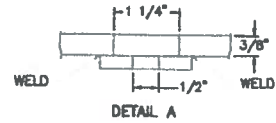
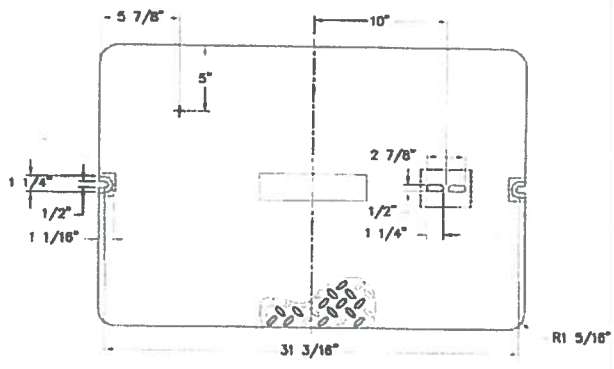
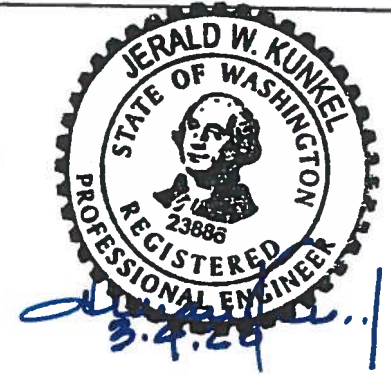


APPROVED AS NOTED

Washington State Department of Transportation
 HQ Traffic Operations Office
 BY: *[Signature]* DATE: 3/13/2020



**NOTE: BOX PART NUMBER STAMP SHALL READ:
 TYPE 2 -A600425A**

WSDOT TYPE 2

LOADING:
 ANSI/SCTE 77 TIER 15 LOADING &
 22,500 lbs. OVER 10" X 10" AREA

A6-0425AD-HDG WSDOT

DIAMOND PLATE HOT DIPPED GALVANIZED COVER
 BOX DIVIDER OPTION AVAILABLE

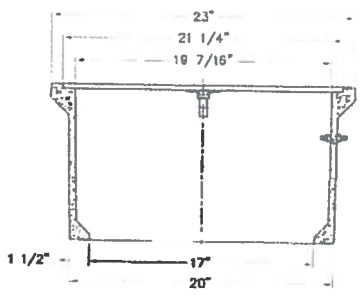
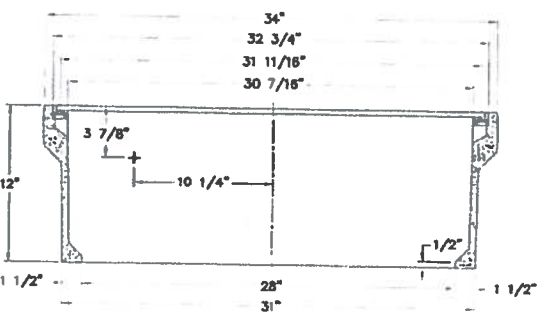
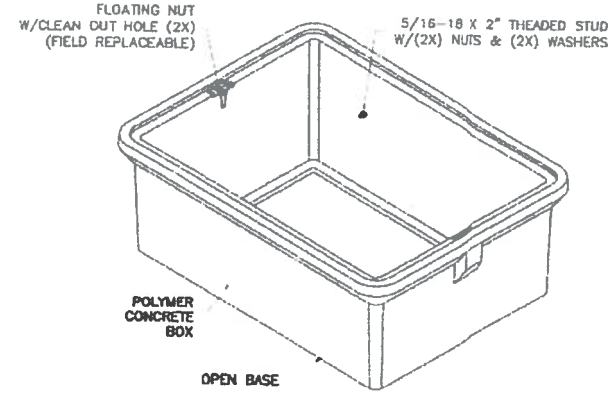
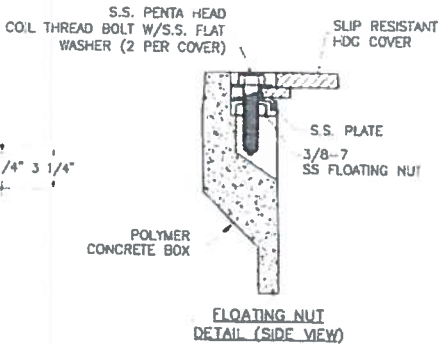
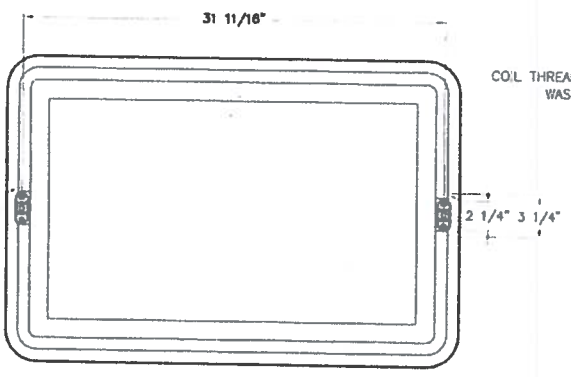
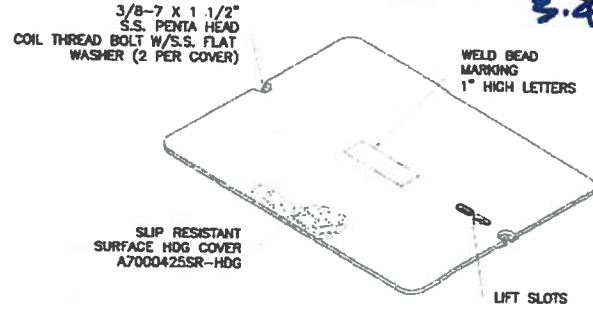
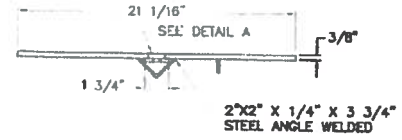
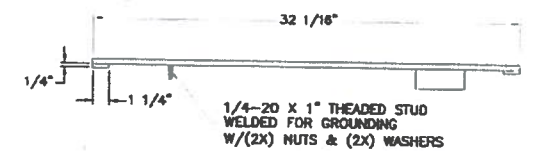
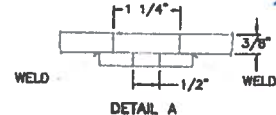
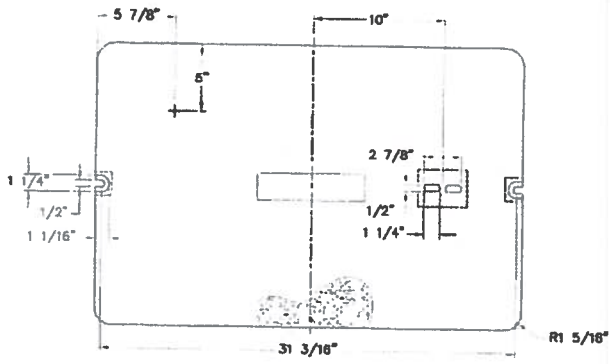
13230 Saffrey Street, North Hollywood, CA 91605 (818) 982-3600		PART DESCRIPTION 17" X 28" X 12" POLYMER CONCRETE BOX ASSEMBLY & COVER ASSEMBLY	
CUSTOMER WSDOT		MAX LOAD TIER 15 (22,500 lbs.)	
DESIGN OA	DATE 1/20	SCALE NONE	DRAWING NUMBER A6000425AD-HDG
APPROV. WS	DATE 1/20	MATERIAL RPM, HDG STEEL	

THE INFORMATION IN THIS DRAWING IS CONFIDENTIAL. THE DRAWING IS NOT TO BE REPRODUCED OR ITS CONTENTS DISCLOSED IN ANY WAY WHATSOEVER EXCEPT WITH THE PRIOR WRITTEN APPROVAL OF ARMORCAST PRODUCTS COMPANY. IT IS THE PROPERTY OF AND MUST BE RETURNED TO ARMORCAST PRODUCTS COMPANY, 13230 SAFFREY STREET, NORTH HOLLYWOOD, CALIFORNIA 91605.

APPROVED AS NOTED

Washington State Department of Transportation
 HQ Traffic Operations Office

BY: [Signature] DATE: 3/13/2020




NOTE: BOX PART NUMBER STAMP SHALL READ: TYPE 2 -A600425A

**WSDOT TYPE 2
 LOADING:
 ANSI/SCTE 77 TIER 15 LOADING &
 22,500 lbs. OVER 10" X 10" AREA**

A6-0425ASR-HDG WSDOT

**SLIP RESISTANT HOT DIPPED GALVANIZED COVER
 BOX DIVIDER OPTION AVAILABLE**

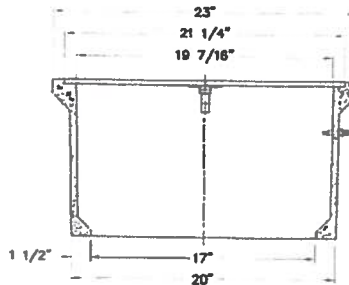
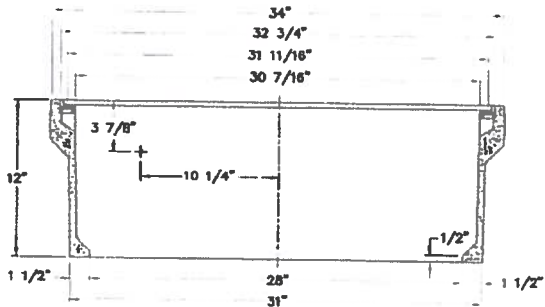
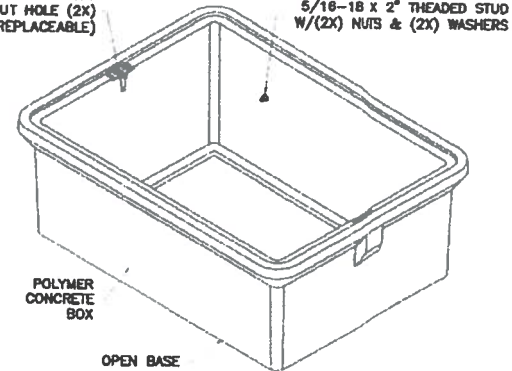
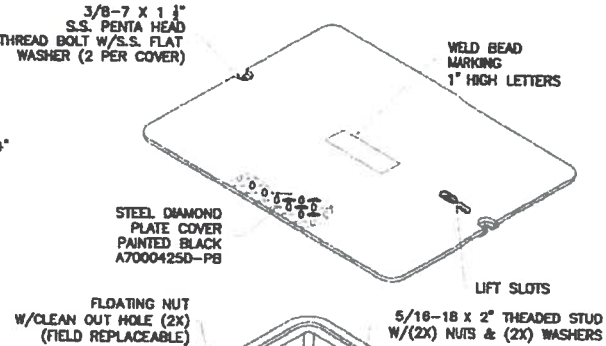
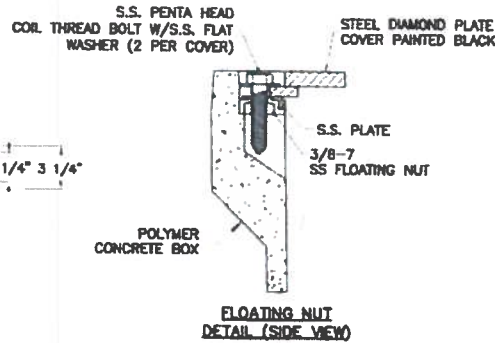
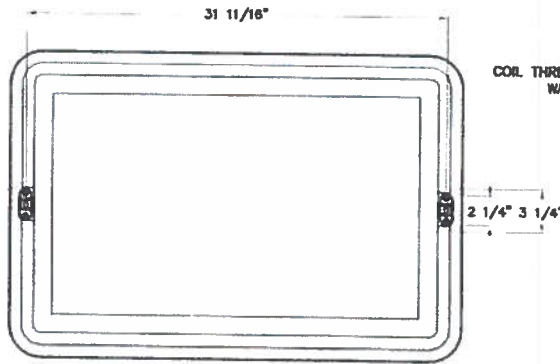
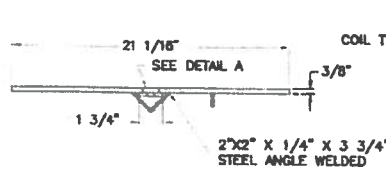
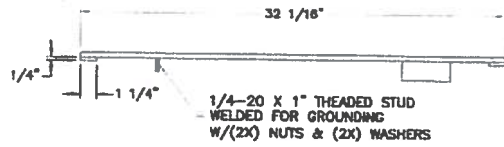
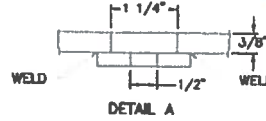
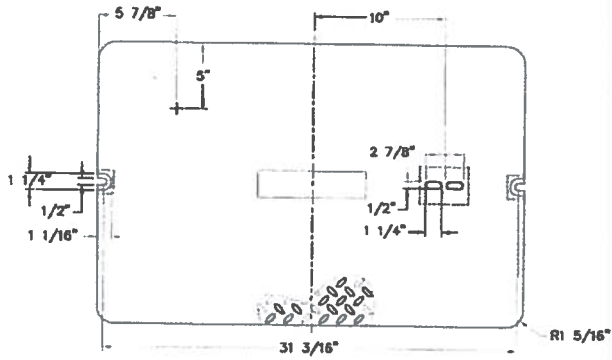
 13230 Saffrey Street, North Hollywood, CA 91605 (818) 982-3600		PART DESCRIPTION 17" X 28" X 12" POLYMER CONCRETE BOX ASSEMBLY & COVER ASSEMBLY	
CUSTOMER WSDOT		MAX. LOAD TIER 15 (22,500 lbs.)	
DRAWN OA	DATE 1/20	SCALE NONE	CHANGE NUMBER
APPROV. WS	DATE 1/20	MATERIAL RPM, HDG STEEL	A6000425ASR-HDG

"THE INFORMATION IN THIS DRAWING IS CONFIDENTIAL. THE DRAWING IS NOT TO BE REPRODUCED OR IN ANY MANNER COPIED OR TRANSMITTED IN ANY FORM OR BY ANY MEANS, ELECTRONIC OR MECHANICAL, INCLUDING PHOTOCOPYING, RECORDING, OR BY ANY INFORMATION STORAGE AND RETRIEVAL SYSTEM, WITHOUT THE WRITTEN APPROVAL OF ARMED PRODUCTS COMPANY. IT IS THE PROPERTY OF ARMED PRODUCTS COMPANY, 13230 SAFFREY STREET, NORTH HOLLYWOOD, CALIFORNIA 91605."

APPROVED AS NOTED

Washington State Department of Transportation
 HQ Traffic Operations Office

BY: [Signature] DATE: 3/13/2020




**NOTE: BOX PART NUMBER STAMP SHALL READ:
 TYPE 2 -A600425A**

WSDOT TYPE 2

**LOADING:
 ANSI/SCTE 77 TIER 15 LOADING &
 22,500 lbs. OVER 10" X 10" AREA**

DIAMOND PLATE COVER PAINTED BLACK
BOX DIVIDER OPTION AVAILABLE

PART NUMBER: A6-0425AD-PB WSDOT

 13230 Sateeney Street, North Hollywood, CA 91605 (818) 882-3800		PART DESCRIPTION: 17" X 28" X 12" POLYMER CONCRETE BOX ASSEMBLY & COVER ASSEMBLY	
THE INFORMATION IN THIS DRAWING IS CONFIDENTIAL. THE DRAWING IS NOT TO BE REPRODUCED OR ITS CONTENTS DISCLOSED IN ANY MANNER WITHOUT THE PRIOR WRITTEN APPROVAL OF ARMORCOST PRODUCTS COMPANY. IT IS THE PROPERTY OF AND MUST BE RETURNED TO ARMORCOST PRODUCTS COMPANY, 13230 SATEENAY STREET, NORTH HOLLYWOOD, CALIFORNIA 91605.		CLASSIFICATION: WSDOT	SCALE: NONE
DRAWN: OA	DATE: 1/20	MATERIAL: RPM, STEEL	MAX LOAD: TIER 15 (22,500 lbs.) DRAWING NUMBER: A6000425AD-PB