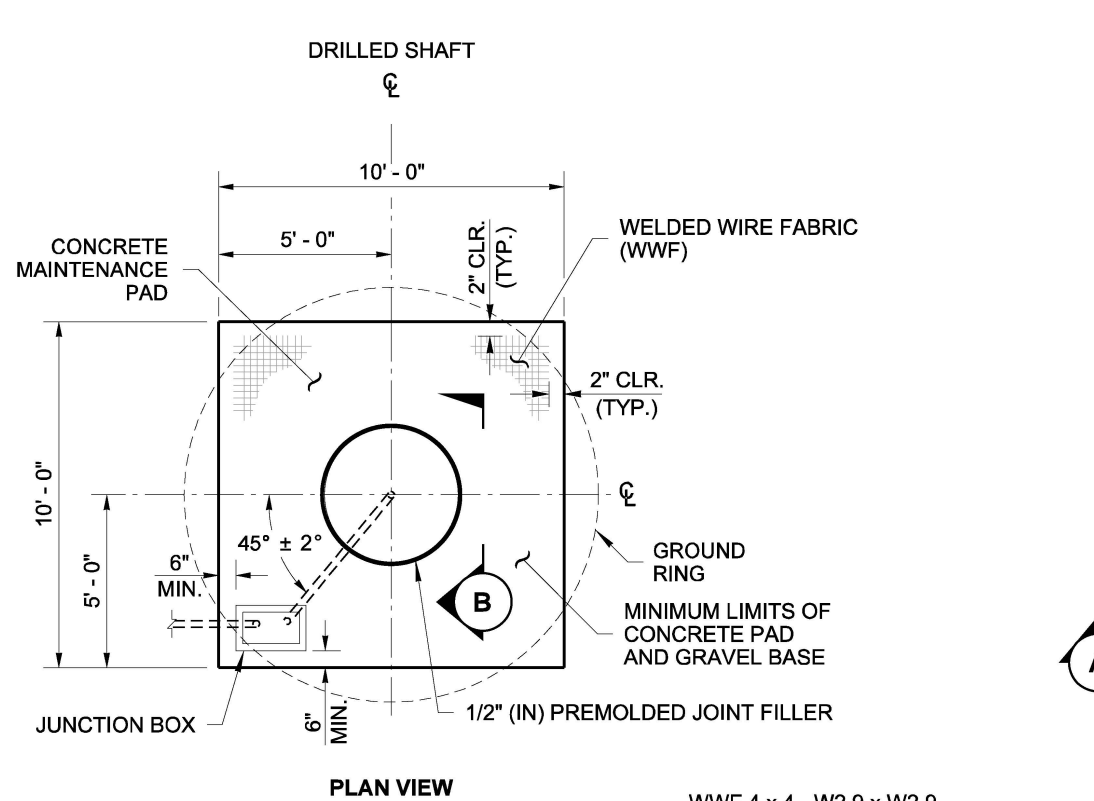
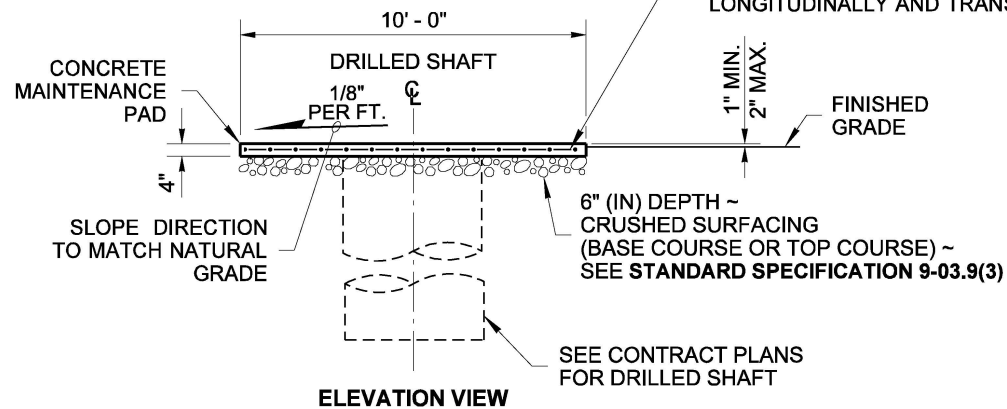


DRAWN BY: FERN LIDDELL



**PLAN VIEW**

WWF 4 x 4 - W2.9 x W2.9  
 PLACED IN CENTER OF PAD ~ SEE  
**STANDARD SPECIFICATION 9-07.7** ~  
 OPTIONAL: #3 @ 1'-0" SPACING  
 LONGITUDINALLY AND TRANSVERSELY

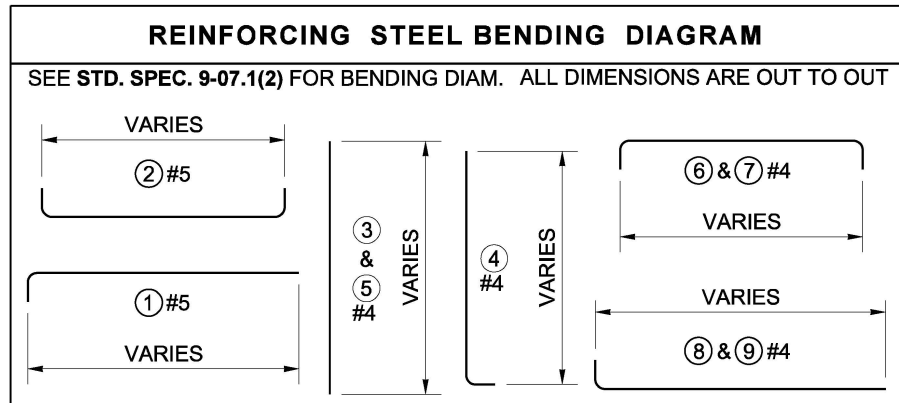


**ELEVATION VIEW**

**4" (IN) MAINTENANCE PAD  
 ON SLOPES LEVEL TO 10H : 1V**

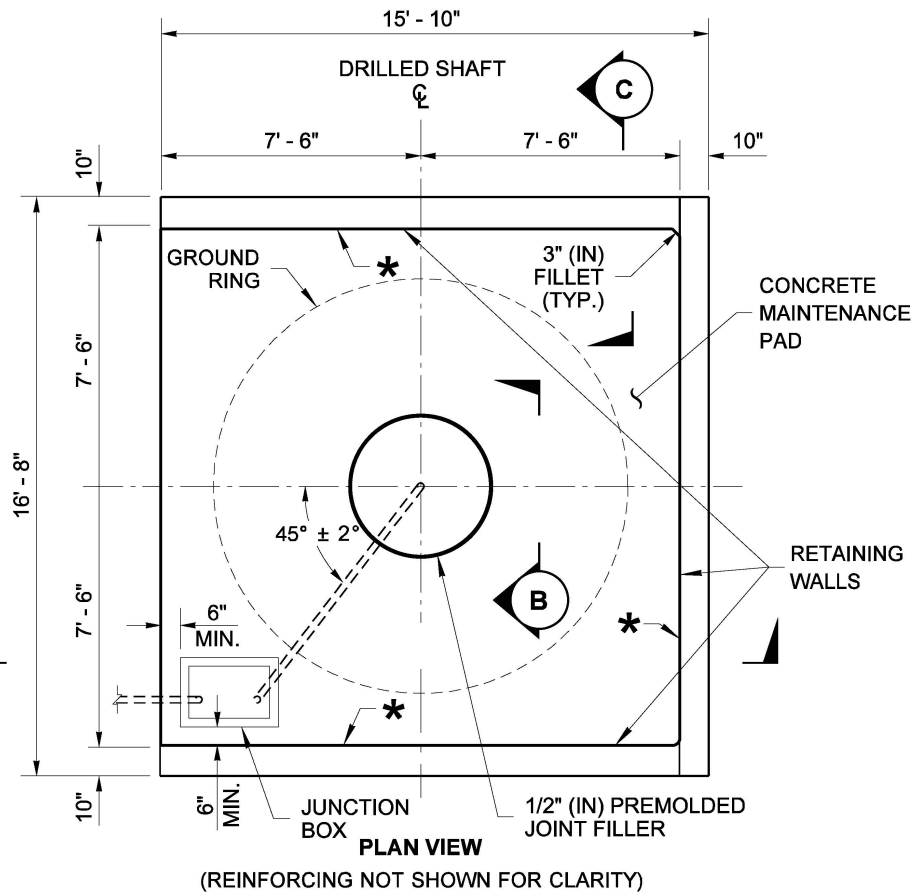
NOTE: CONCRETE FOR 4" (IN) THICK PAD SHALL BE CLASS 3000

**KEY NOTE**  
 ① LIMITS OF PIGMENTED SEALER, TYPICAL FOR ALL RETAINING WALLS.



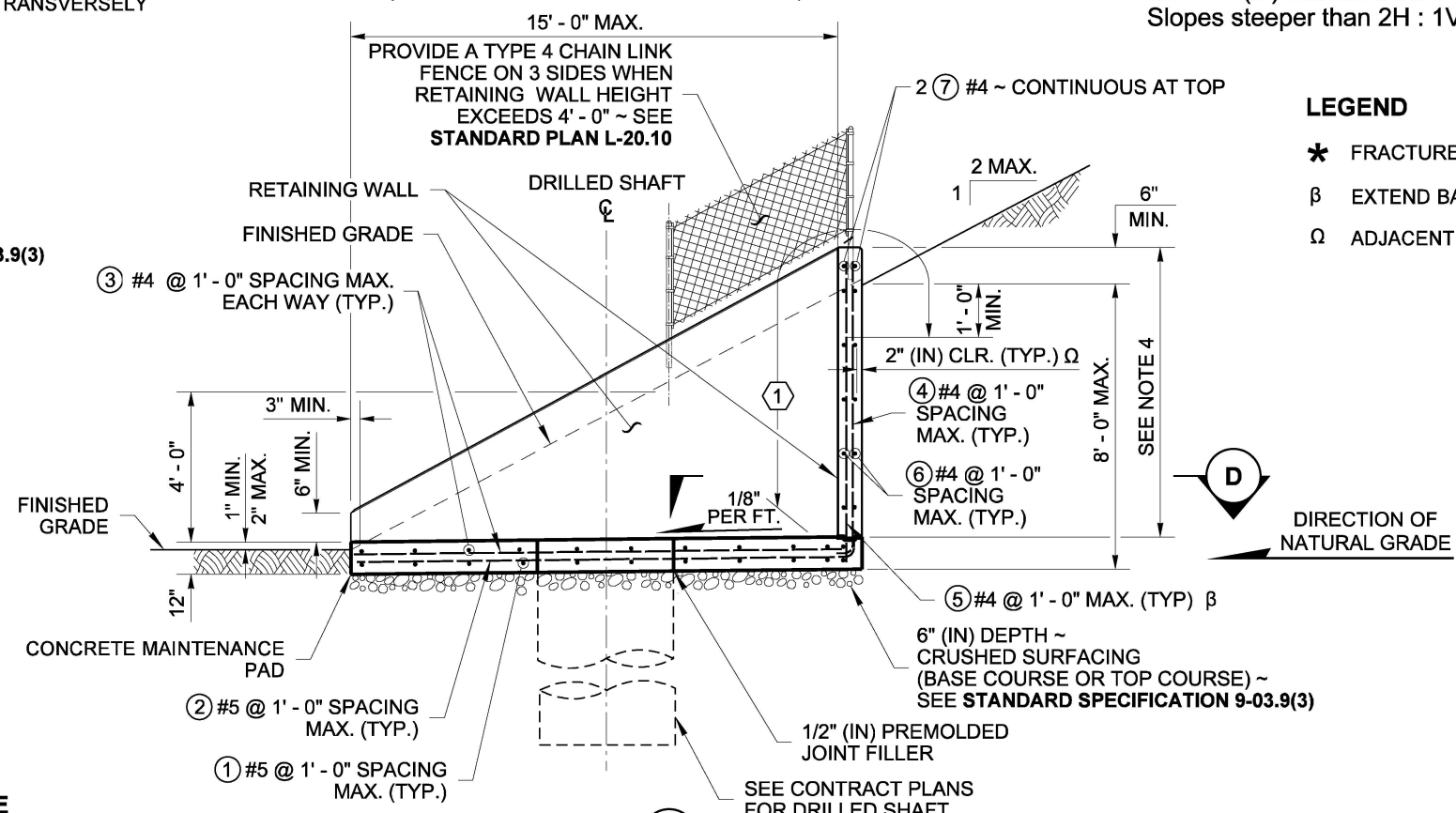
**REINFORCING STEEL BENDING DIAGRAM**

SEE STD. SPEC. 9-07.1(2) FOR BENDING DIAM. ALL DIMENSIONS ARE OUT TO OUT



**PLAN VIEW**

(REINFORCING NOT SHOWN FOR CLARITY)



**SECTION A**

**12" (IN) MAINTENANCE PAD  
 ON SLOPES STEEPER THAN 10H : 1V**

NOTE: CONCRETE FOR 12" (IN) THICK PAD SHALL BE CLASS 4000  
 (GROUND RING NOT SHOWN FOR CLARITY)

**NOTE**  
 WHEN THE MAINTENANCE PAD ABUTS ASPHALT OR  
 CONCRETE THE CONTRACTOR SHALL MODIFY THE  
 FINISHED GRADE 1" (IN) MINIMUM TO 2" (IN) MAXIMUM.

**NOTES**

- All material and workmanship shall be in accordance with the **Standard Specifications**.
- The maintenance pad and retaining walls have been designed to meet the requirements of the **AASHTO LRFD Bridge Design Specifications, 7th Edition, 2014**.
- Concrete for 12" (in) thick maintenance pad shall be class 4000. Concrete for 4" (in) thick maintenance pad shall be class 3000.
- Height of wall varies to match slope of finished grade. Contractor shall field-determine wall height at each maintenance pad location and obtain approval from the Engineer prior to proceeding with construction.
- All exposed corners shall have 3/4" (in) chamfers.
- For grounding details not shown, see **Standard Plan J-60.05**.
- Where concrete cover (clear) thickness is not shown, the clear distance from the face of the concrete to the face of any reinforcing steel shall be as follows: 3" (in) for bottom of maintenance pad, 2" (in) for top of maintenance pad, and 1 1/2" (in) at all other locations.
- Falsework shall be carefully released to prevent impact or undue stress on the structure.
- See Contract Plans for number, type, and location of conduits and conductors.
- Contractor shall orient the maintenance pad to align with the direction of natural grade as shown. Engineer's approval of maintenance pad slope and orientation required prior to proceeding with construction.
- Use 4" (in) Maintenance Pad on level ground or slopes not exceeding 10H : 1V. Use 12" (in) Maintenance Pad on slopes steeper than 10H : 1V. Slopes steeper than 2H : 1V shall require a special design.

**LEGEND**

- \* FRACTURED FIN FINISH
- β EXTEND BAR 8" (IN) INTO FOOTING
- Ω ADJACENT TO SOIL



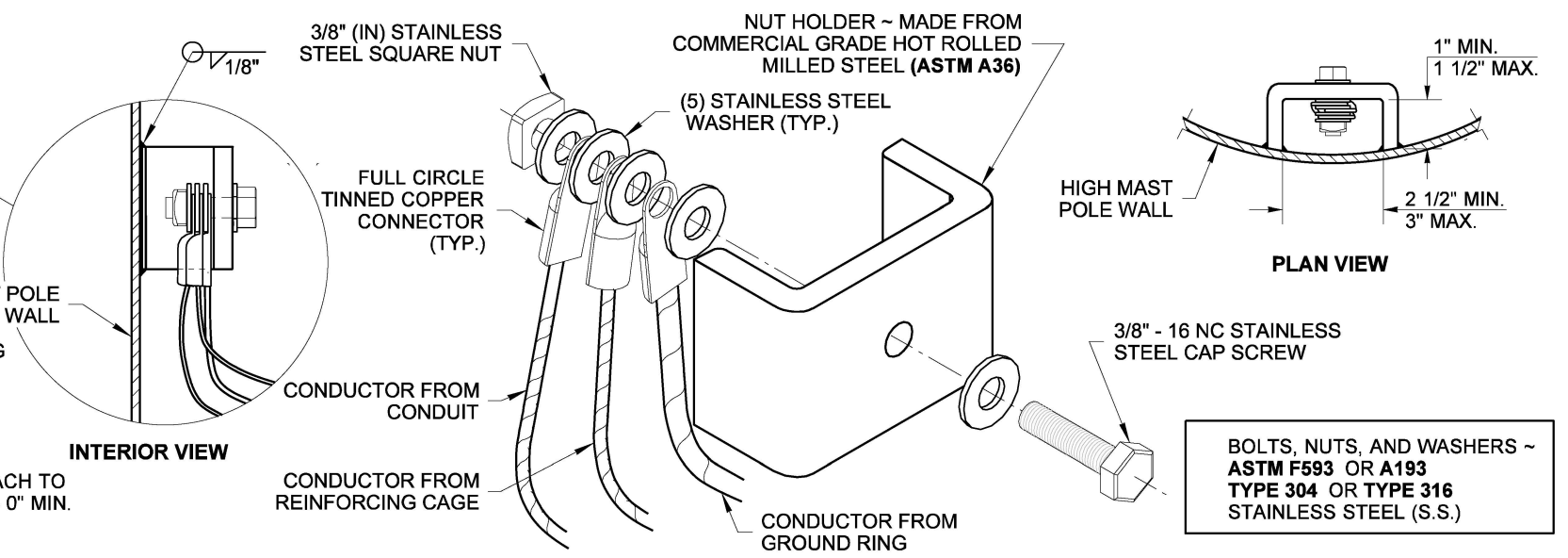
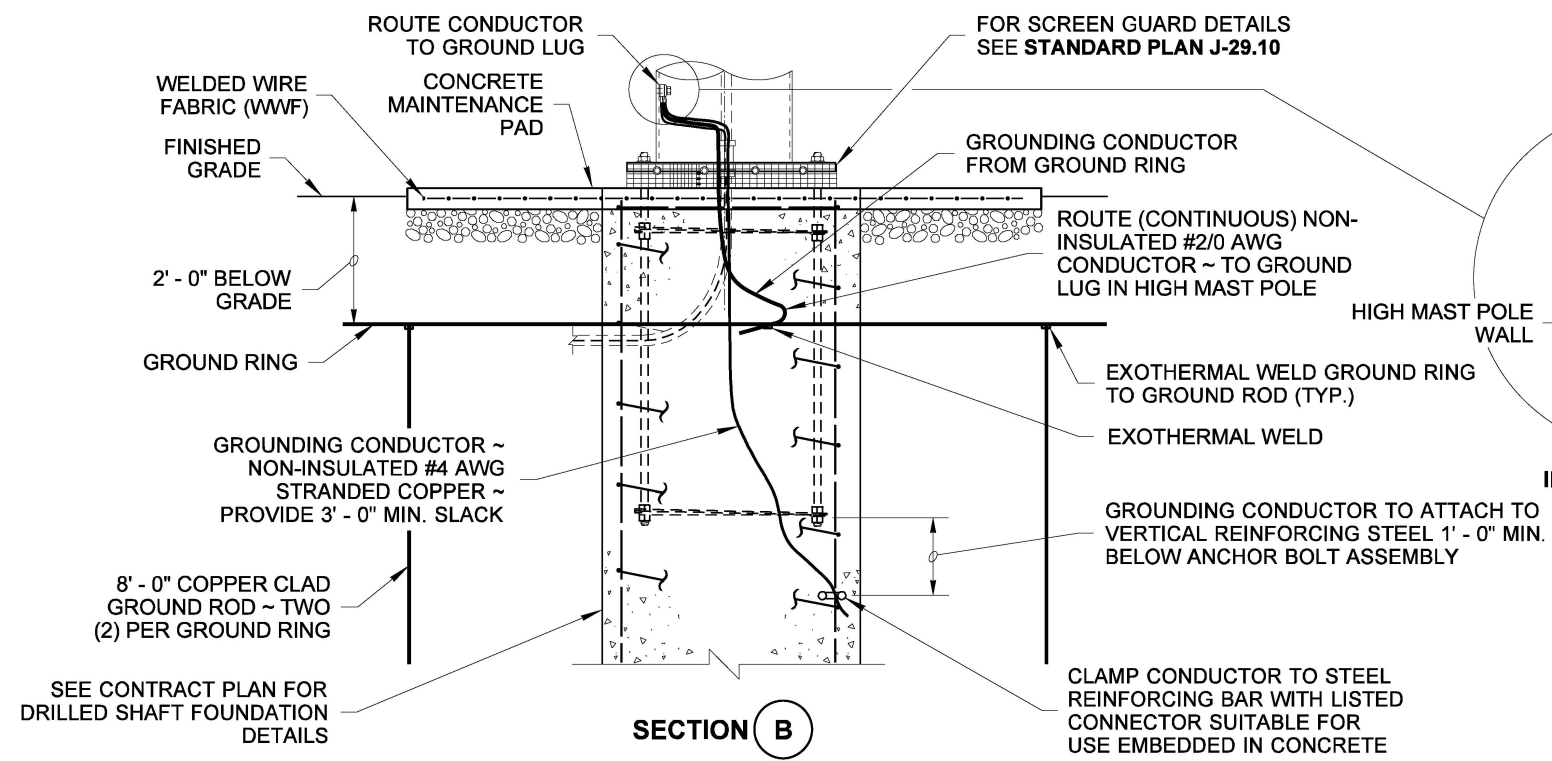
Aug 26, 2022

**HIGH MAST LUMINAIRE  
 MAINTENANCE PAD  
 STANDARD PLAN J-30.10-01**

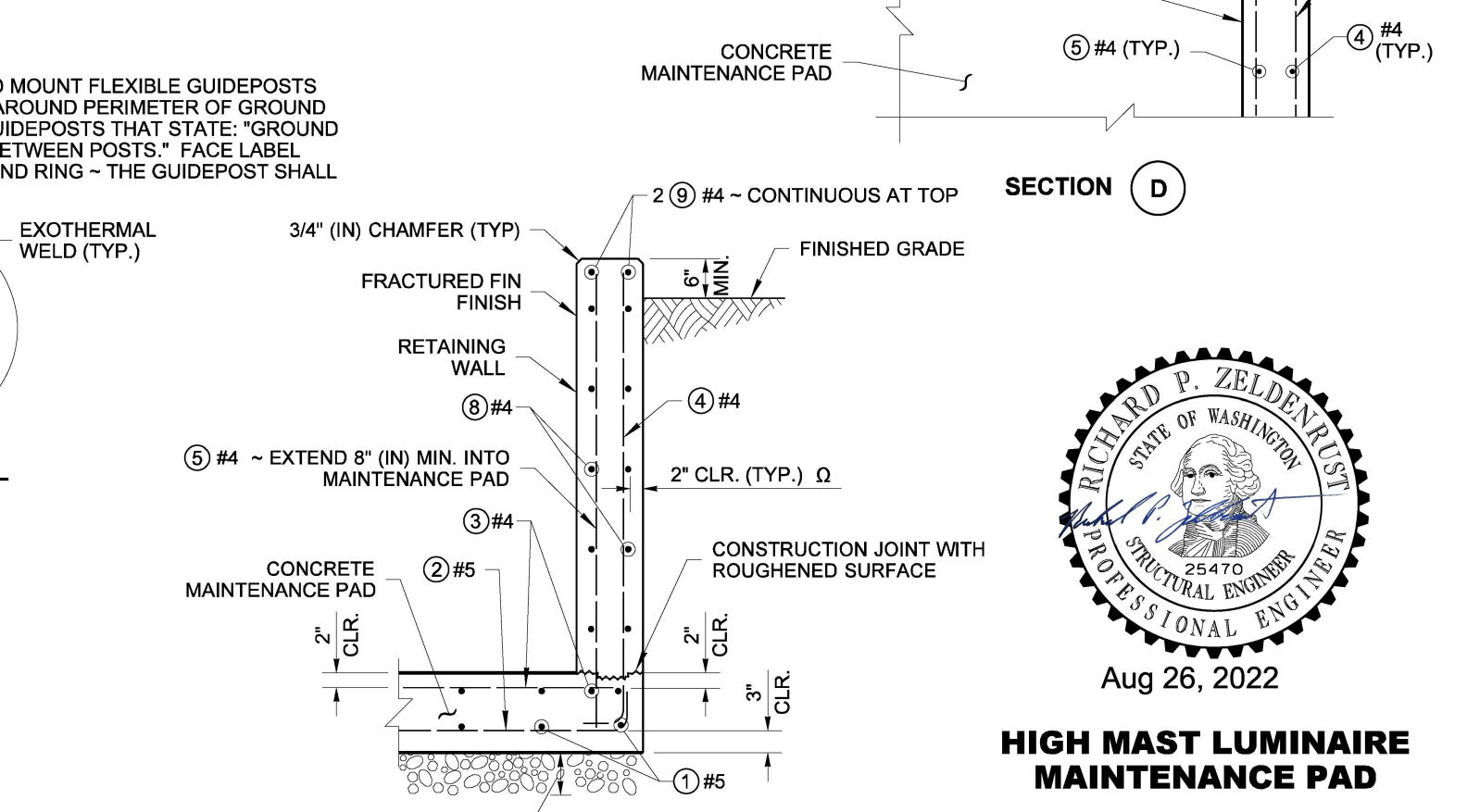
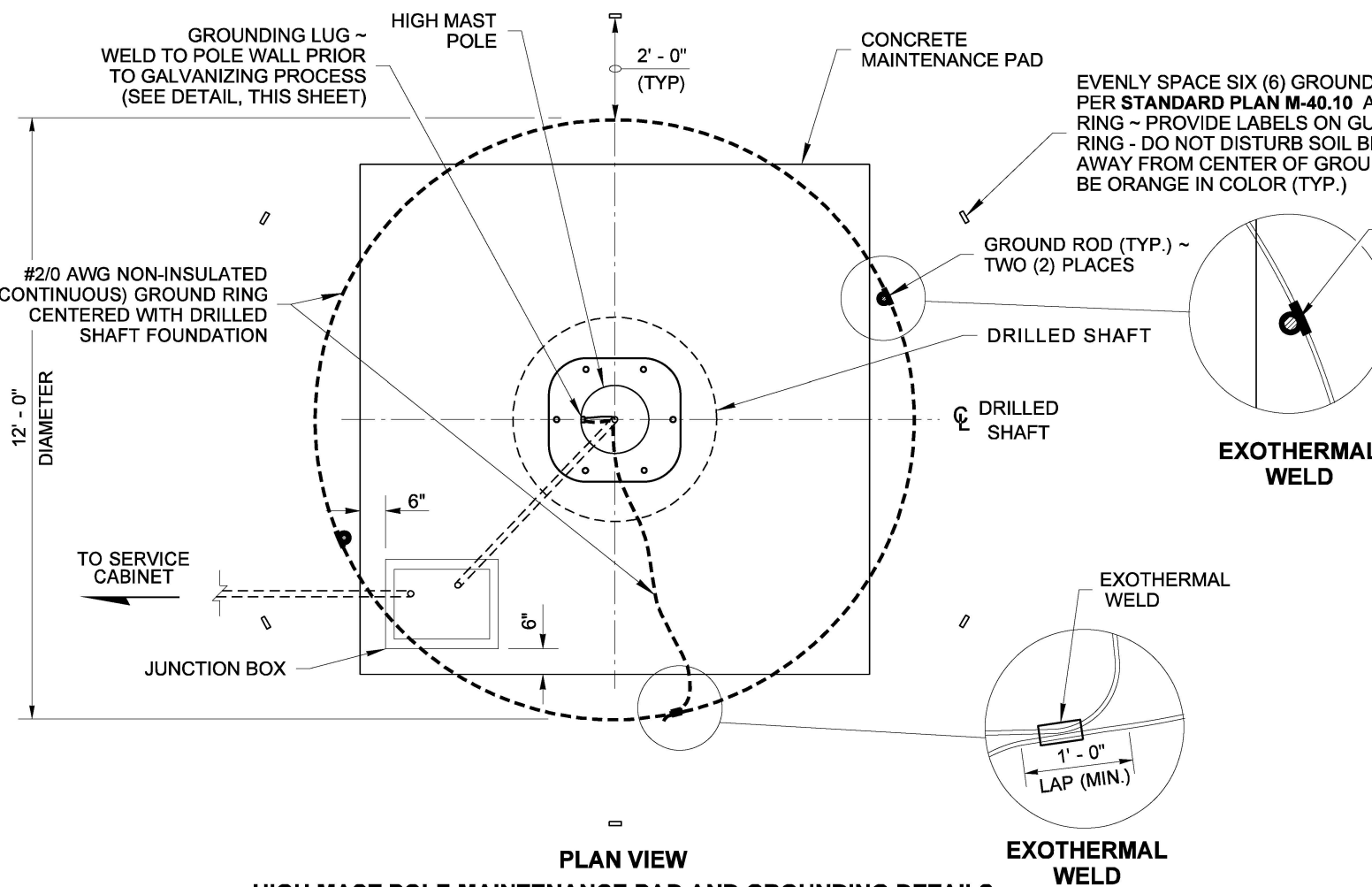
SHEET 1 OF 2 SHEETS

APPROVED FOR PUBLICATION  
*Mark Gaines*  
 Mark Gaines (Aug 26, 2022 10:51 PDT)  
 STATE DESIGN ENGINEER  
 Washington State Department of Transportation  
 Aug 26, 2022

DRAWN BY: FERN LIDDELL



BOLTS, NUTS, AND WASHERS ~  
ASTM F593 OR A193  
TYPE 304 OR TYPE 316  
STAINLESS STEEL (S.S.)



Aug 26, 2022

**HIGH MAST LUMINAIRE MAINTENANCE PAD**  
**STANDARD PLAN J-30.10-01**

SHEET 2 OF 2 SHEETS

APPROVED FOR PUBLICATION  
*Mark Gaines*  
Mark Gaines (Aug 26, 2022 10:51 PDT)  
Aug 26, 2022  
STATE DESIGN ENGINEER  
Washington State Department of Transportation

**HIGH MAST POLE MAINTENANCE PAD AND GROUNDING DETAILS**  
4" (IN) THICK MAINTENANCE PAD IS SHOWN IN THIS VIEW ~  
12" (IN) THICK MAINTENANCE PAD DETAIL IS SIMILAR  
(REINFORCING NOT SHOWN FOR CLARITY)