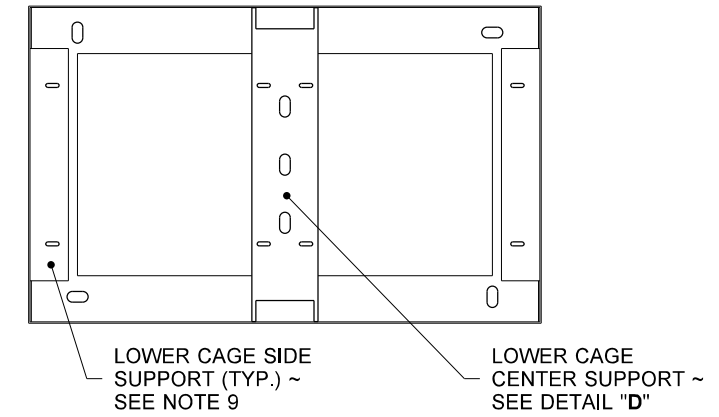
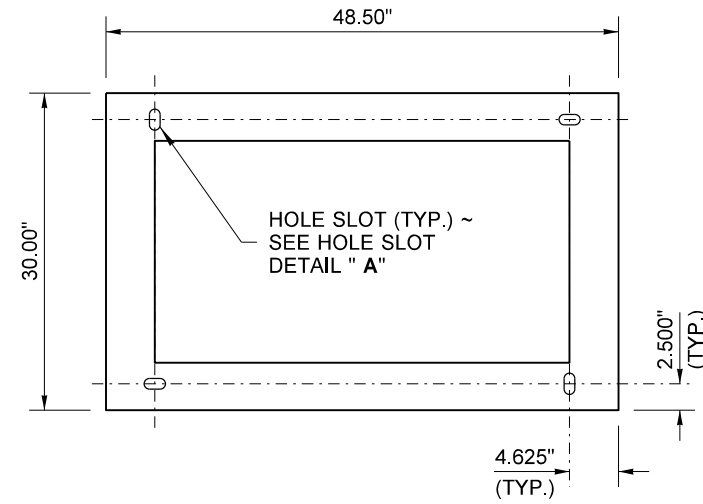
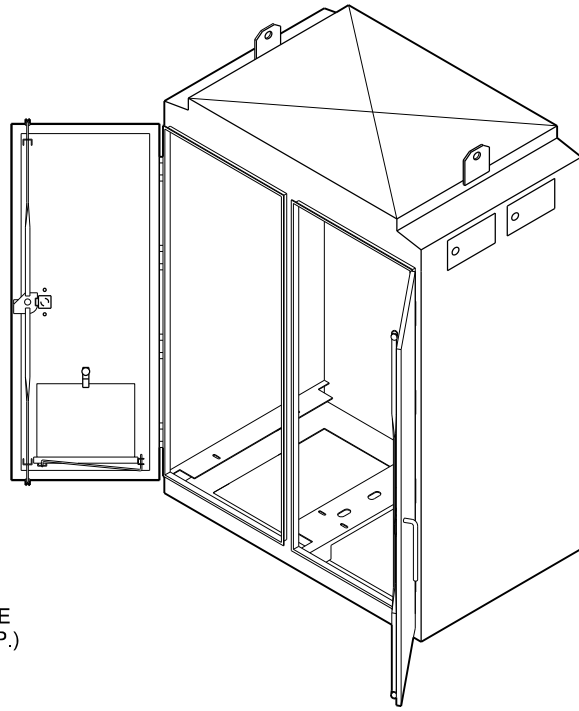
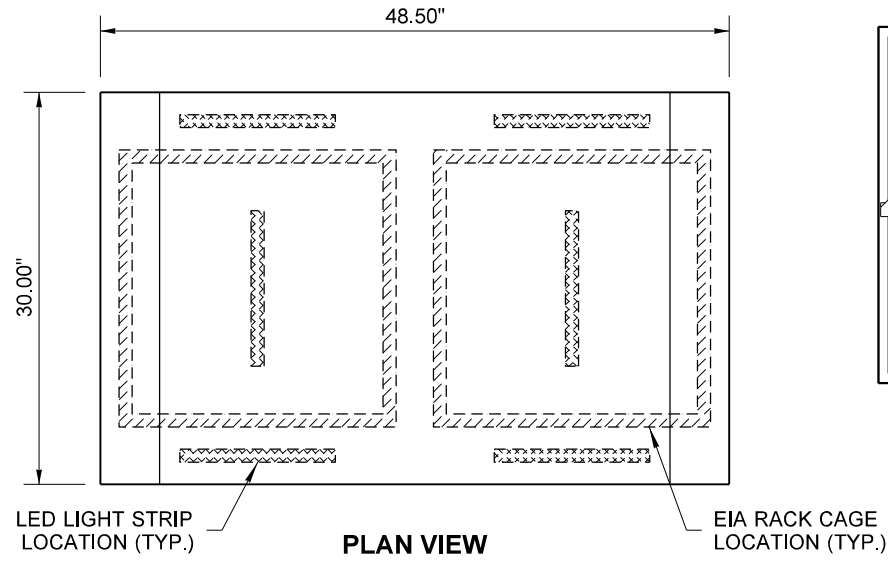
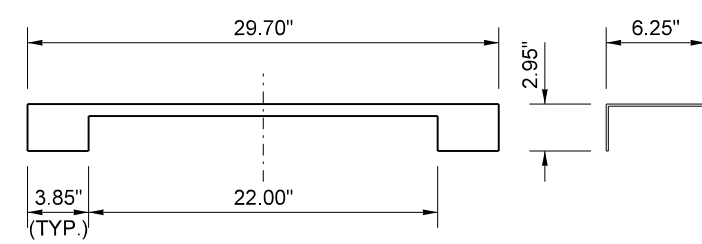
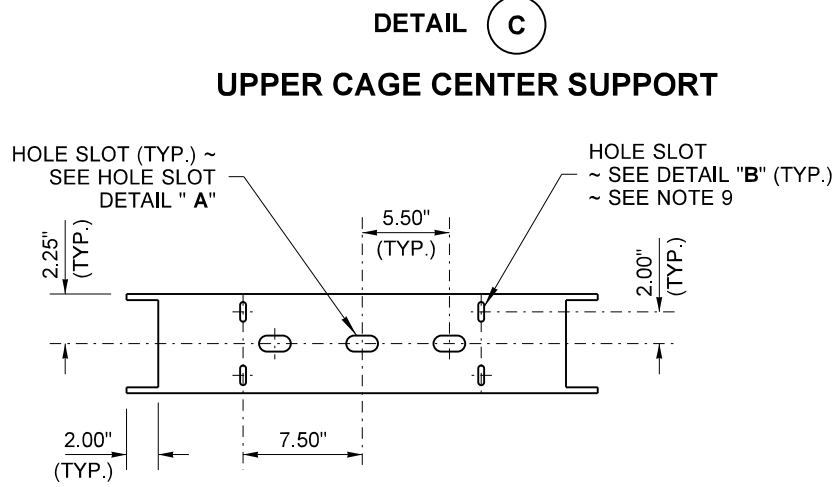
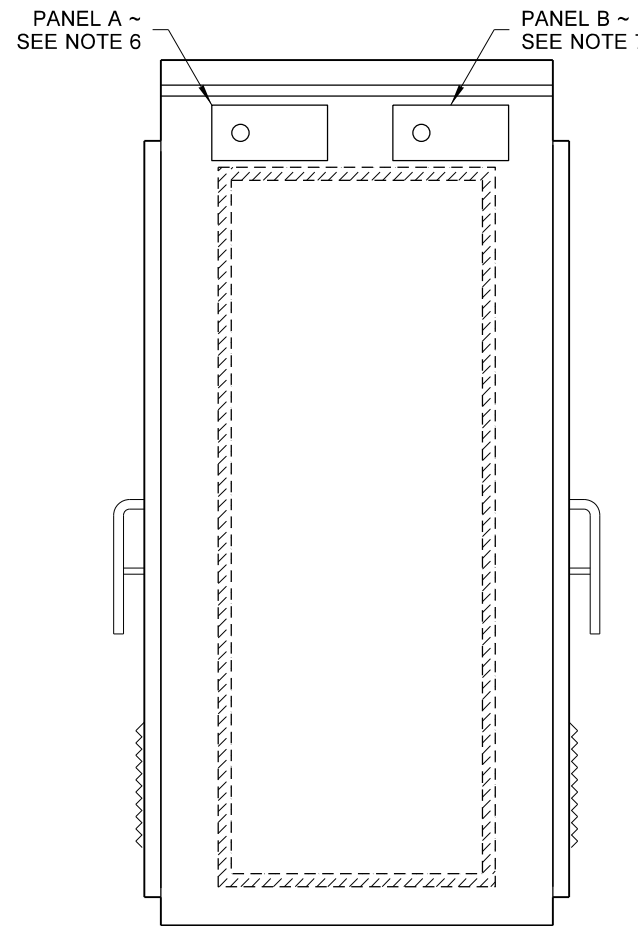
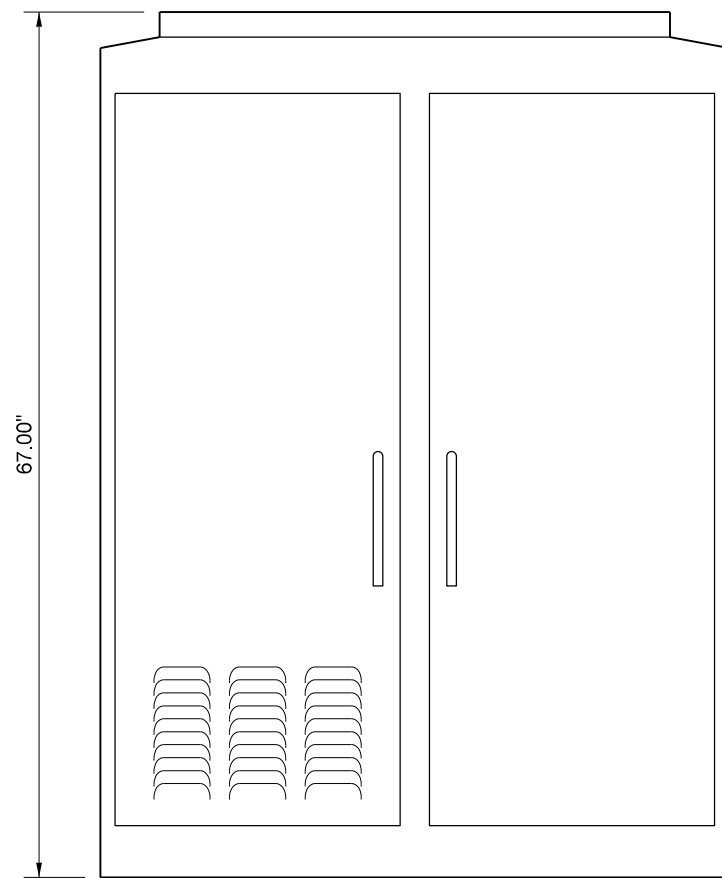
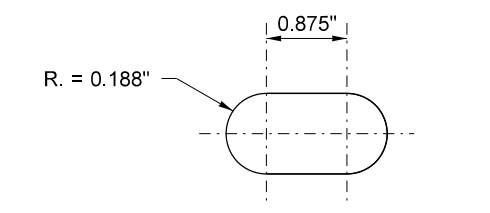
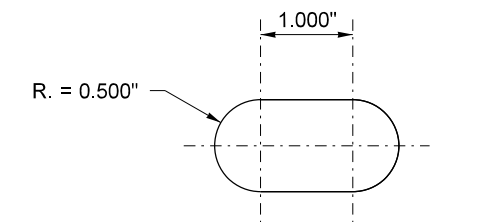
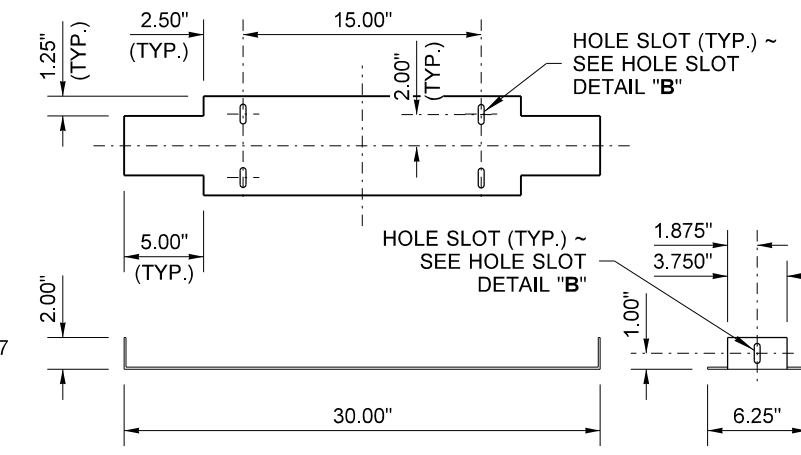


DRAWN BY: BILL BERENS



**NOTE: DIMENSIONS NOT SHOWN SHALL BE IN ACCORDANCE WITH THE TEES**



**TYPE 33xD AND 34xLX  
DOUBLE-WIDTH  
CABINET HOUSINGS  
STANDARD PLAN J-12.16-00**

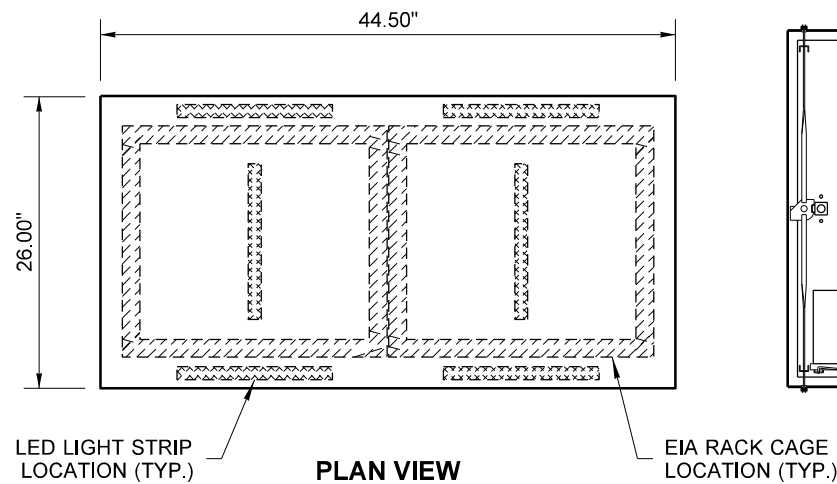
SHEET 1 OF 2 SHEETS

APPROVED FOR PUBLICATION

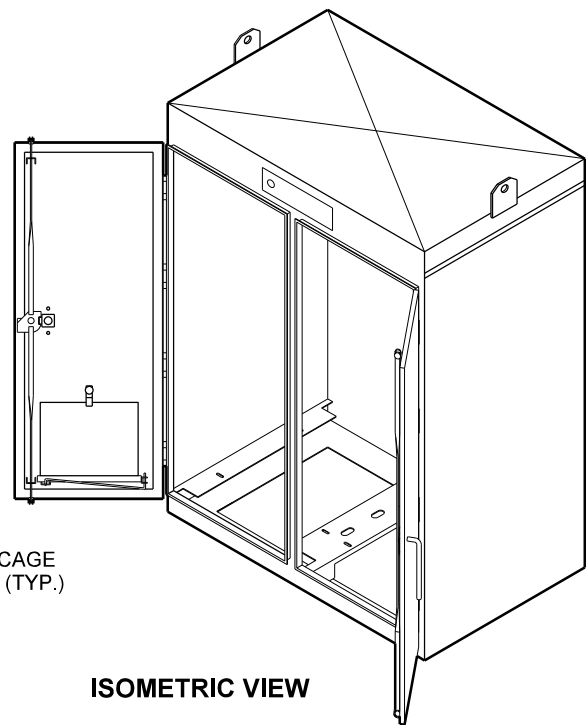
STATE DESIGN ENGINEER  
Washington State Department of Transportation

**CABINET HOUSING #1X**

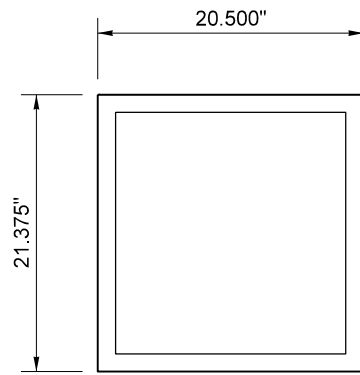
DRAWN BY: BILL BERENS



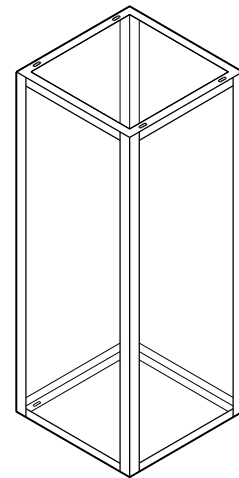
**PLAN VIEW**



**ISOMETRIC VIEW**



**PLAN VIEW**



**ISOMETRIC VIEW**

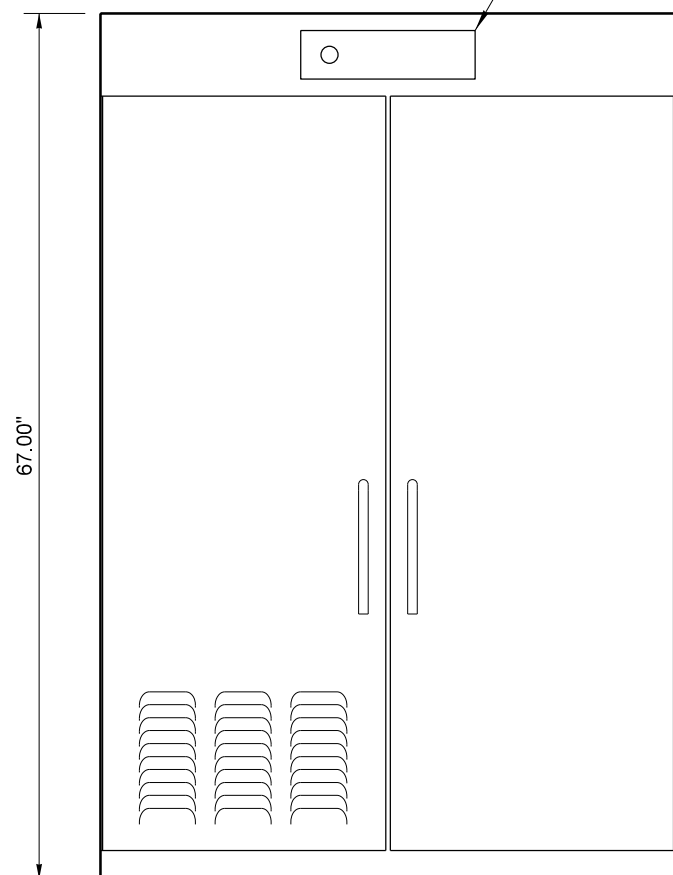
**NOTE: DIMENSIONS NOT SHOWN SHALL BE IN ACCORDANCE WITH THE TEES**

**NOTES**

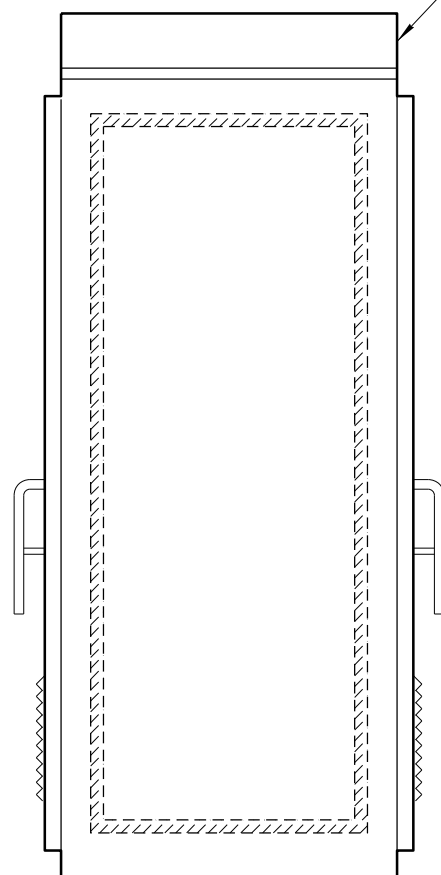
1. Cabinet construction shall meet the requirements of **Standard Specification Section 9-29.13(10)**. Aluminum cabinets shall have mill finish.
2. Cabinet construction shall conform to the requirements of Chapter 6, Section 2, of the **California Department of Transportation (CalTrans) Transportation Electrical Equipment Specifications (TEES)** as currently published, including all errata, with modifications as described in **Standard Specification Section 9-29.13(10)**.
3. The Housing and Cage numbers refer to the designations shown in the **TEES**. Cabinet Housing #1X is a double-width version of Cabinet Housing #1 with overall dimensions as shown.
4. Housing #1X shall always use two of Cage #1 - see **Standard Plan J-12.15**. Housing #3 shall always use two ITS Cages.
5. Cage mounting points are designated by rack units (U), which are numbered starting from the bottom of the cage - see **Standard Plan J-12.15**.
6. Install the following in PANEL A location for the applicable cabinet type:
  - Type 331D and 334D Cabinets: Do not install PANEL A.
  - Type 332D Cabinets: Install Generator Transfer Switch.
7. Install the following in PANEL B location for the applicable cabinet type:
  - Type 331D Cabinets: Install Generator Transfer Switch when specified in the contract.
  - Type 332D and 334D Cabinets: Install Police Panel.
8. All cabinet locks shall accept Best 6-pin or 7-pin cores, with the exception of the Police Panel. The Police Panel shall use a standard Police Panel Lock and Keys.
9. Cage side supports for Cabinet Housing #1X shall be as shown in the **TEES** for Cabinet Housing #1B. Cage upper and lower center supports shall be as shown here, and installed in the same manner as shown in the **TEES** for the Cabinet Housing #3 center cage supports.

POLICE PANEL (FRONT) ~  
GENERATOR TRANSFER  
SWITCH PANEL ON REAR

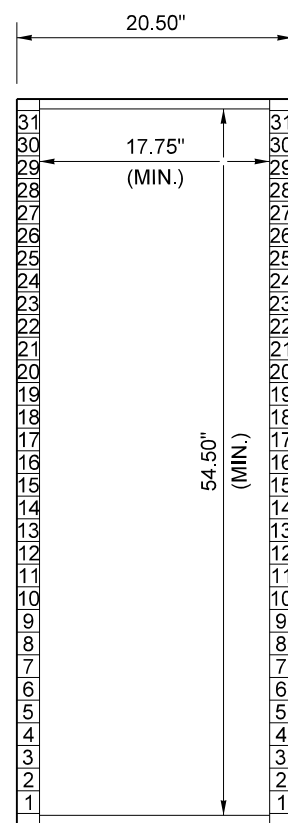
GENERATOR TRANSFER  
SWITCH PANEL (REAR FACE)



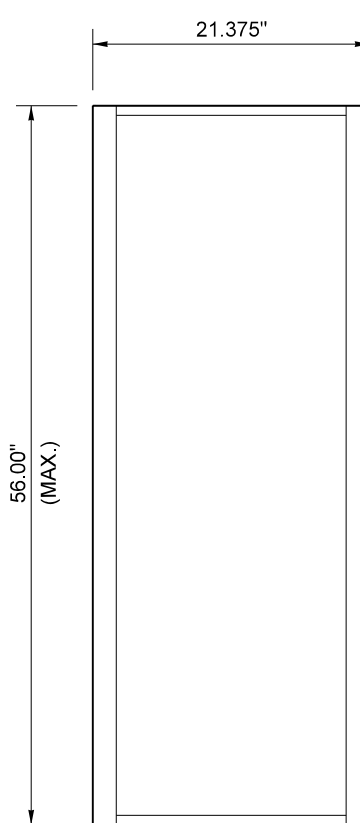
**EXTERIOR FRONT VIEW**



**EXTERIOR SIDE VIEW**

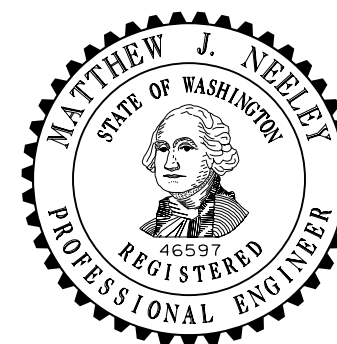


**FRONT VIEW**



**SIDE VIEW**

**ITS CAGE  
(EIA RACK)**



**TYPE 33xD AND 34xLX  
DOUBLE-WIDTH  
CABINET HOUSINGS  
STANDARD PLAN J-12.16-00**

SHEET 2 OF 2 SHEETS

APPROVED FOR PUBLICATION