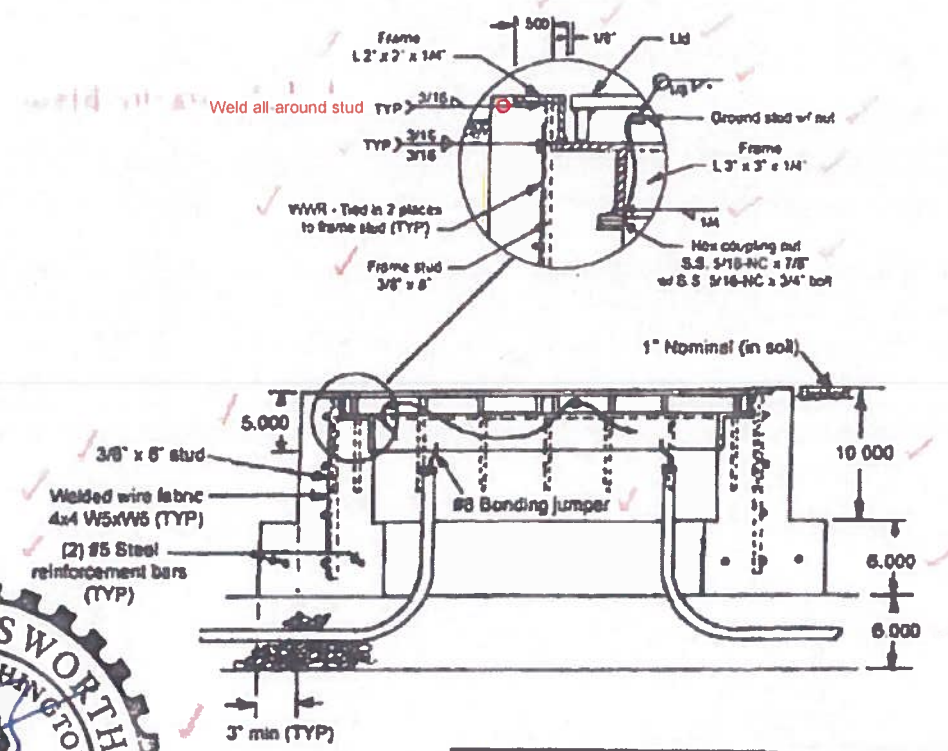
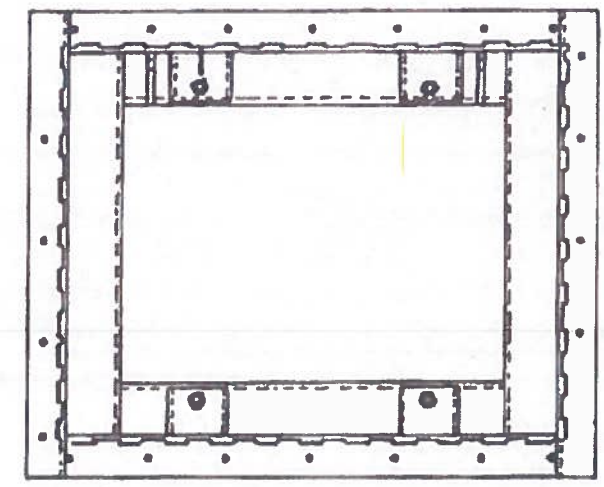
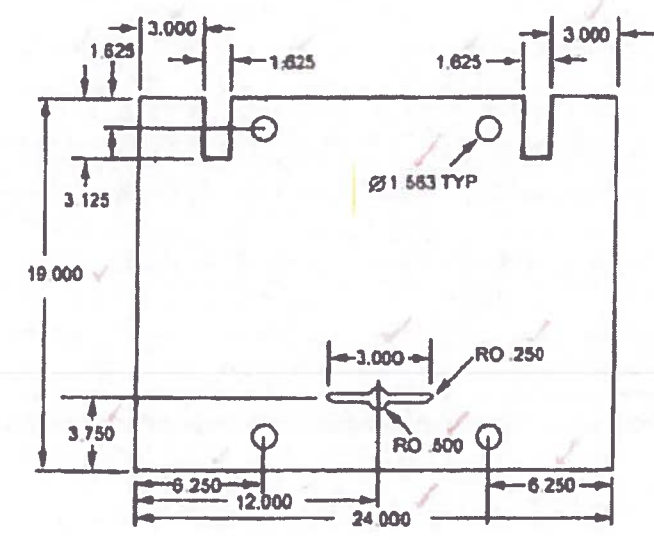
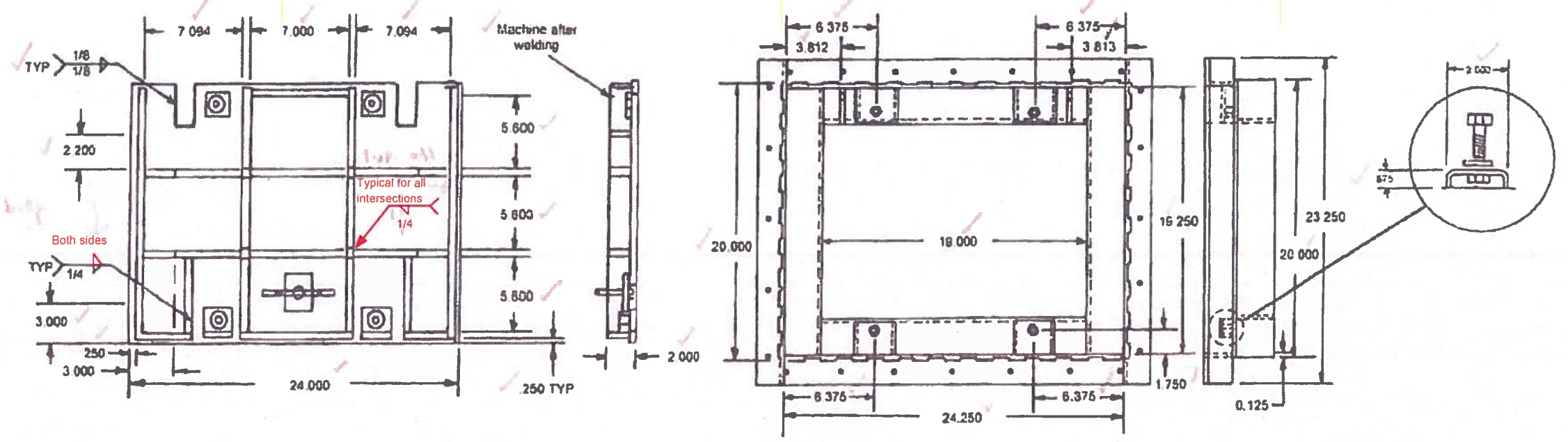


~~I-11~~ Type 4 Heavy Duty

1/5



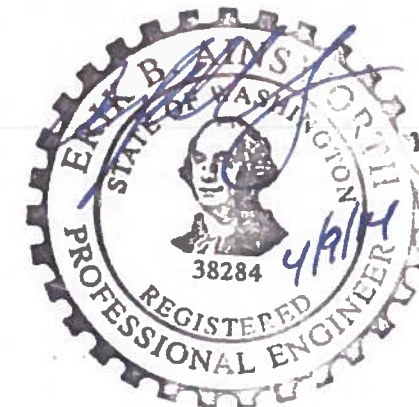
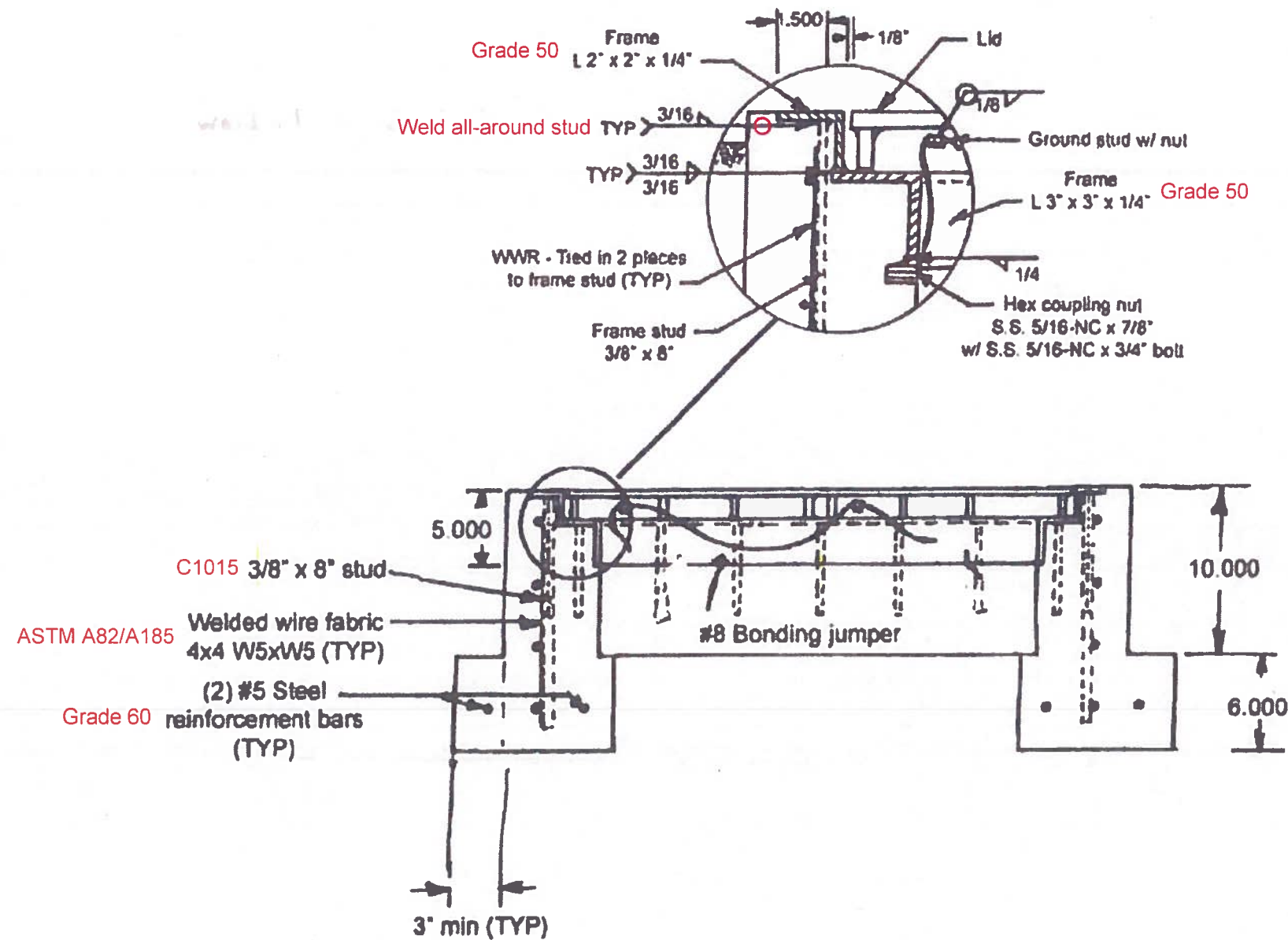
APPROVED AS NOTED
 Washington State Department of Transportation
 HQ Traffic Operations Office
 BY: [Signature] DATE: 8/16/2019



2/12

~~L-11~~ Type 4 Heavy Duty Box Detail

2/5



APPROVED AS NOTED

Washington State Department of Transportation
HQ Traffic Operations Office

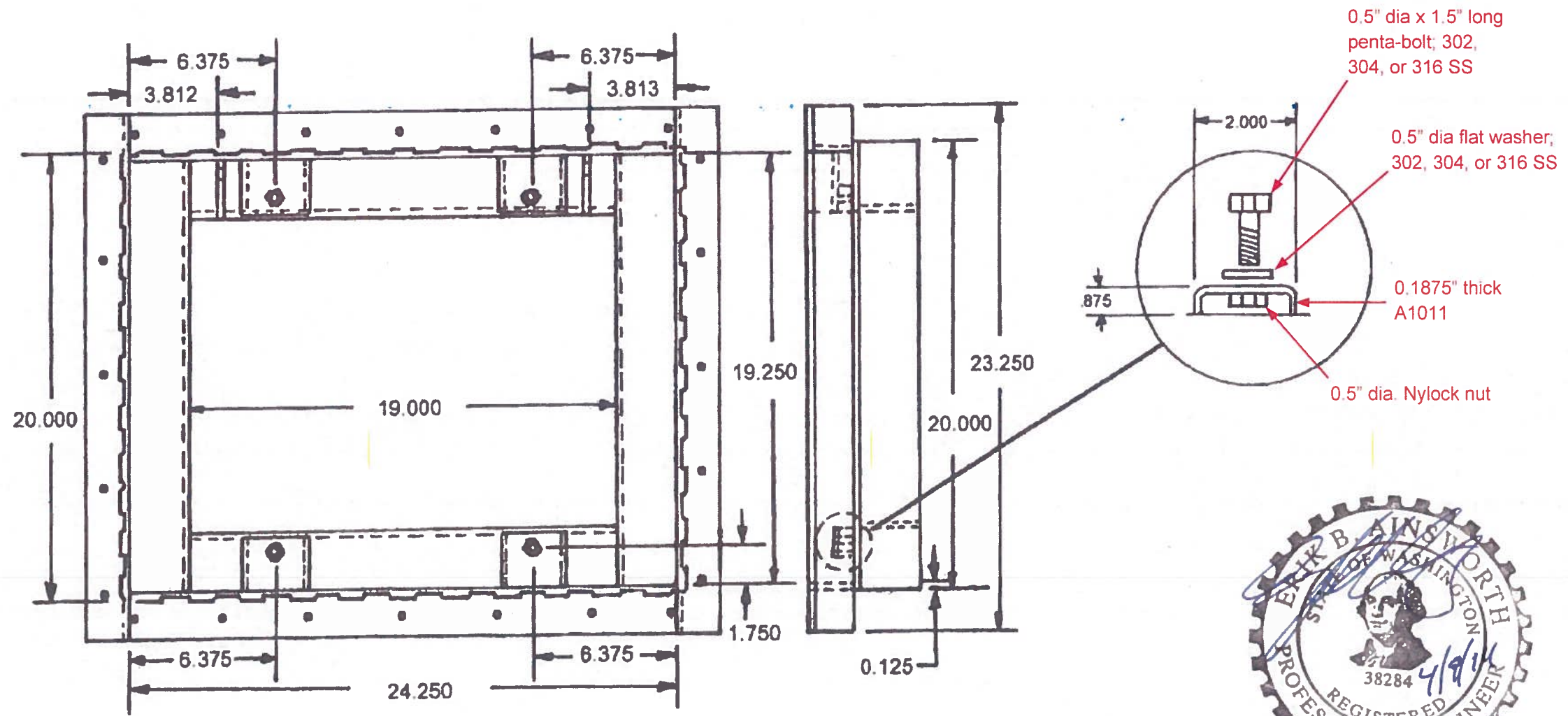
BY: [Signature] DATE: 8/16/2019



3/17

J-11 Type 4 Heavy Duty Frame Detail

3/5



APPROVED AS NOTED

Washington State Department of Transportation
HQ Traffic Operations Office

BY: [Signature] DATE: 8/16/2019



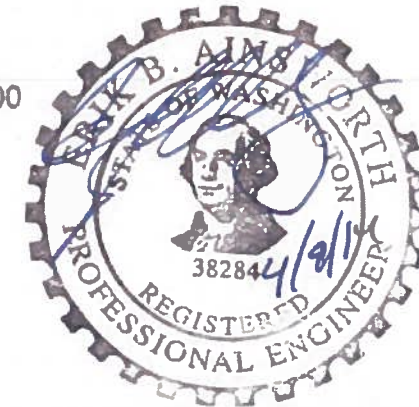
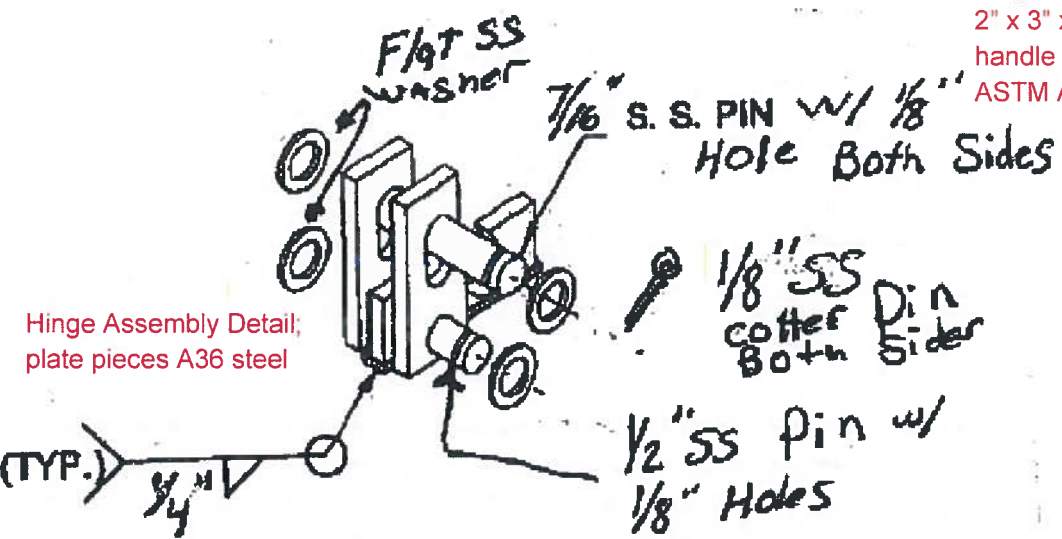
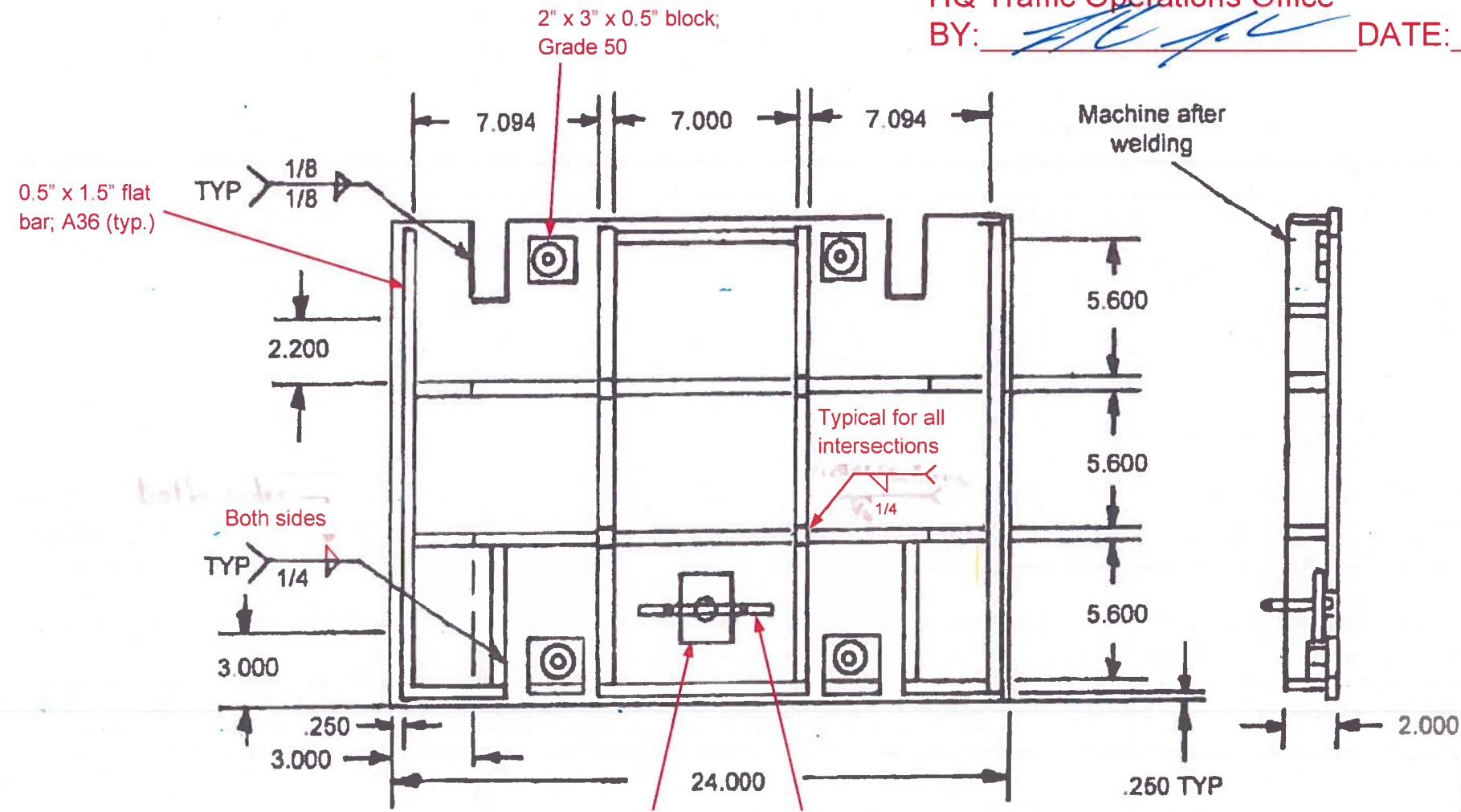
J-11 Type 4 Heavy Duty Lid (Bottom) Detail

4/5

APPROVED AS NOTED

Washington State Department of Transportation
 HQ Traffic Operations Office

BY: [Signature] DATE: 8/16/2019



5/17

~~L11~~ Type 4 Heavy Duty Lid & Frame (Top) Detail

5/5

APPROVED AS NOTED

Washington State Department of Transportation
HQ Traffic Operations Office

BY: [Signature] DATE: 8/16/2019

