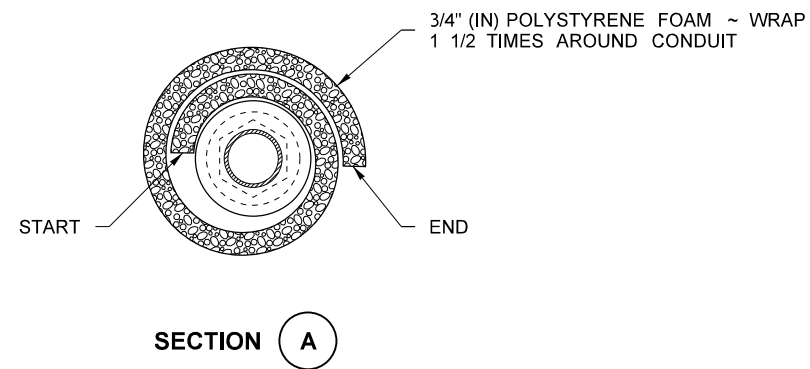
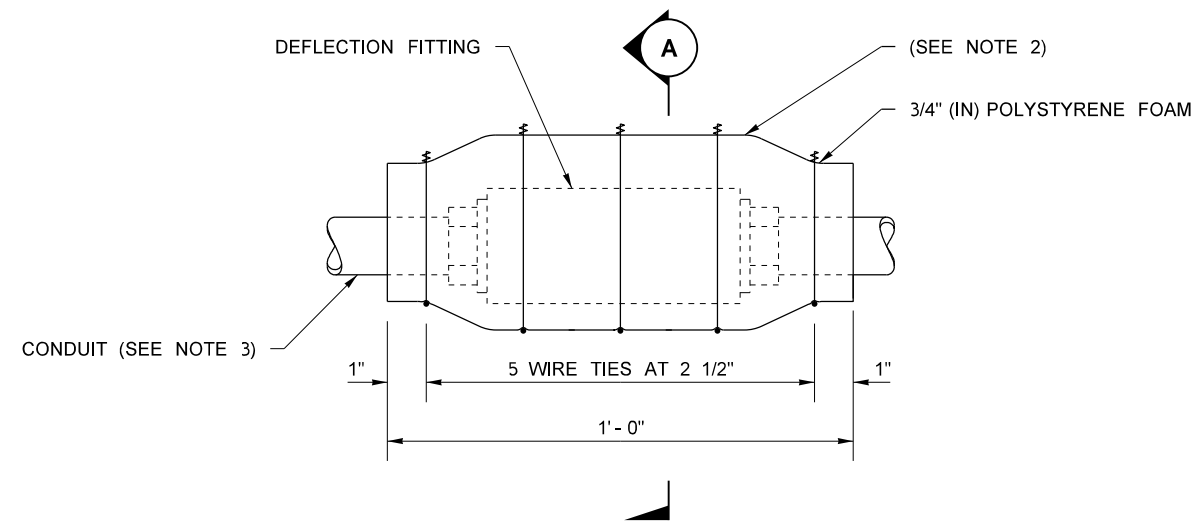



NOTES

1. EXPANDED POLYSTYRENE FOAM MATERIAL ~ GRAINGER CATALOG PART NUMBER 3F415.
2. AFTER PLACING WIRE TIES, DUCT TAPE SEAMS AND ENDS TO SEAL AND PREVENT CONCRETE FROM BONDING WITH FITTING AND CONDUIT.
3. WRAP STEEL CONDUIT PIPE FOR 1'-0" ON EACH SIDE OF JOINT. PIPE-WRAP TAPE SHALL BE 2" (IN) WIDE, 20 MIL THICK, AND INSTALLED WITH A MINIMUM OF 1" (IN) OVERLAP.

EXPANDED POLYSTYRENE CONDUIT SLEEVE



FILE NAME S:\Design R P& S\4-Standards\2-Plan Sheet Library\01-Published PSL\IS Illumination, Signals, and ITS\IS-9 Conduit Sleeve Details\IS-9.dgn										Plot 1
TIME	1:34:41 PM			REGION NO.	STATE	FED.AID PROJ.NO.				PLAN REF NO
DATE	10/6/2014				WASH					IS-9
PLOTTED BY	FletcCo			JOB NUMBER						SHEET
DESIGNED BY										1
ENTERED BY										OF
CHECKED BY										1
PROJ. ENGR.										SHEETS
REGIONAL ADM.		REVISION	DATE	BY			DATE			
						P.E. STAMP BOX	DATE	P.E. STAMP BOX	DATE	
 Washington State Department of Transportation										
CONDUIT SLEEVE DETAIL										