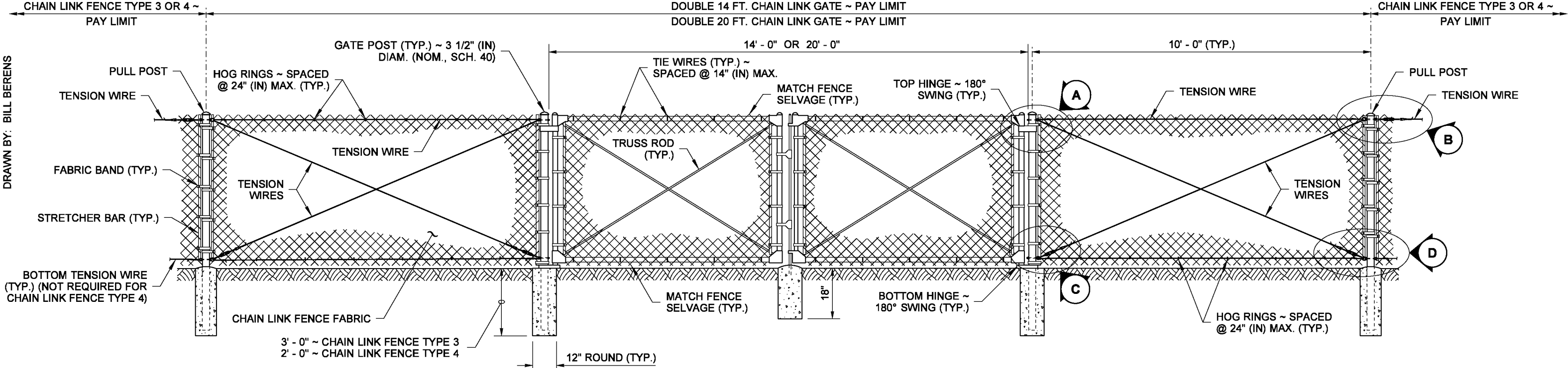
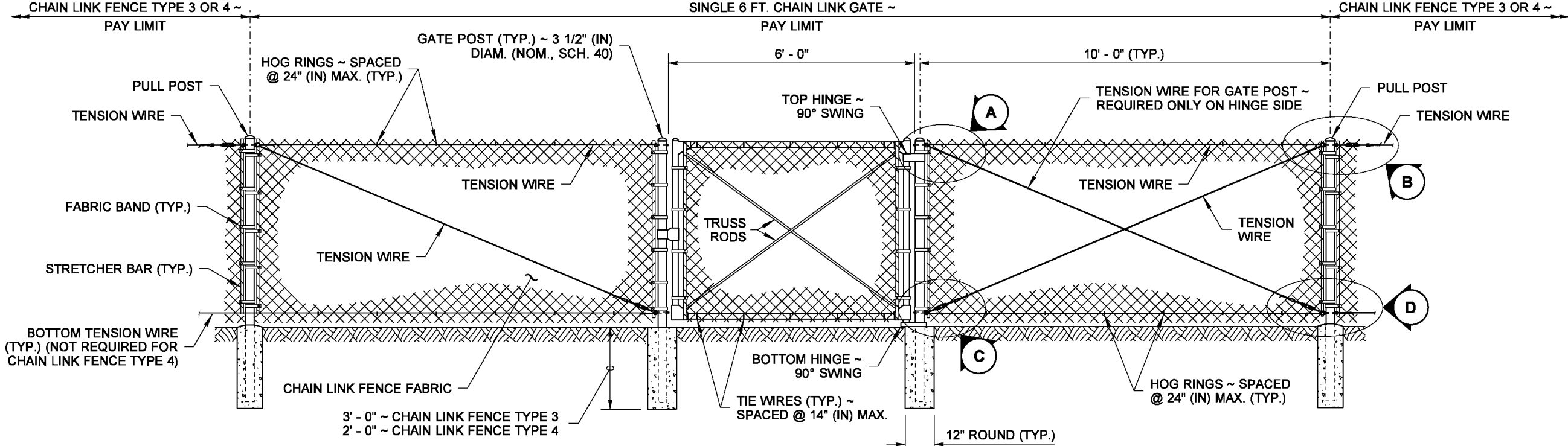


**NOTES**

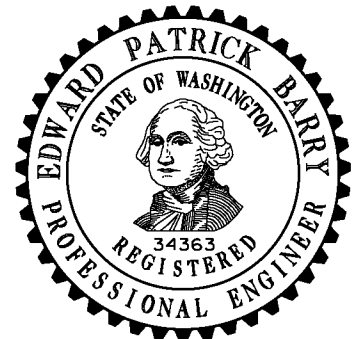
1. Materials shall meet the requirements of **Standard Specification 9-16**.



**DOUBLE GATE**



**SINGLE GATE**

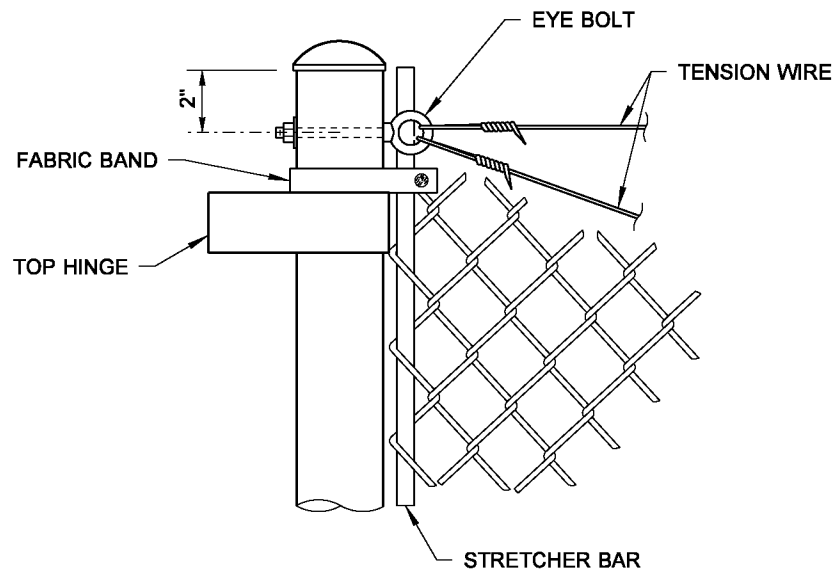


**CHAIN LINK GATE**  
**STANDARD PLAN L-30.10-02**

SHEET 1 OF 2 SHEETS  
APPROVED FOR PUBLICATION

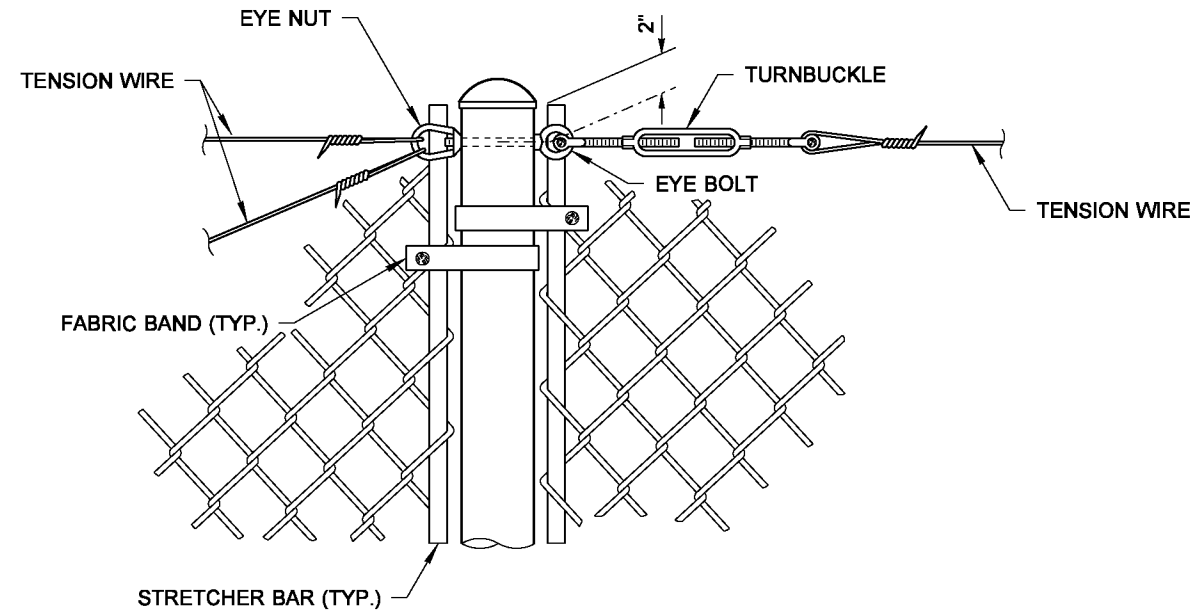
STATE DESIGN ENGINEER  
Washington State Department of Transportation

DRAWN BY: BILL BERENS



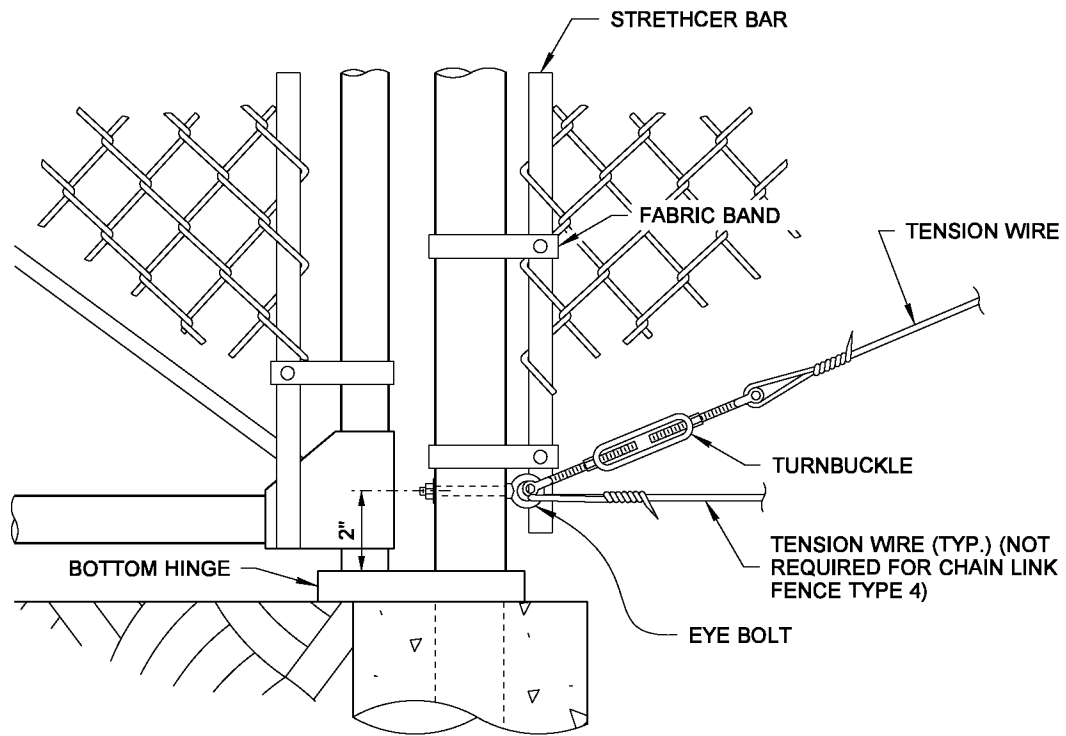
GATE POST

DETAIL A



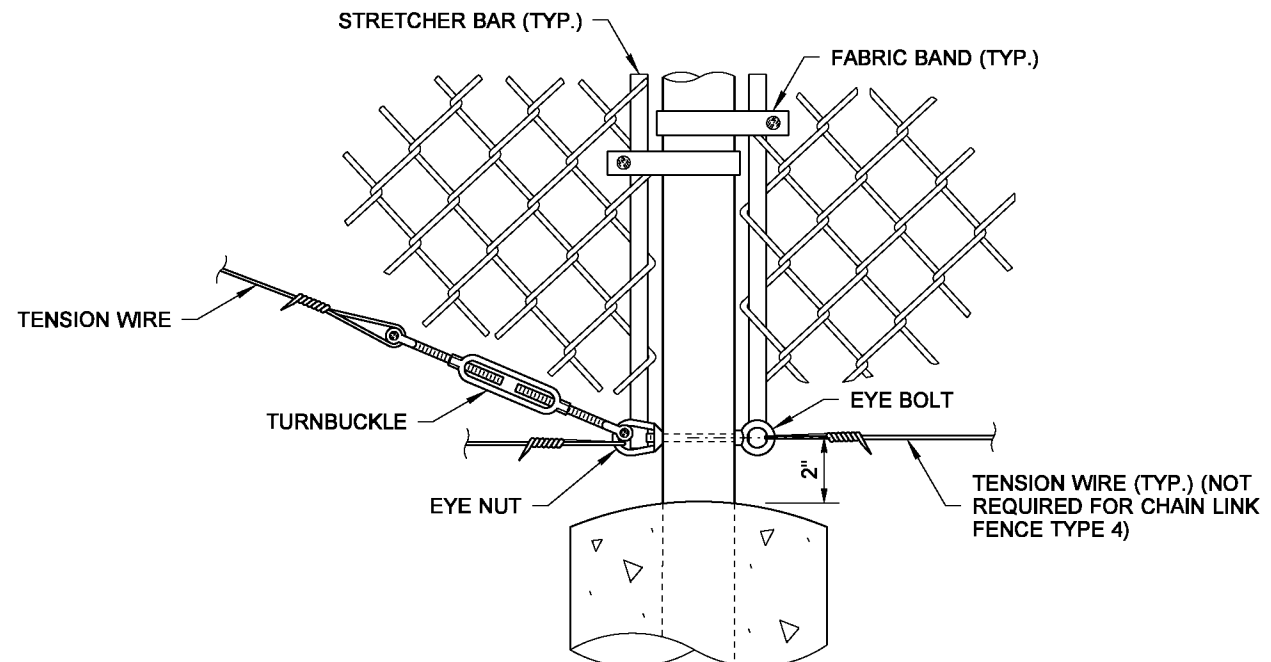
PULL POST

DETAIL B



GATE POST

DETAIL C



PULL POST

DETAIL D



**CHAIN LINK GATE**

**STANDARD PLAN L-30.10-02**

SHEET 2 OF 2 SHEETS

APPROVED FOR PUBLICATION