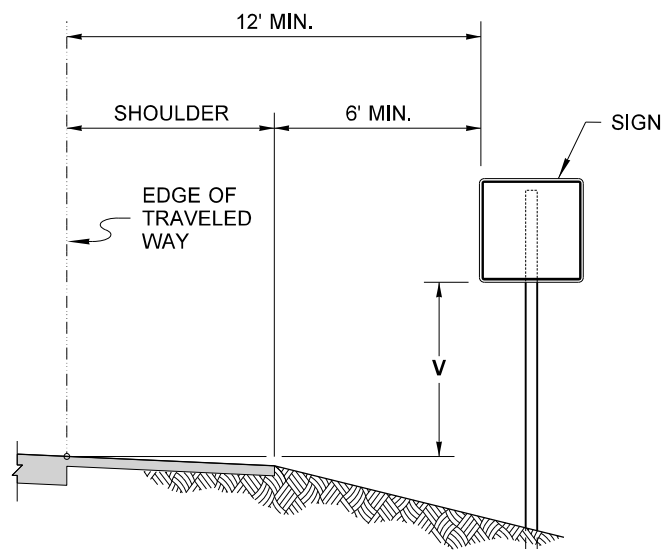
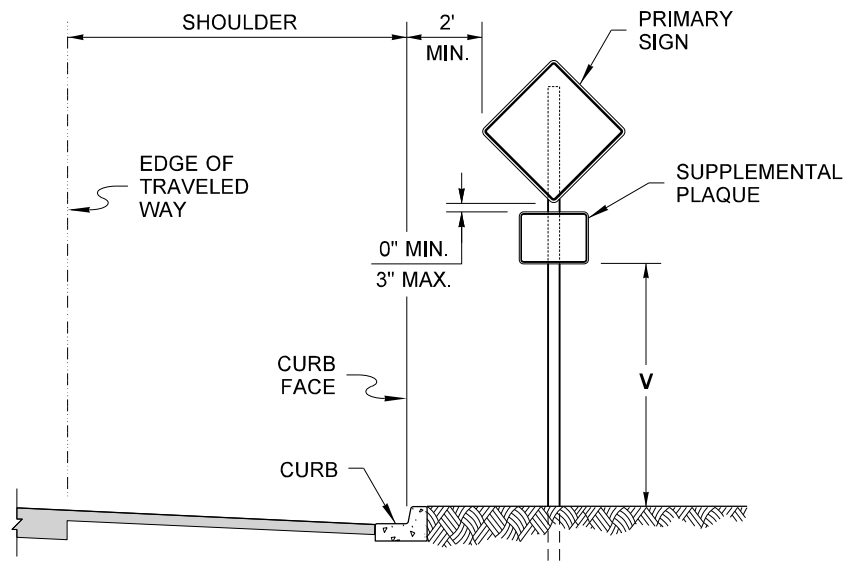


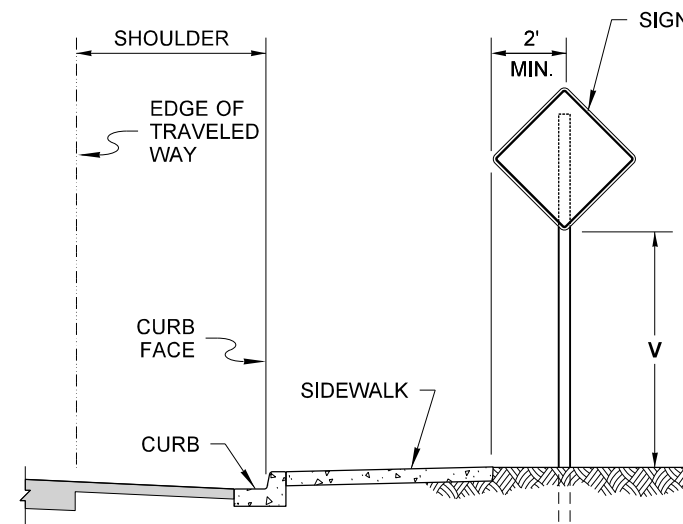
DRAWN BY: FERN LIDDELL



**SIGN INSTALLATION
(FILL SECTION)**



**SIGN INSTALLATION
(CURB SECTION)**

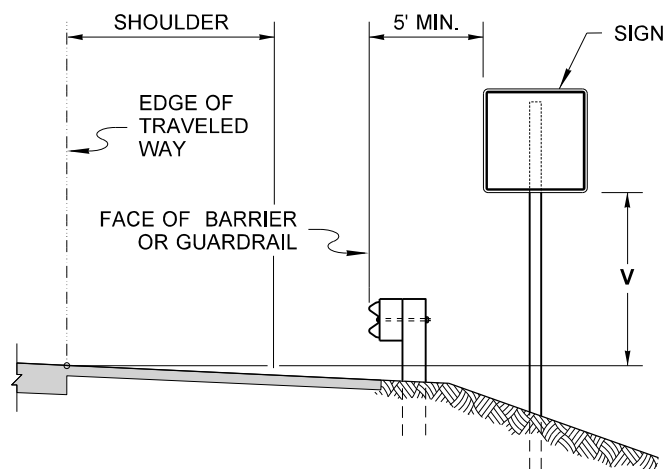


**SIGN INSTALLATION
(SIDEWALK AND CURB SECTION)**

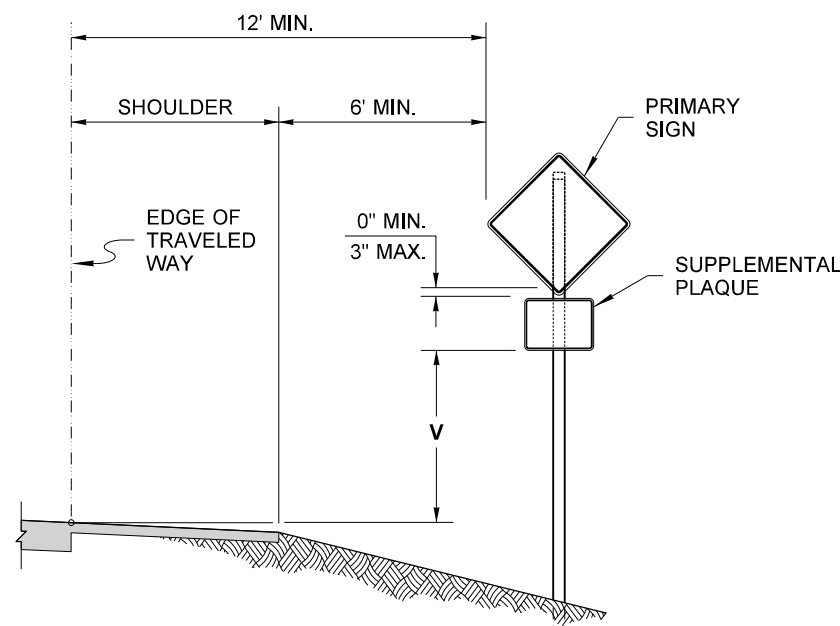
NOTES

1. For sign installation details, see **Standard Plan G - series**.
2. Where it is impractical to locate a sign with the lateral offset, a minimum of 2'(ft) offset may be used. A 1'(ft) lateral offset may be used in business, commercial or residential areas.
3. The "V" height for signs, with an area of more than 50 square feet and two or more sign supports, is 7 feet in both rural and urban areas.

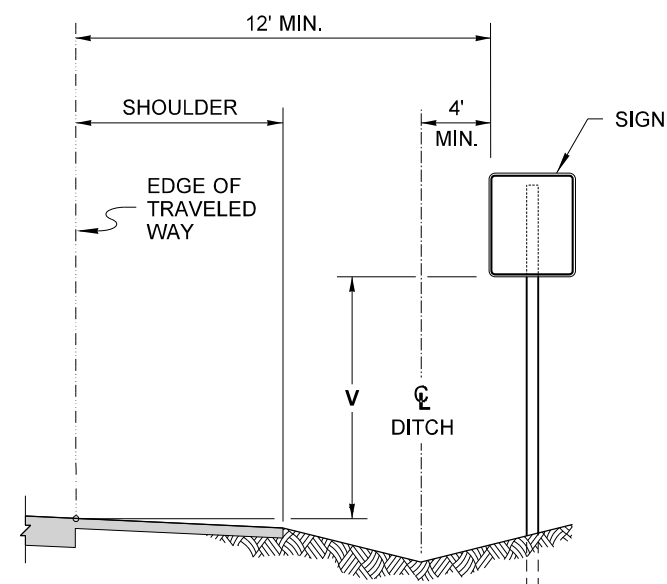
HEIGHT V		
	TO BOTTOM OF SIGN (NO SUPPLEMENTAL PLAQUE)	TO BOTTOM OF SUPPLEMENTAL PLAQUE (WHEN REQUIRED)
RURAL	5' MINIMUM	4' MINIMUM
URBAN	7' MINIMUM	6' MINIMUM



**SIGN INSTALLATION
(BEHIND TRAFFIC BARRIER)**



**SIGN WITH SUPPLEMENTAL
PLAQUE INSTALLATION
(FILL SECTION)**



**SIGN INSTALLATION
(DITCH SECTION)**



Brian Walsh 2020.09.23 13:48:58
-07'00'

**CLASS A
CONSTRUCTION SIGNING
INSTALLATION
STANDARD PLAN K-80.10-02**

SHEET 1 OF 1 SHEET

APPROVED FOR PUBLICATION
Date: 2020.09.25
14:46:01 -07'00'
STATE DESIGN ENGINEER
Washington State Department of Transportation