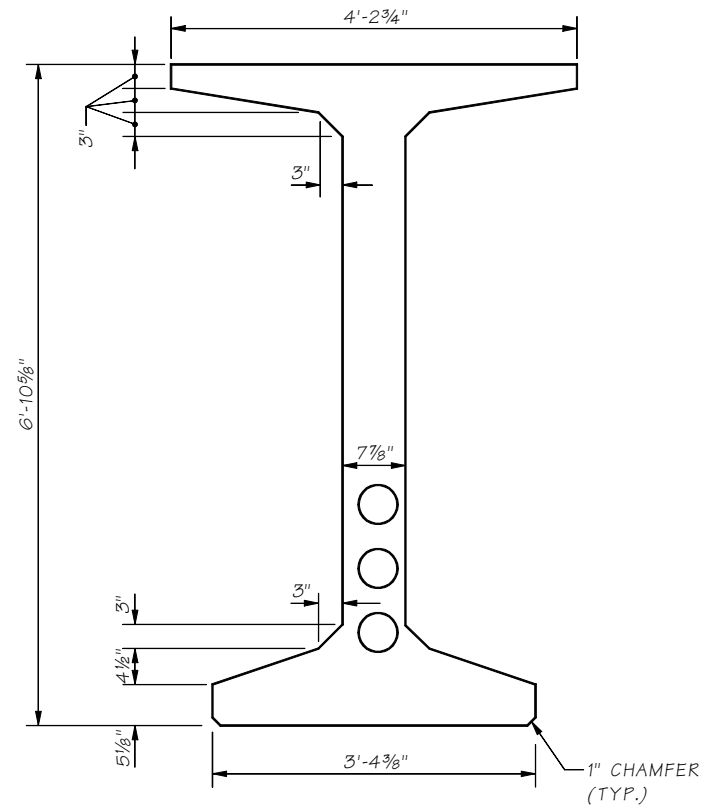
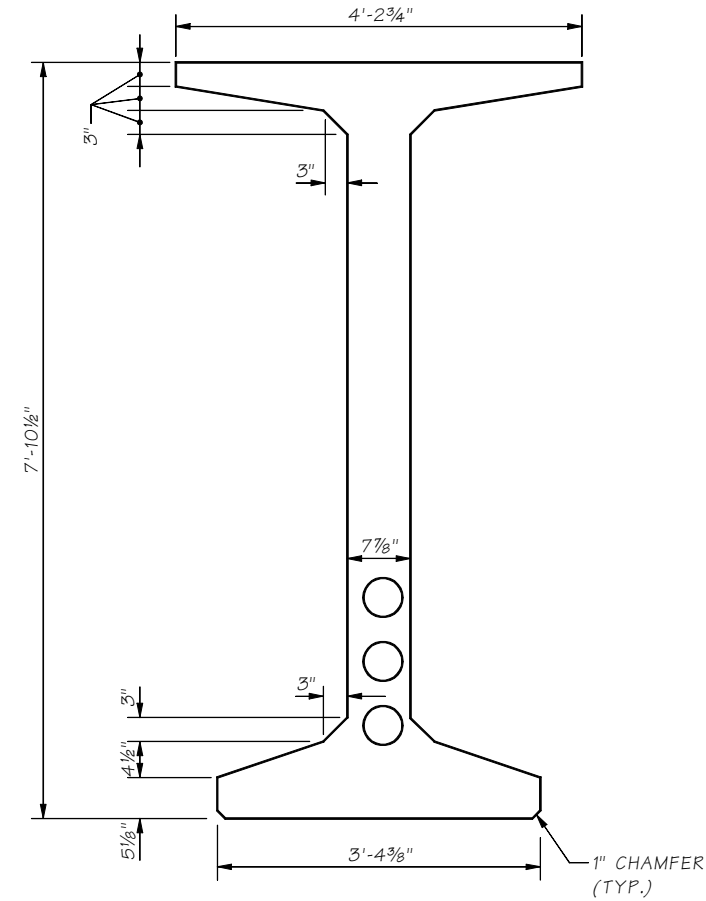


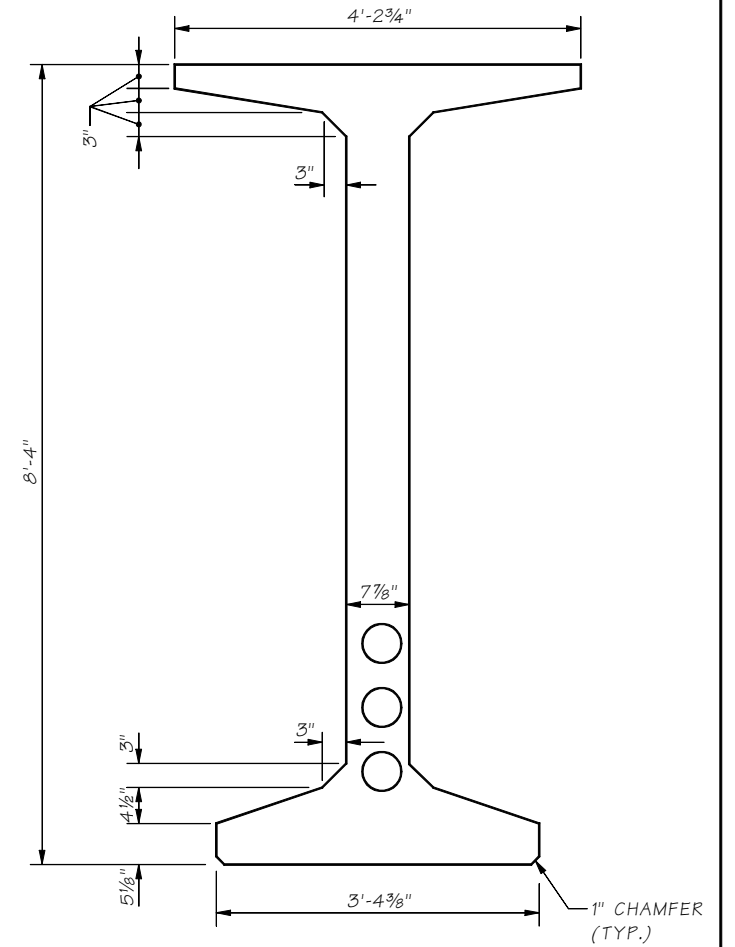
WF74PTG



WF83PTG



WF95PTG



WF100PTG

PRECAST POST-TENSIONED SPLICED I-GIRDERS

SR JOB NO. 0000 SHEET 0

Bridge Design Engr.	M:\Y-Team\BDM Drawings>window files\Spliced WF Girder Sections.WND					REGION NO.	STATE	FED. AID PROJ. NO.	SHEET NO.	TOTAL SHEETS
Supervisor						10	WASH.			
Designed By						JOB NUMBER				
Checked By										
Detailed By										
Bridge Projects Engr.										
Prelim. Plan By										
Architect/Specialist	DATE	REVISION	BY	APPD						

BRIDGE
AND
STRUCTURES
OFFICE



STANDARD
PRESTRESSED CONCRETE GIRDERS

SPLICED WIDE FLANGE
GIRDER SECTIONS

BRIDGE SHEET NO.
SHEET
OF
SHEETS