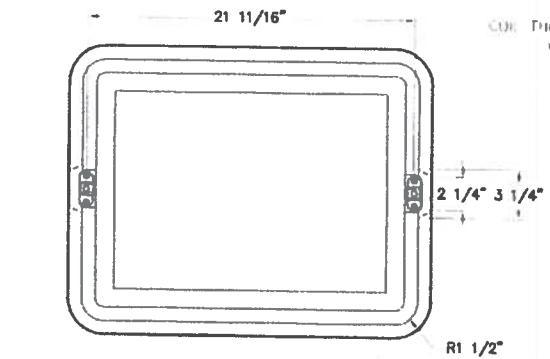
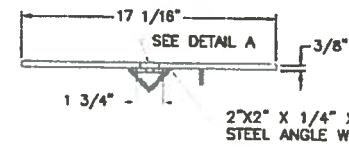
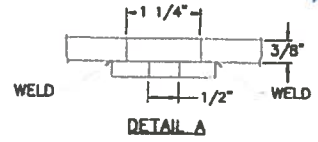
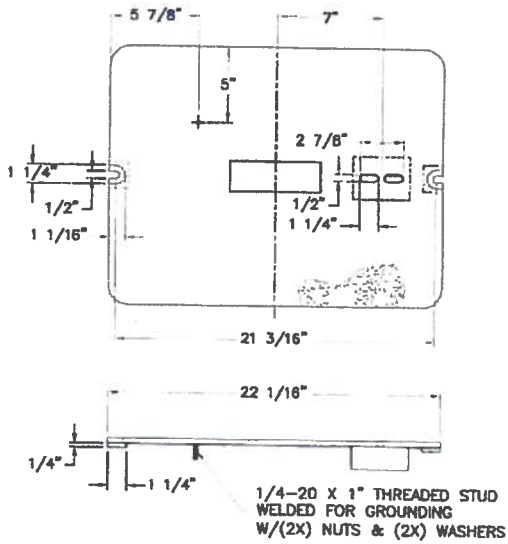
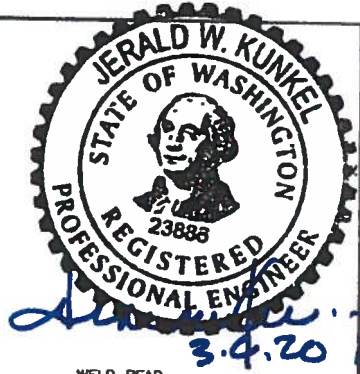
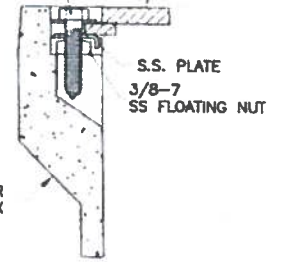


APPROVED AS NOTED

Washington State Department of Transportation
 HQ Traffic Operations Office
 BY: [Signature] DATE: 3/13/2020

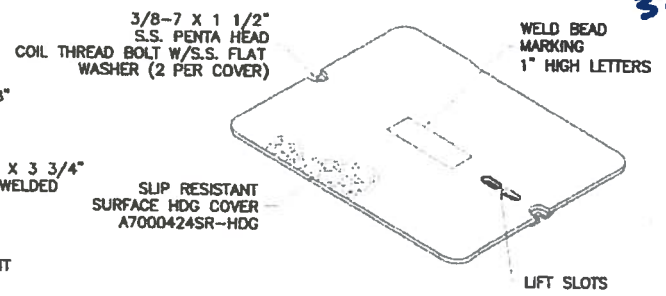
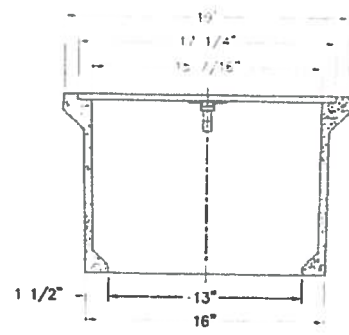


S.S. PENTA HEAD COIL THREAD BOLT W/S.S. FLAT WASHER (2 PER COVER)
 SLIP RESISTANT HDG COVER

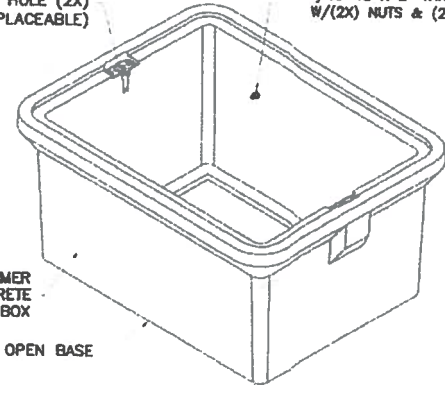


POLYMER CONCRETE BOX

FLOATING NUT DETAIL (SIDE VIEW)



FLOATING NUT W/CLEAN OUT HOLE (2X) (FIELD REPLACEABLE)
 5/16-18 X 2" THREADED STUD W/(2X) NUTS & (2X) WASHERS



POLYMER CONCRETE BOX

OPEN BASE

NOTE: BOX PART NUMBER STAMP SHALL READ: TYPE 1 -A600424A

WSDOT TYPE 1

LOADING:
 ANSI/SCTE 77 TIER 15 LOADING &
 22,500 lbs. OVER 10" X 10" AREA

FILE NO. A6-0424ASR-HDG WSDOT

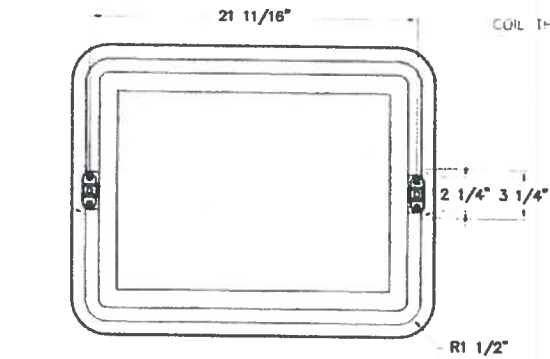
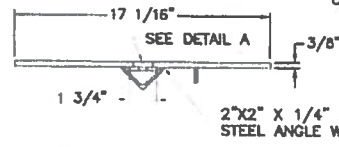
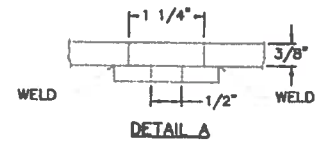
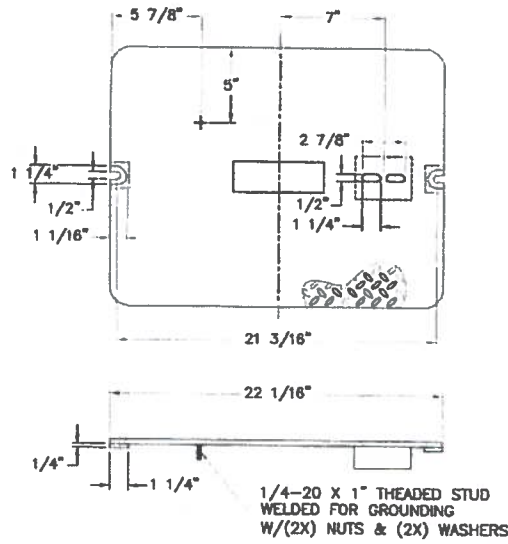
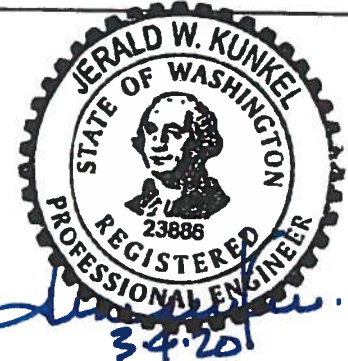
SLIP RESISTANT HOT DIPPED GALVANIZED COVER

13230 Solley Street, North Hollywood, CA 91605 (818) 982-3600		PART DESCRIPTION 13" X 18" X 12" POLYMER CONCRETE BOX & COVER ASSEMBLY	
CUSTOMER WSDOT		MAX LOAD TIER 15 (22,500 lbs.)	
DRAWN OA	DATE 1/20	SCALE NONE	DRAWING NUMBER A6000424ASR-HDG
APP'D WS	DATE 1/20	MATERIAL RPM, HDG STEEL	
<small>*THE INFORMATION IN THIS DRAWING IS CONFIDENTIAL. THE DRAWING IS NOT TO BE REPRODUCED OR ITS CONTENTS DIVULGED IN ANY WAY WHATSOEVER EXCEPT WITH THE PRIOR WRITTEN APPROVAL OF ARMORCAST PRODUCTS COMPANY. IT IS THE PROPERTY OF AND MUST BE RETURNED TO ARMORCAST PRODUCTS COMPANY, 13230 SOLLEY STREET, NORTH HOLLYWOOD, CALIFORNIA 91605.</small>			

APPROVED AS NOTED

Washington State Department of Transportation
 HQ Traffic Operations Office

BY: [Signature] DATE: 3/13/2020



S.S. PENTA HEAD
 COIL THREAD BOLT W/S.S. FLAT
 WASHER (2 PER COVER)

HDG STEEL DIAMOND
 PLATE COVER
 A7000424D-HDG

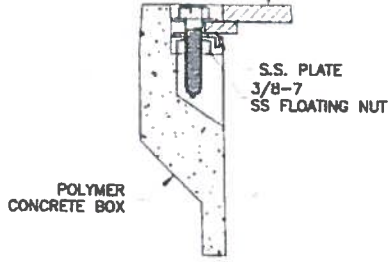
3/8-7 X 1 1/2"
 S.S. PENTA HEAD
 COIL THREAD BOLT W/S.S. FLAT
 WASHER (2 PER COVER)

WELD BEAD
 MARKING
 1" HIGH LETTERS

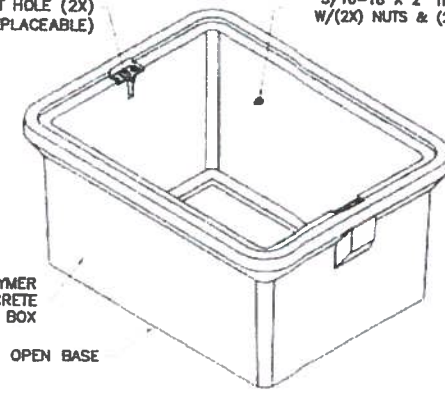


FLOATING NUT
 W/CLEAN OUT HOLE (2X)
 (FIELD REPLACEABLE)

5/16-18 X 2" THEADED STUD
 W/(2X) NUTS & (2X) WASHERS

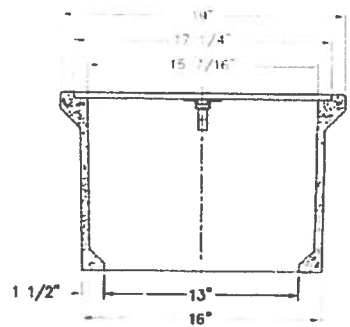
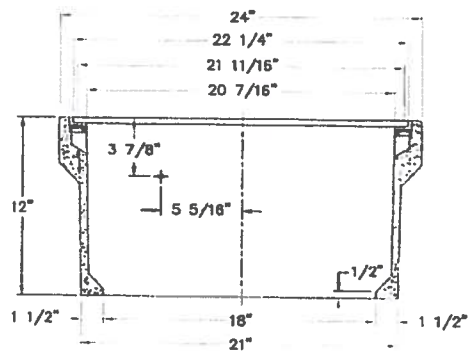


floating nut
 DETAIL (SIDE VIEW)



POLYMER
 CONCRETE
 BOX

OPEN BASE



**NOTE: BOX PART NUMBER STAMP SHALL READ:
 TYPE 1 -A600424A**

WSDOT TYPE 1

LOADING:
 ANSI/SCTE 77 TIER 15 LOADING &
 22,500 lbs. OVER 10" X 10" AREA

FILE NUMBER
 A6000424AD-HDG WSDOT

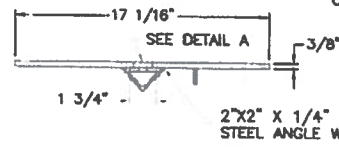
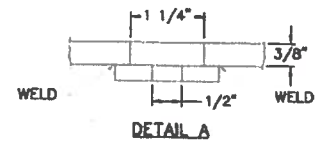
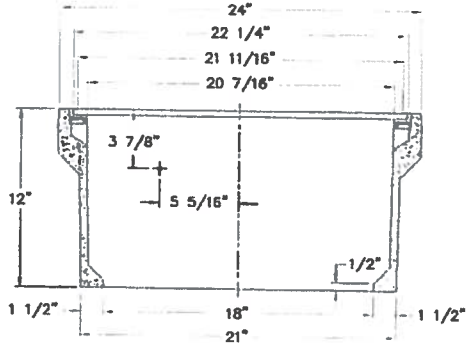
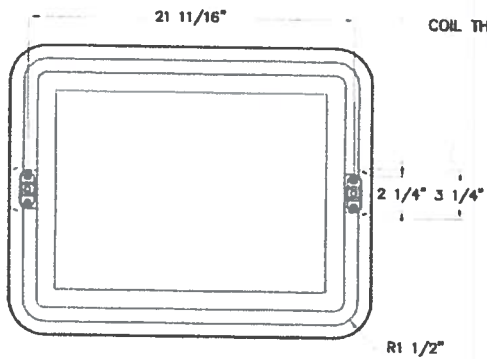
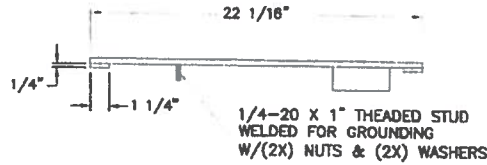
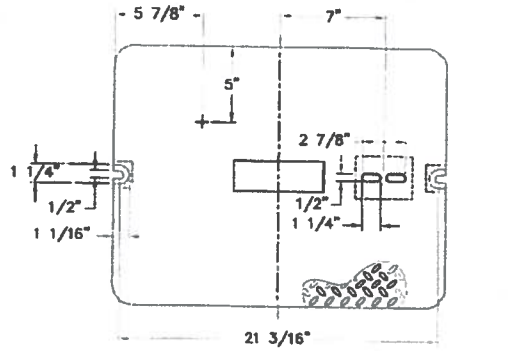
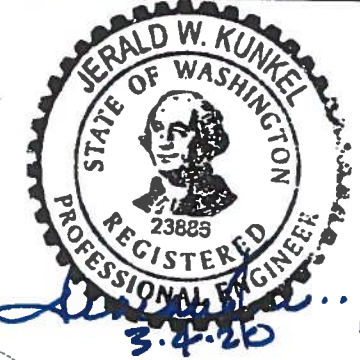
DIAMOND PLATE HOT DIPPED GALVANIZED COVER

13230 Salsbery Street, North Hollywood, CA 91605 (818) 982-3600		PART DESCRIPTION 13" X 18" X 12" POLYMER CONCRETE BOX & COVER ASSEMBLY	
CUSTOMER WSDOT		SCALE NONE	
BRASS OA	DATE 1/20	SCALE NONE	MAX. LOAD TIER 15 (22,500 lbs.)
APPROX. WS	DATE 1/20	MATERIAL RPM, HDG STEEL	DRAWING NUMBER A6000424AD-HDG
<small>THE INFORMATION IN THIS DRAWING IS CONFIDENTIAL. THE DRAWING IS NOT TO BE REPRODUCED OR ITS CONTENTS UNRAILED IN ANY WAY WITHOUT THE WRITTEN APPROVAL OF ARMORCAST PRODUCTS COMPANY. IT IS THE PROPERTY OF AND MUST BE RETURNED TO ARMORCAST PRODUCTS COMPANY, 13230 SALSBERY STREET, NORTH HOLLYWOOD, CALIFORNIA 91605.</small>			

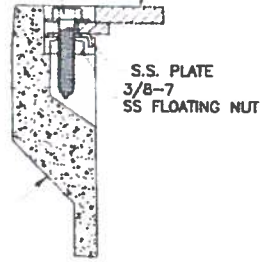
APPROVED AS NOTED

Washington State Department of Transportation
 HQ Traffic Operations Office

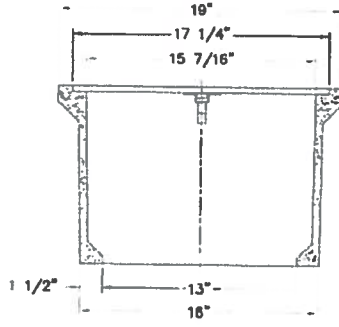
BY: [Signature] DATE: 3/13/2020



S.S. PENTA HEAD
 COIL THREAD BOLT W/S.S. FLAT
 WASHER (2 PER COVER)

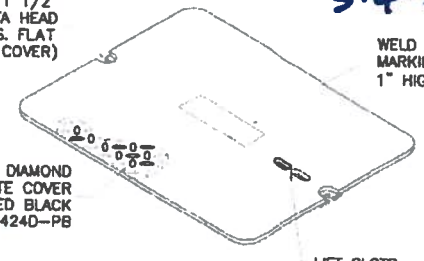


FLOATING NUT
 DETAIL (SIDE VIEW)

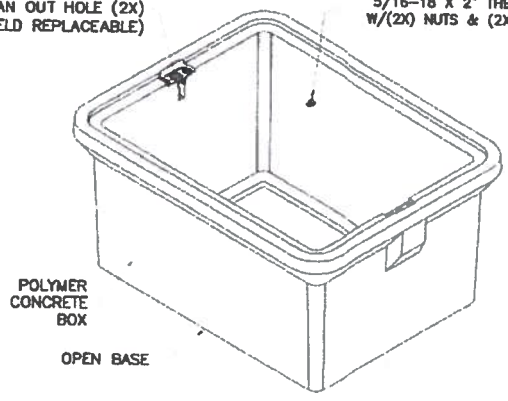


3/8-7 X 1 1/2"
 S.S. PENTA HEAD
 COIL THREAD BOLT W/S.S. FLAT
 WASHER (2 PER COVER)

STEEL DIAMOND
 PLATE COVER
 PAINTED BLACK
 A7000424D-PB



FLOATING NUT
 W/CLEAN OUT HOLE (2X)
 (FIELD REPLACEABLE)



POLYMER
 CONCRETE
 BOX

OPEN BASE

**NOTE: BOX PART NUMBER STAMP SHALL READ:
 TYPE 1 -A600424A**

WSDOT TYPE 1

LOADING:
 ANSI/SCTE 77 TIER 15 LOADING &
 22,500 lbs. OVER 10" X 10" AREA

A6000424AD-PB WSDOT

DIAMOND PLATE COVER PAINTED BLACK

13230 Solency Street, North Hollywood, CA 91605 (818) 982-3600 AMERICAST PRODUCTS COMPANY		PART DESCRIPTION 13" X 18" X 12" POLYMER CONCRETE BOX & COVER ASSEMBLY	
CUSTOMER WSDOT			
DRAWN OA	DATE 1/20	SCALE NONE	MAX. LOAD TIER 15 (22,500 lbs.) DRAWING NUMBER
APPROV. WS	DATE 1/20	MATERIAL RPM, STEEL	A6000424AD-PB