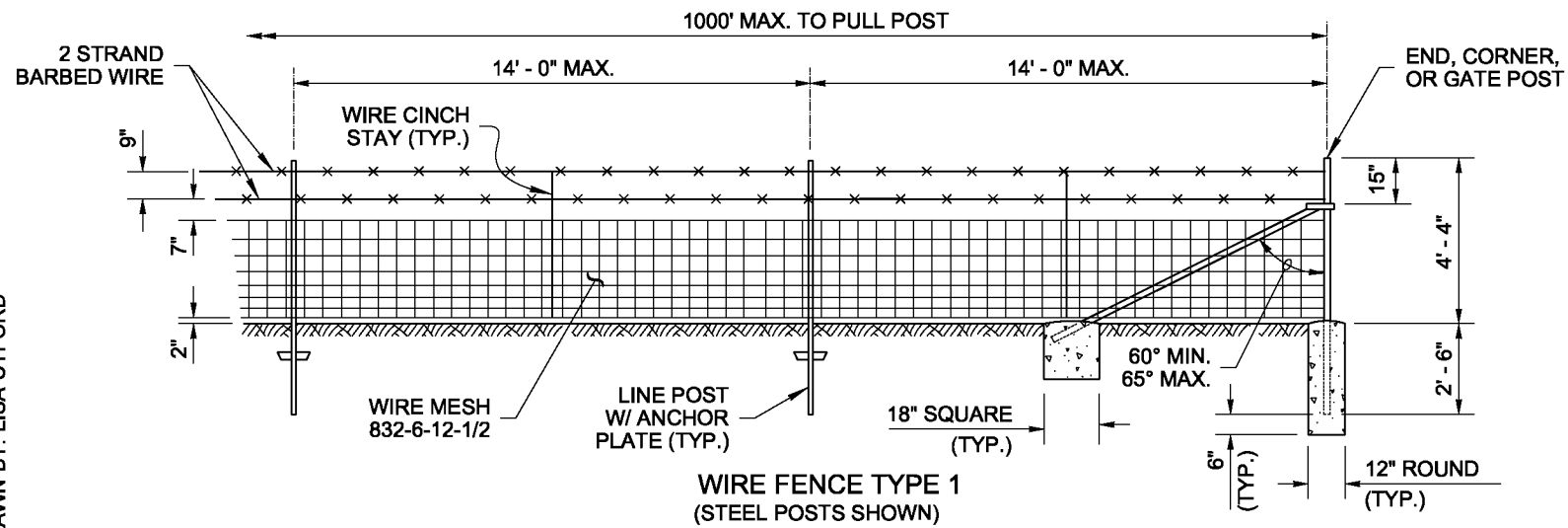
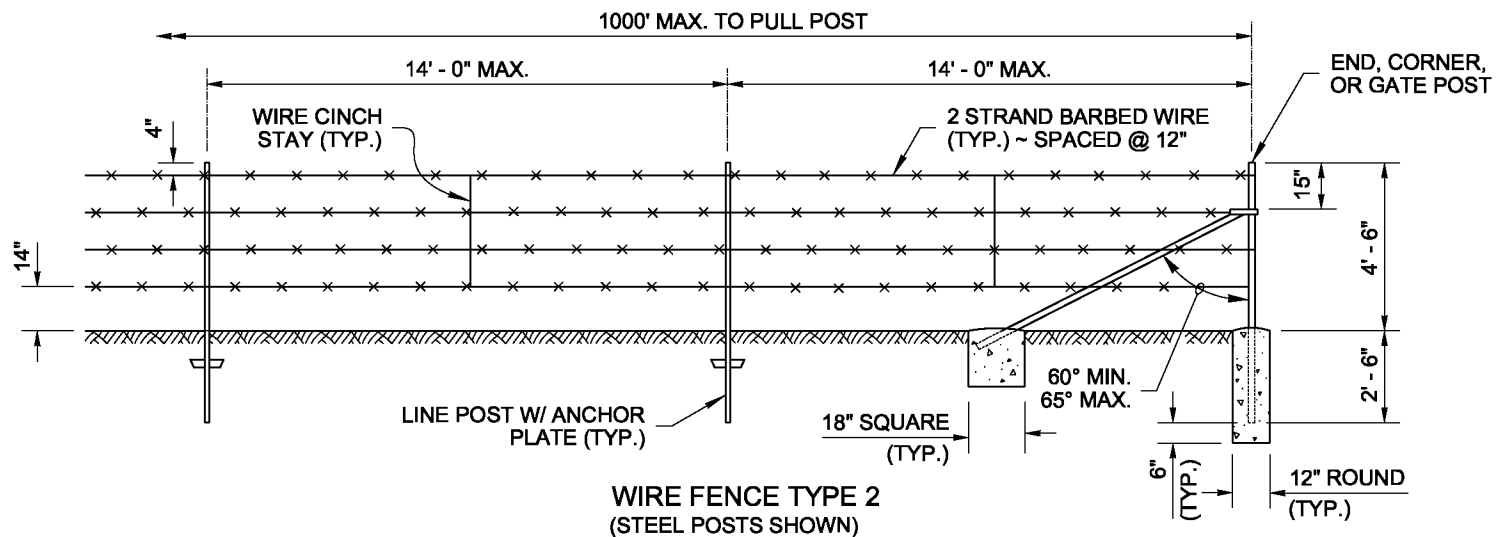


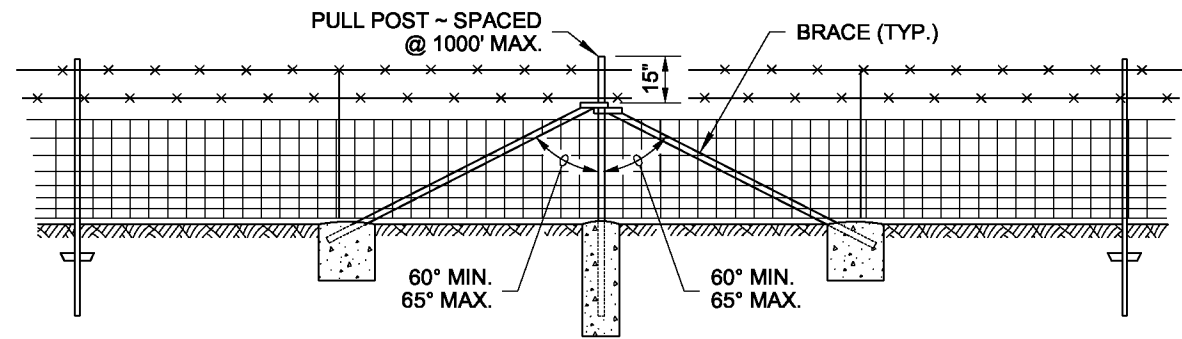
DRAWN BY: LISA CYFORD



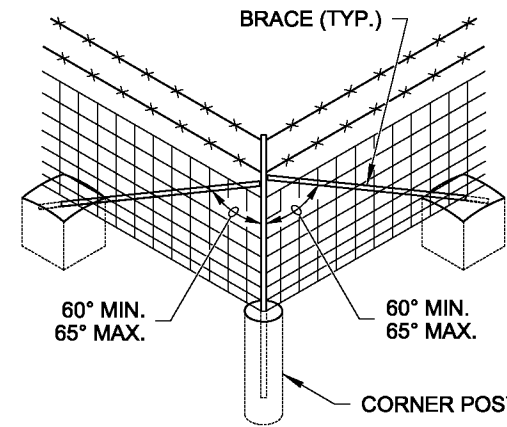
WIRE FENCE TYPE 1
(STEEL POSTS SHOWN)



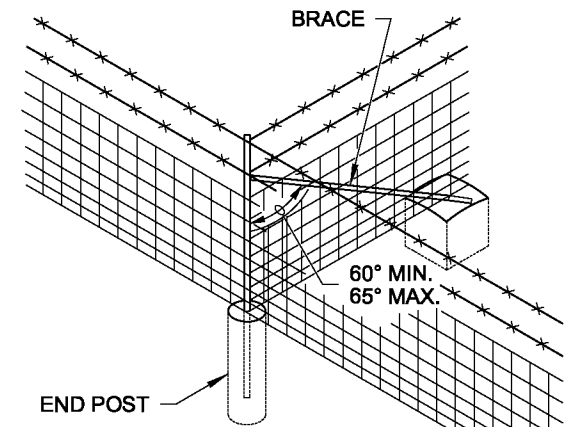
WIRE FENCE TYPE 2
(STEEL POSTS SHOWN)



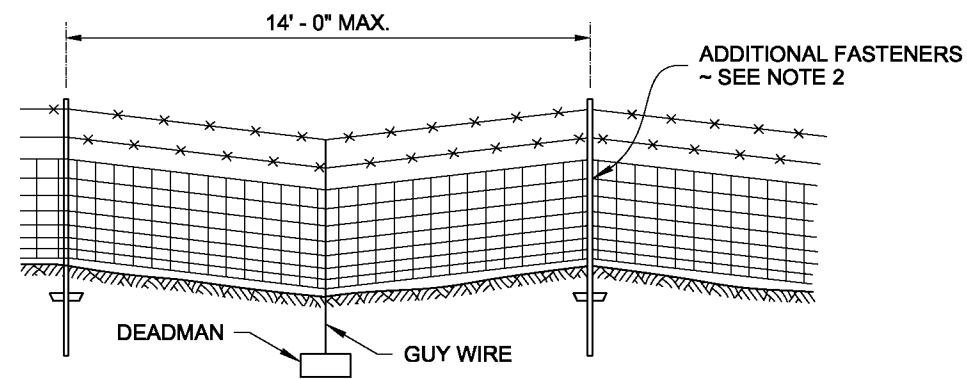
INTERMEDIATE BRACING/PULL POST
(SHOWN FOR WIRE FENCE TYPE 1)



CORNER BRACING
(SHOWN FOR WIRE FENCE TYPE 1)



INTERSECTION BRACING
(SHOWN FOR WIRE FENCE TYPE 1)



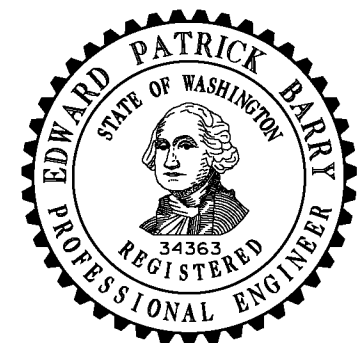
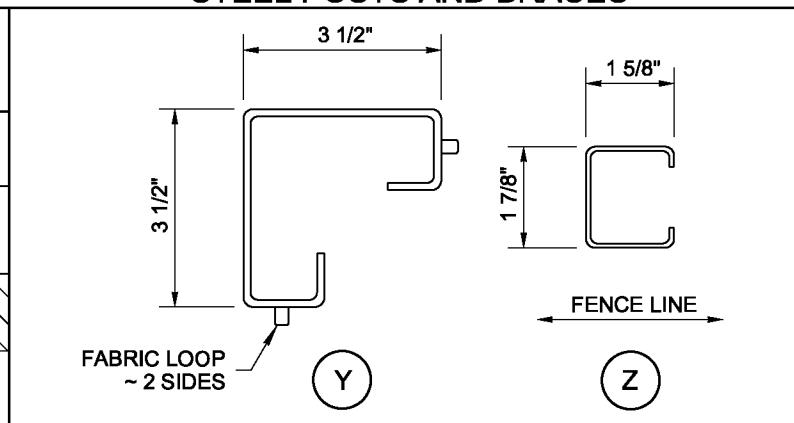
GRADE DEPRESSION (SAG) DETAIL
(STEEL POSTS SHOWN)

NOTES

1. The bracing and pull post details for Wire Fence Type 2 are the same as for Type 1.
2. Attach the wire mesh to the posts using four fasteners. Three additional fasteners per post are required within and at the limits of sag conditions. Use additional fasteners on posts that mark the angle point of any sudden change in topography.
3. See Standard Specification 9-16.2(1) for wood post sizes. Wood anchors (for wood posts) shall be 2 x 4 lumber, 12" long minimum, and fastened with three 16d galvanized nails.

STEEL POSTS AND BRACES

POST SPECIFICATIONS				
POST	PIPE	ROLL FORMED		T-POST
	NOM. SIZE (SCH. 40) I.D.	SECTION	WEIGHT (lb/ft)	WEIGHT (lb/ft)
END, CORNER, OR PULL POST	2" DIAM.	(Y)	5.10	
LINE OR BRACE POST	2" DIAM.	(Z)	1.85	1.33



NOTE: THIS PLAN IS NOT A LEGAL ENGINEERING DOCUMENT UNTIL ELECTRONICALLY SIGNED BY THE ENGINEER AND APPROVED FOR PUBLICATION. IT MUST BE FILED AT THE WASHINGTON STATE DEPARTMENT OF TRANSPORTATION. A COPY MAY BE OBTAINED UPON REQUEST.

WIRE FENCE TYPES 1 & 2 AND WIRE GATES

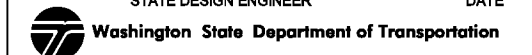
STANDARD PLAN L-10.10-02

SHEET 1 OF 2 SHEETS

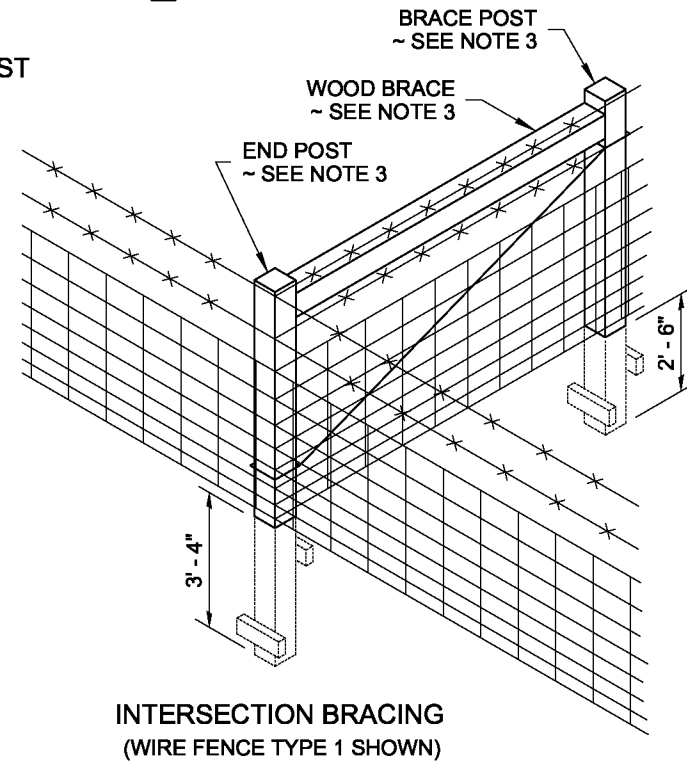
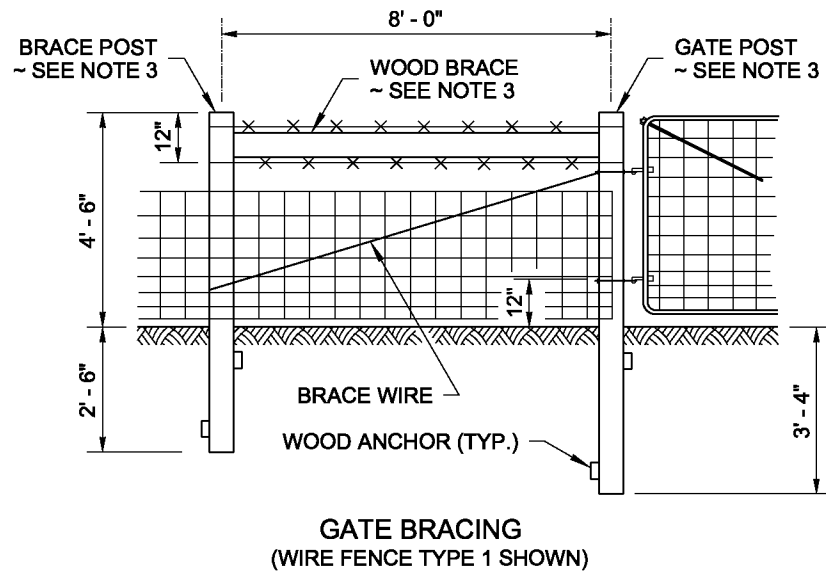
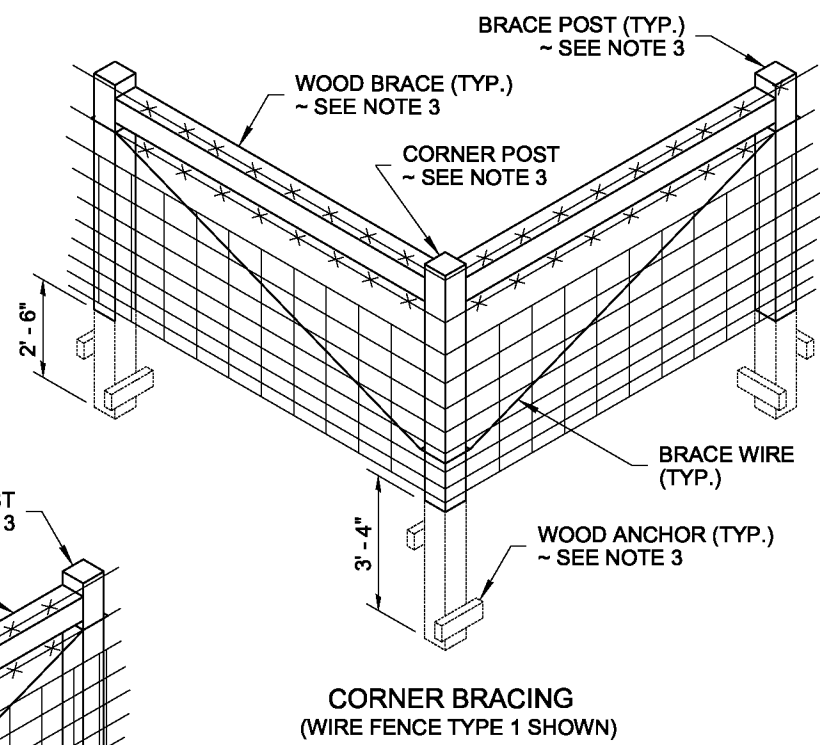
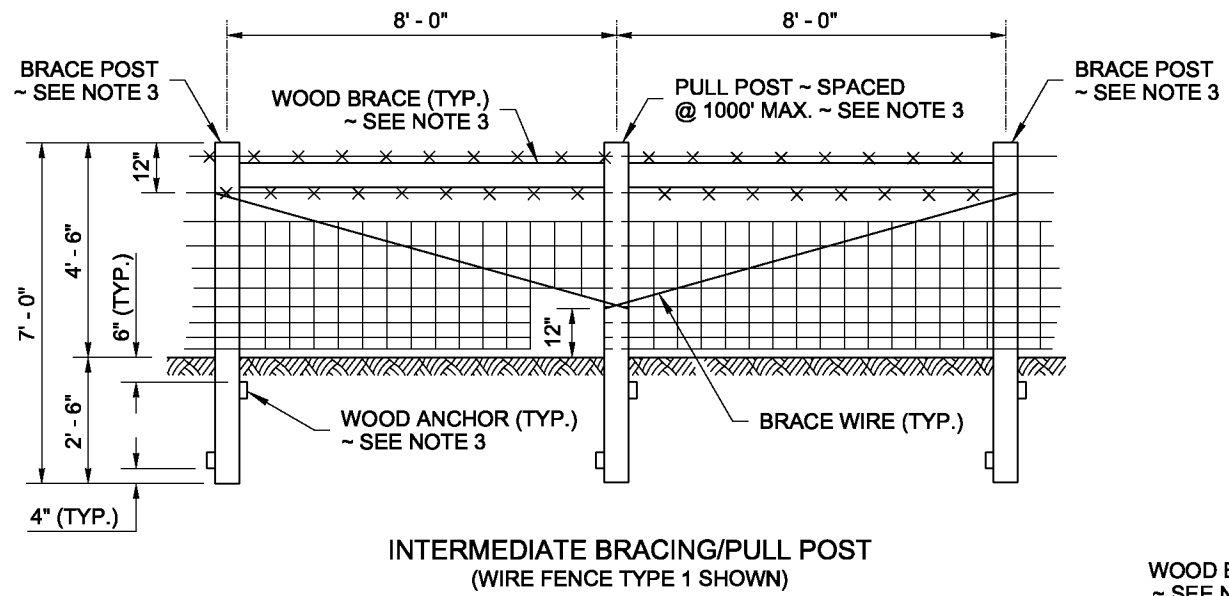
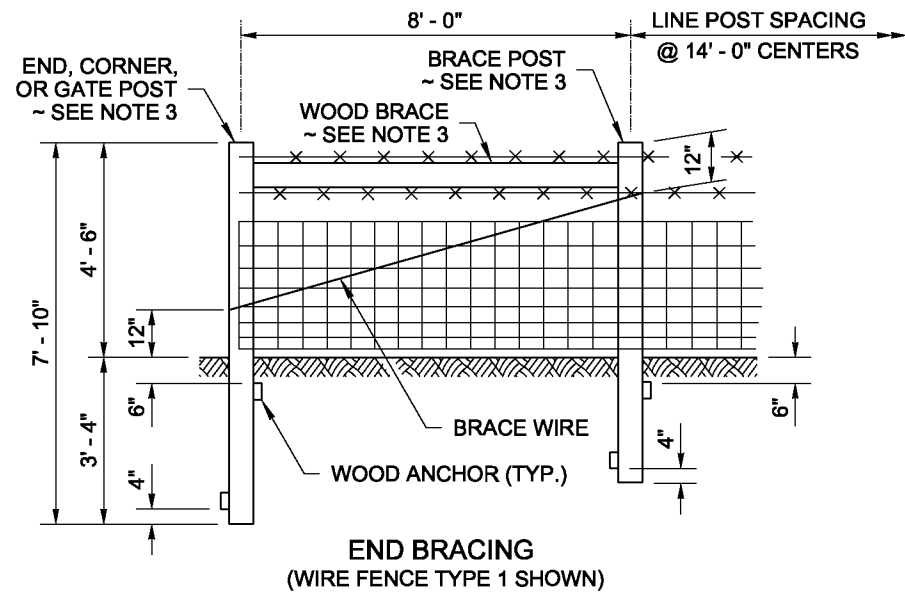
APPROVED FOR PUBLICATION

Pasco Bakotich III 06/21/12

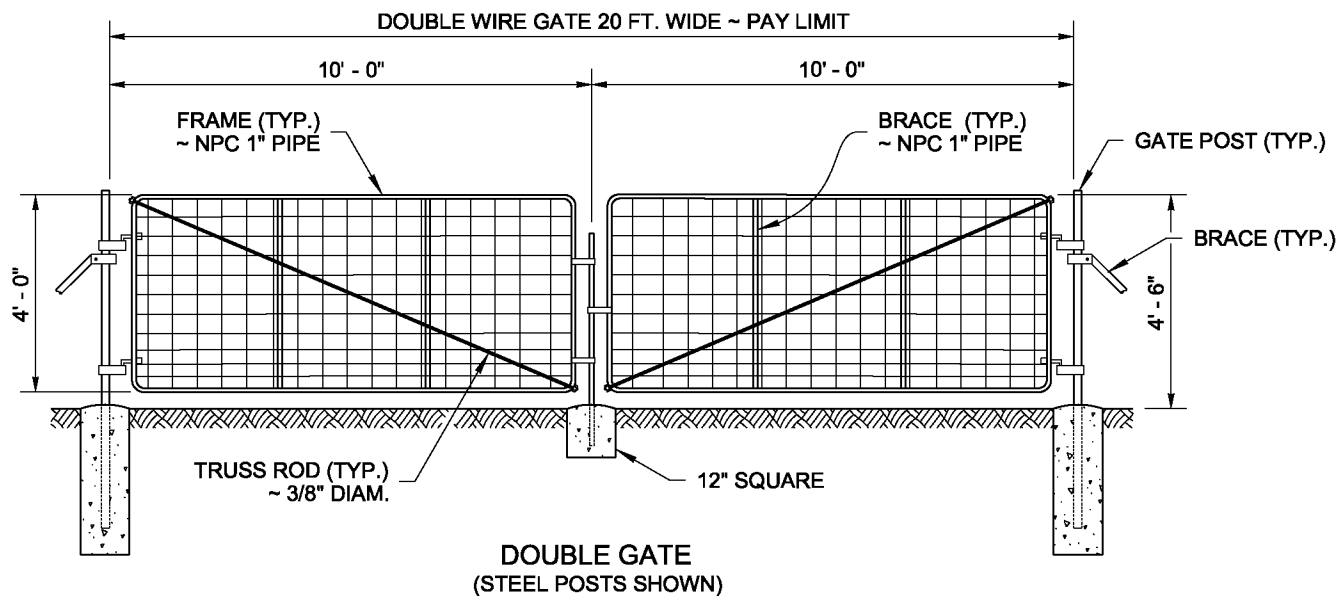
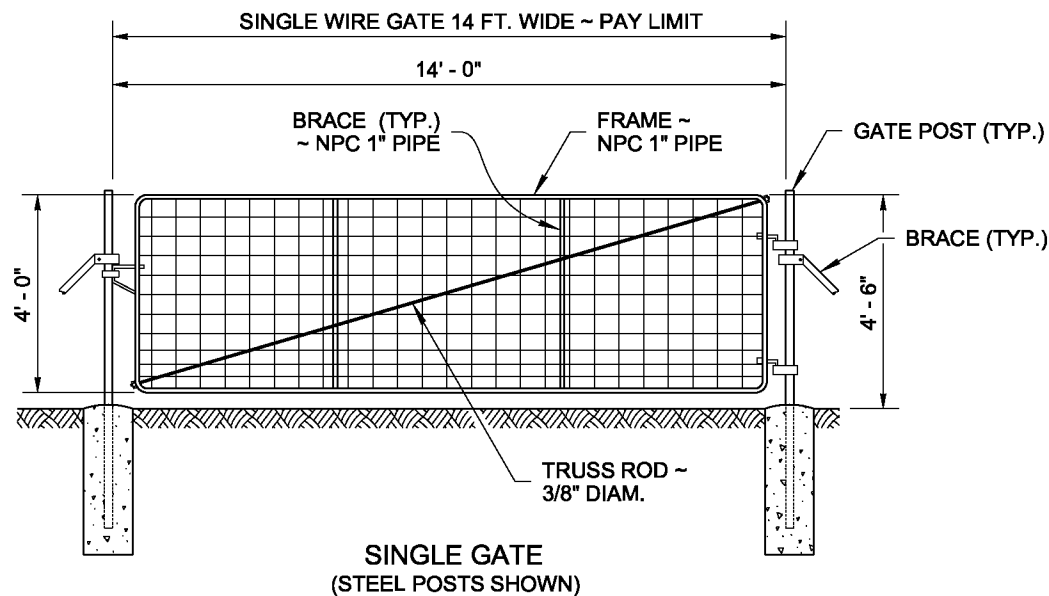
STATE DESIGN ENGINEER DATE



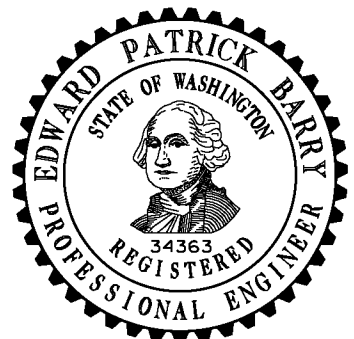
DRAWN BY: LISA CYFORD



WOOD POSTS AND BRACES



GATES



NOTE: THIS PLAN IS NOT A LEGAL ENGINEERING DOCUMENT UNTIL ELECTRONICALLY SIGNED BY THE ENGINEER AND APPROVED FOR PUBLICATION. IT IS THE ENGINEER'S RESPONSIBILITY TO FILE AT THE WASHINGTON STATE DEPARTMENT OF TRANSPORTATION. A COPY MAY BE OBTAINED UPON REQUEST.

**WIRE FENCE TYPES 1 & 2
AND WIRE GATES**
STANDARD PLAN L-10.10-02

SHEET 2 OF 2 SHEETS

APPROVED FOR PUBLICATION

Pasco Bakotich III 06/21/12
STATE DESIGN ENGINEER DATE

